



FCC RADIO TEST REPORT

FCC ID : A4RG025J
Equipment : Phone
Model Name : G025J, G025N, G025M
Applicant : Google LLC
1600 Amphitheatre Parkway,
Mountain View, California, 94043 USA
Standard : FCC Part 15 Subpart C §15.225

The product was received on Jan. 17, 2020 and testing was started from Jan. 14, 2020 and completed on Feb. 21, 2020. We, SPORTON INTERNATIONAL INC., EMC & Wireless Communications Laboratory, would like to declare that the tested sample has been evaluated in accordance with the test procedures and has been in compliance with the applicable technical standards.

The report must not be used by the client to claim product certification, approval, or endorsement by TAF or any agency of government.

The test results in this report apply exclusively to the tested model / sample. Without written approval of SPORTON INTERNATIONAL INC. EMC & Wireless Communications Laboratory, the test report shall not be reproduced except in full.

Louis Wu

Reviewed by: Louis Wu

SPORTON INTERNATIONAL INC. EMC & Wireless Communications Laboratory

No. 52, Huaya 1st Rd., Guishan Dist., Taoyuan City, Taiwan (R.O.C.)



Table of Contents

History of this test report.....	3
Summary of Test Result.....	4
1. General Description	5
1.1 Product Feature of Equipment Under Test	5
1.2 Product Specification of Equipment Under Test	5
1.3 Modification of EUT	5
1.4 Testing Location	6
1.5 Applicable Standards.....	6
2. Test Configuration of Equipment Under Test.....	7
2.1 Descriptions of Test Mode	7
2.2 Connection Diagram of Test System	8
2.3 Table for Supporting Units	9
2.4 EUT Operation Test Setup	9
3. Test Results	10
3.1 AC Power Line Conducted Emissions Measurement	10
3.2 20dB and 99% OBW Spectrum Bandwidth Measurement.....	12
3.3 Frequency Stability Measurement	13
3.4 Field Strength of Fundamental Emissions and Mask Measurement.....	14
3.5 Radiated Emissions Measurement	16
3.6 Antenna Requirements.....	19
4. List of Measuring Equipment	20
5. Uncertainty of Evaluation	21
Appendix A. Test Results of Conducted Emission Test	
Appendix B. Test Results of Spectrum Bandwidth and Frequency Stability	
B1. Test Result of 20dB Spectrum Bandwidth	
B2. Test Result of Frequency Stability	
Appendix C. Test Results of Radiated Test Items	
C1. Test Result of Field Strength of Fundamental Emissions	
C2. Results of Radiated Emissions (9 kHz~30MHz)	
C3. Results of Radiated Emissions (30MHz~1GHz)	



History of this test report

Report No.	Version	Description	Issued Date
FR9D0616-05D	01	Initial issue of report	Mar. 23, 2020
FR9D0616-05D	02	Revise section 2.1	Mar. 27, 2020



Summary of Test Result

Report Clause	Ref Std. Clause	Test Items	Result (PASS/FAIL)	Remark
3.1	15.207	AC Power Line Conducted Emissions	Pass	Under limit 4.91 dB at 13.560MHz
3.2	15.215(c)	20dB Spectrum Bandwidth	Pass	-
	2.1049	99% OBW Spectrum Bandwidth	Reporting only	-
3.3	15.225(e)	Frequency Stability	Pass	-
3.4	15.225(a)(b)(c)	Field Strength of Fundamental Emissions	Pass	Max level 23.90 dB μ V/m at 13.560 MHz
3.5	15.225(d) 15.209	Radiated Spurious Emissions	Pass	Under limit 3.73 dB at 40.670MHz
3.6	15.203	Antenna Requirements	Pass	-

Declaration of Conformity:

The test results with all measurement uncertainty excluded are presented in accordance with the regulation limits or requirements declared by manufacturers.

Comments and Explanations:

The declared of product specification for EUT presented in the report are provided by the manufacturer, and the manufacturer takes all the responsibilities for the accuracy of product specification.

Reviewed by: Wii Chang

Report Producer: Amy Chen



1. General Description

1.1 Product Feature of Equipment Under Test

Product Feature	
Equipment	Phone
Model Name	G025J, G025N, G025M
EUT supports Radios application	CDMA/EV-DO/GSM/EGPRS/WCDMA/HSPA/LTE/NFC/GNSS WLAN 11b/g/n HT20 WLAN 11a/n HT20/HT40 WLAN 11ac VHT20/VHT40/VHT80 Bluetooth BR/EDR/LE
EUT Stage	Identical Prototype

Remark: The above EUT's information was declared by manufacturer.

EUT Information List	
S/N	Performed Test Item
01021FQC200299	Conducted Emission
01021FQC200308	Radiated Spurious Emission
01021FQC200285	Spectrum Bandwidth and Frequency Stability

1.2 Product Specification of Equipment Under Test

Standards-related Product Specification	
Tx/Rx Frequency	13.553 ~ 13.567MHz
Channel Number	1
Antenna Type	Loop Antenna
Type of Modulation	ASK

1.3 Modification of EUT

No modifications are made to the EUT during all test items.

1.4 Testing Location

Test Site	SPORTON INTERNATIONAL INC. EMC & Wireless Communications Laboratory	
Test Site Location	No.52, Huaya 1st Rd., Guishan Dist., Taoyuan City, Taiwan (R.O.C.) TEL: +886-3-327-3456 FAX: +886-3-328-4978	
Test Site No.	Sporton Site No.	
	TH03-HY	CO05-HY
Test Engineer	Louis Chung	Tom Lee and Howard Huang
Temperature	22~24°C	22~25°C
Relative Humidity	53~55%	45~53%

Note: The test site complies with ANSI C63.4 2014 requirement.

Test Site	SPORTON INTERNATIONAL INC. EMC & Wireless Communications Laboratory	
Test Site Location	No.58, Aly. 75, Ln. 564, Wenhua 3rd, Rd., Guishan Dist., Taoyuan City, Taiwan (R.O.C.) TEL: +886-3-327-0868 FAX: +886-3-327-0855	
Test Site No.	Sporton Site No.	
	03CH11-HY	
Test Engineer	Troye Hsieh	
Temperature	18.9~24.6°C	
Relative Humidity	40.3~68.5%	

Note: The test site complies with ANSI C63.4 2014 requirement.

FCC designation No.: TW1190 and TW0007

1.5 Applicable Standards

According to the specifications of the manufacturer, the EUT must comply with the requirements of the following standards:

- ♦ FCC Part 15 Subpart C §15.225
- ♦ FCC KDB 414788 D01 Radiated Test Site v01r01
- ♦ ANSI C63.10-2013



2. Test Configuration of Equipment Under Test

2.1 Descriptions of Test Mode

Investigation has been done on all the possible configurations.

The following table is a list of the test modes shown in this test report.

Test Items	
AC Power Line Conducted Emissions	Field Strength of Fundamental Emissions
20dB Spectrum Bandwidth	Frequency Stability
Radiated Emissions 9kHz~30MHz	Radiated Emissions 30MHz~1GHz

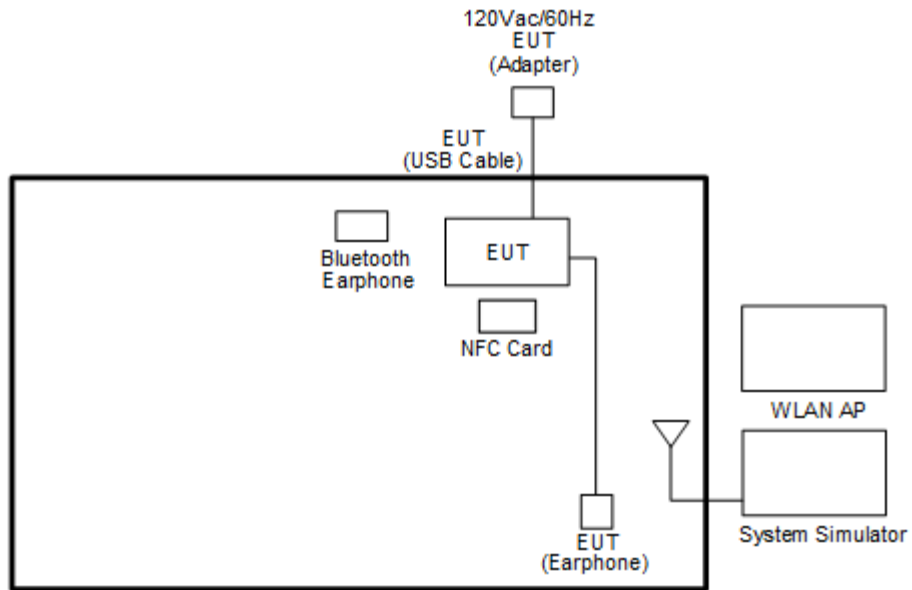
The EUT pre-scanned in reader mode with NFC tag (four NFC type A, B, F, V) and without NFC tag. Based on the highest field strength of fundamental and spurious emissions, the worst case type (type F) was recorded in this report.

Pre-scanned tests, X, Y, Z in three orthogonal panels to determine the final configuration (Z plane as worst plane) from all possible combinations.

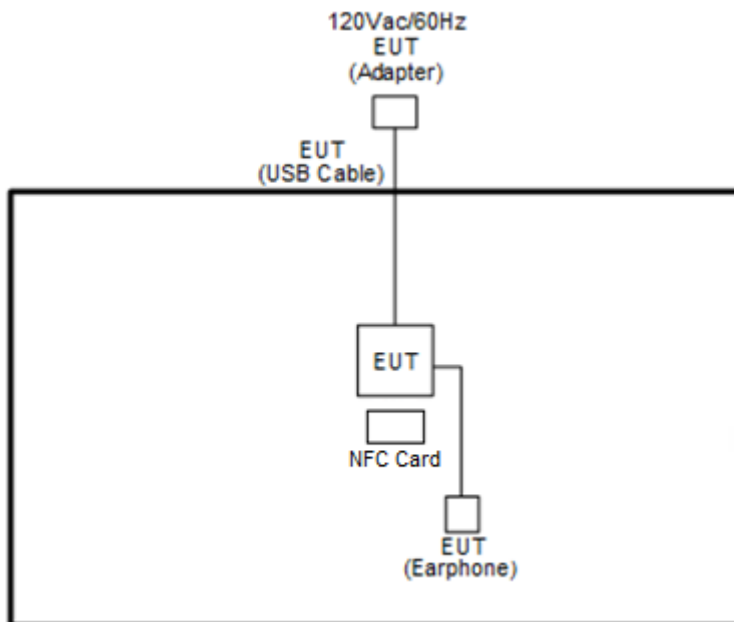
Test Cases	
AC Conducted Emission	Mode 1 : GSM850 Idle + Bluetooth Idle + WLAN Idle + NFC Read + 3.5mm AJ headset + USB Cable 2 (Charging from Adapter 2)
Remark: For Radiated Test Cases, the tests were performed with Adapter 1, Battery 1 and USB Cable 2.	

2.2 Connection Diagram of Test System

<AC Conducted Emission Mode>



<Radiated Emission Mode>





2.3 Table for Supporting Units

Item	Equipment	Trade Name	Model Name	FCC ID	Data Cable	Power Cord
1.	System Simulator	R&S	CMU 200	N/A	N/A	Unshielded, 1.8 m
2.	Bluetooth Earphone	Google	G015B, G015C	SZGG015B	N/A	N/A
3.	WLAN AP	ASUS	RT-AC66U	MSQ-RTAC66U	N/A	Unshielded,1.8m
4.	NFC Card	N/A	N/A	N/A	N/A	N/A

2.4 EUT Operation Test Setup

The EUT was programmed to be in continuously transmitting mode.

The ancillary equipment, NFC card, is used to make the EUT (NFC) continuously transmit at 13.56MHz and is placed around 4 cm gap to the EUT.



3. Test Results

3.1 AC Power Line Conducted Emissions Measurement

3.1.1 Limit of AC Conducted Emission

For equipment that is designed to be connected to the public utility (AC) power line, the radio frequency voltage that is conducted back onto the AC power line on any frequency or frequencies within the band 150 kHz to 30 MHz shall not exceed the limits in the following table.

Frequency of Emission (MHz)	Conducted Limit (dB μ V)	
	Quasi-Peak	Average
0.15-0.5	66 to 56*	56 to 46*
0.5-5	56	46
5-30	60	50

*Decreases with the logarithm of the frequency.

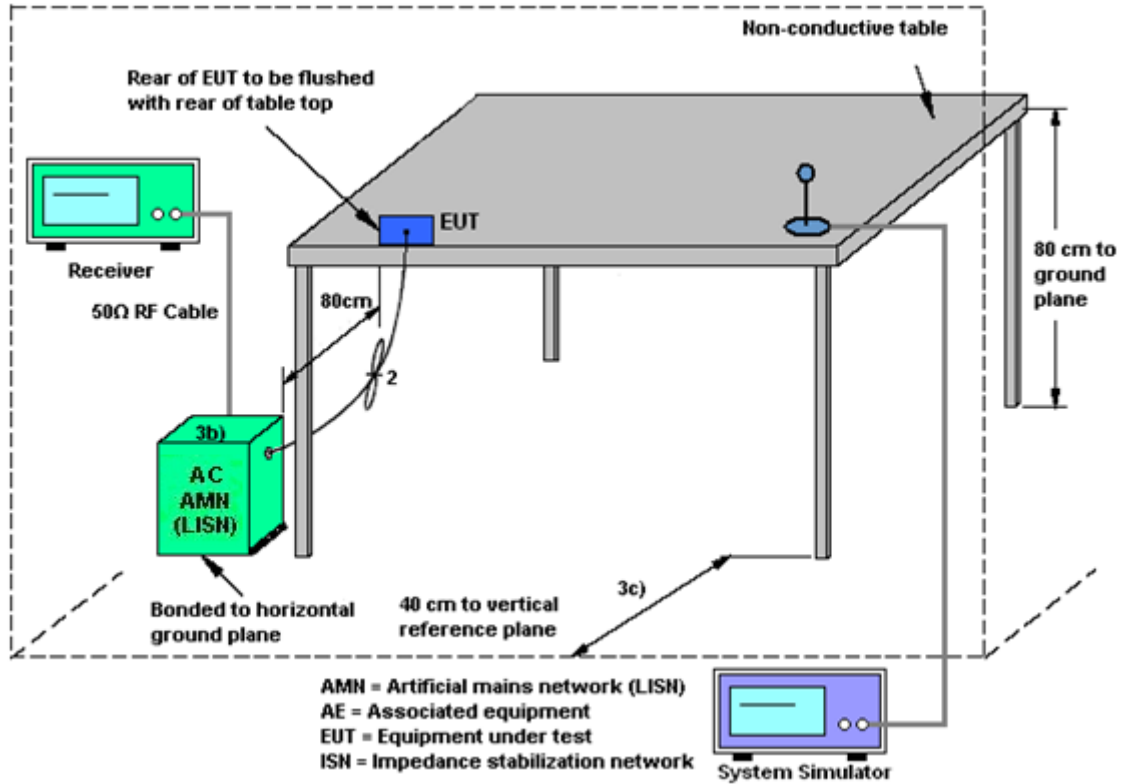
3.1.2 Measuring Instruments

See list of measuring equipment of this test report.

3.1.3 Test Procedures

1. The EUT was placed 0.4 meter from the conducting wall of the shielding room, and it was kept at least 80 centimeters from any other grounded conducting surface.
2. Connect EUT to the power mains through a line impedance stabilization network (LISN).
3. All the support units are connecting to the other LISN.
4. The LISN provides 50 ohm coupling impedance for the measuring instrument.
5. The FCC states that a 50 ohm, 50 microhenry LISN should be used.
6. Both sides of AC line were checked for maximum conducted interference.
7. The frequency range from 150 kHz to 30 MHz was searched.
8. Set the test-receiver system to Peak Detect Function and specified bandwidth (IF Bandwidth = 9kHz) with Maximum Hold Mode. Then measurement is also conducted by Average Detector and Quasi-Peak Detector Function respectively.

3.1.4 Test setup



3.1.5 Test Result of AC Conducted Emission

Please refer to Appendix A.

3.2 20dB and 99% OBW Spectrum Bandwidth Measurement

3.2.1 Limit

Intentional radiators must be designed to ensure that the 20dB and 99% emission bandwidth in the specific band 13.553~13.567MHz.

3.2.2 Measuring Instruments

See list of measuring instruments of this test report.

3.2.3 Test Procedures

1. The spectrum analyzer connected via a receive antenna placed near the EUT in peak Max hold mode.
2. The resolution bandwidth of 1 kHz and the video bandwidth of 3 kHz were used.
3. Measured the spectrum width with power higher than 20dB below carrier.
4. Measured the 99% OBW.

3.2.4 Test Setup of 20dB and 99% OBW Spectrum Bandwidth



3.2.5 Test Result of 20dB and 99% OBW Spectrum Bandwidth

Please refer to Appendix B.

3.3 Frequency Stability Measurement

3.3.1 Limit

The frequency tolerance of the carrier signal shall be maintained within +/- 0.01% (100ppm) of the operating frequency over a temperature variation of -20 degrees to +50 degrees C at normal supply voltage, and for a variation in the primary supply voltage from 85% to 115% of the rated supply voltage at a temperature of 20 degrees C. For battery operated equipment, the equipment tests shall be performed using a new battery.

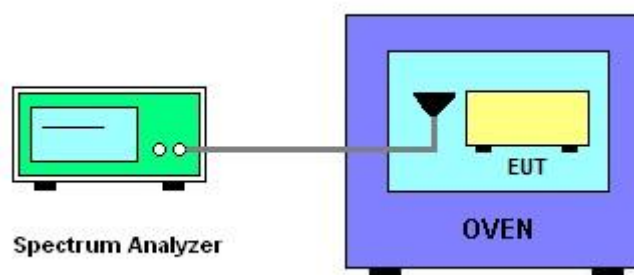
3.3.2 Measuring Instruments

See list of measuring instruments of this test report.

3.3.3 Test Procedures

1. The spectrum analyzer connected via a receive antenna placed near the EUT.
2. EUT have transmitted signal and fixed channelize.
3. Set the spectrum analyzer span to view the entire emissions bandwidth.
4. Set RBW = 1 kHz, VBW = 3 kHz with peak detector and maxhold settings.
5. The f_c is declaring of channel frequency. Then the frequency error formula is $(f_c - f) / f_c \times 10^6$ ppm and the limit is less than ± 100 ppm.
6. Extreme temperature rule is -20°C~50°C.

3.3.4 Test Setup of Frequency Stability



3.3.5 Test Result of Frequency Stability

Please refer to Appendix B.



3.4 Field Strength of Fundamental Emissions and Mask Measurement

3.4.1 Limit

Rules and specifications	FCC CFR 47 Part 15 section 15.225			
Description	Compliance with the spectrum mask is tested with RBW set to 9kHz.			
Freq. of Emission (MHz)	Field Strength ($\mu\text{V/m}$) at 30m	Field Strength ($\text{dB}\mu\text{V/m}$) at 30m	Field Strength ($\text{dB}\mu\text{V/m}$) at 10m	Field Strength ($\text{dB}\mu\text{V/m}$) at 3m
1.705~13.110	30	29.5	48.58	69.5
13.110~13.410	106	40.5	59.58	80.5
13.410~13.553	334	50.5	69.58	90.5
13.553~13.567	15848	84.0	103.08	124.0
13.567~13.710	334	50.5	69.58	90.5
13.710~14.010	106	40.5	59.58	80.5
14.010~30.000	30	29.5	48.58	69.5

3.4.2 Measuring Instruments

See list of measuring instruments of this test report.

3.4.3 Test Procedures

1. Configure the EUT according to ANSI C63.10. The EUT was placed on the top of the turntable 0.8 meter above ground. The phase center of the loop receiving antenna mounted antenna tower was placed 3 meters far away from the turntable.
 2. Power on the EUT and all the supporting units. The turntable was rotated by 360 degrees to determine the position of the highest radiation.
 3. The height of the receiving antenna was fixed at one meter above ground to find the maximum emissions field strength.
 4. For Fundamental emissions, use the receiver to measure QP reading.
 5. When the radiated emissions limits are expressed in terms of the average value of the emissions, and pulsed operation is employed, the measurement field strength shall be determined by averaging over one complete pulse train, including blanking intervals, as long as the pulse train does not exceed 0.1 seconds. As an alternative (provided the transmitter operates for longer than 0.1 seconds) or in cases where the pulse train exceeds 0.1 seconds, the measured field strength shall be determined from the average absolute voltage during a 0.1 second interval during which the field strength is at its maximum value.
 6. Compliance with the spectrum mask is tested with RBW set to 9kHz.
- Note: Emission level (dB μ V/m) = 20 log Emission level (μ V/m).

3.4.4 Test Setup

For radiated emissions below 30MHz



3.4.5 Test Result of Field Strength of Fundamental Emissions and Mask

Please refer to Appendix C.



3.5 Radiated Emissions Measurement

3.5.1 Limit

The field strength of any emissions which appear outside of 13.110 ~14.010MHz band shall not exceed the general radiated emissions limits.

Frequencies (MHz)	Field Strength (μV/m)	Measurement Distance (meters)
0.009~0.490	2400/F(kHz)	300
0.490~1.705	24000/F(kHz)	30
1.705~30.0	30	30
30~88	100	3
88~216	150	3
216~960	200	3
Above 960	500	3

3.5.2 Measuring Instruments

See list of measuring instruments of this test report.

3.5.3 Measuring Instrument Setting

The following table is the setting of receiver:

Receiver Parameter	Setting
Attenuation	Auto
Frequency Range: 9kHz~150kHz	RBW 200Hz for QP
Frequency Range: 150kHz~30MHz	RBW 9kHz for QP
Frequency Range: 30MHz~1000MHz	RBW 120kHz for Peak

Note: The emission limits shown in the above table are based on measurements employing a CISPR quasi-peak detector except for the frequency bands 9-90 kHz and 110-490 kHz. Radiated emission limits in these two bands are based on measurements employing an average detector.



3.5.4 Test Procedures

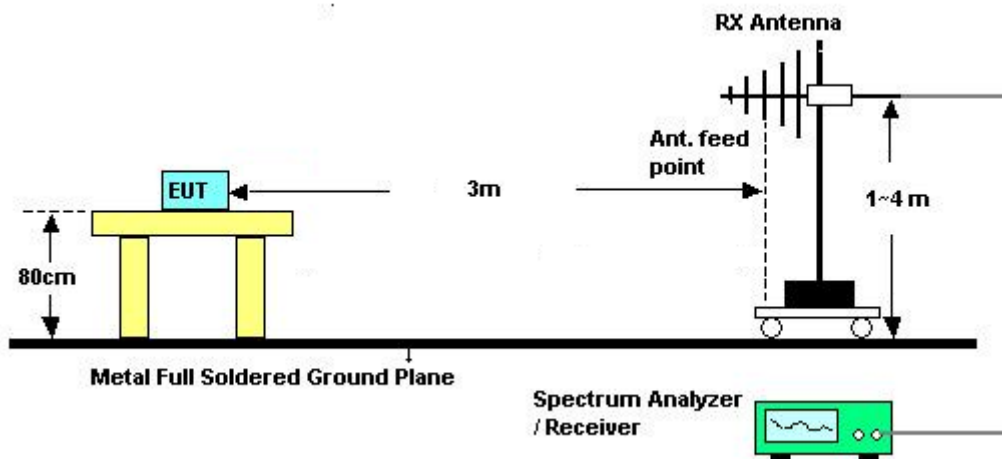
1. Configure the EUT according to ANSI C63.10. The EUT was placed on the top of the turntable 0.8 meter above ground. The phase center of the receiving antenna mounted on the top of a height-variable antenna tower was placed 3 meters far away from the turntable.
2. Power on the EUT and all the supporting units. The turntable was rotated by 360 degrees to determine the position of the highest radiation.
3. The height of the broadband receiving antenna was varied between one meter and four meters above ground to find the maximum emissions field strength of both horizontal and vertical polarization.
4. For each suspected emissions, the antenna tower was scan (from 1 M to 4 M) and then the turntable was rotated (from 0 degree to 360 degrees) to find the maximum reading.
5. Set the test-receiver system to Peak or CISPR quasi-peak Detect Function with specified bandwidth under Maximum Hold Mode.
6. When the radiated emissions limits are expressed in terms of the average value of the emissions, and pulsed operation is employed, the measurement field strength shall be determined by averaging over one complete pulse train, including blanking intervals, as long as the pulse train does not exceed 0.1 seconds. As an alternative (provided the transmitter operates for longer than 0.1 seconds) or in cases where the pulse train exceeds 0.1 seconds, the measured field strength shall be determined from the average absolute voltage during a 0.1 second interval during which the field strength is at its maximum value.
7. In case the emission is lower than 30MHz, loop antenna has to be used for measurement and the recorded data should be QP measured by receiver.

3.5.5 Test Setup

For radiated emissions below 30MHz



For radiated emissions above 30MHz



3.5.6 Test Result of Radiated Emissions Measurement

Please refer to Appendix C.

Remark: There is a comparison data of both open-field test site and alternative test site - semi-Anechoic chamber according to 414788 D01 Radiated Test Site v01r01, and the result came out very similar.



3.6 Antenna Requirements

3.6.1 Standard Applicable

Except for special regulations, the Low-power Radio-frequency Devices must not be equipped with any jacket for installing an antenna with extension cable. An intentional radiator shall be designed to ensure that no antenna other than that furnished by the responsible party shall be used with the device. The use of a permanently attached antenna or of an antenna that uses a unique coupling to the intentional radiator shall be considered sufficient to comply with the provisions of this Section. The manufacturer may design the unit so that the user can replace a broken antenna, but the use of a standard antenna jack or electrical connector is prohibited.

The use of a permanently attached antenna or of an antenna that uses a unique coupling to the intentional radiator shall be considered sufficient to comply with the rule.

3.6.2 Antenna Anti-Replacement Construction

An embedded-in antenna design is used.



4. List of Measuring Equipment

Instrument	Manufacturer	Model No.	Serial No.	Characteristics	Calibration Date	Test Date	Due Date	Remark
Software	Audix	E3 6.2009-8-24	RK-00105 3	N/A	N/A	Jan. 14, 2020~ Feb. 21, 2020	N/A	Radiation (03CH11-HY)
Amplifier	SONOMA	310N	187312	9kHz~1GHz	Dec. 03, 2019	Jan. 14, 2020~ Feb. 21, 2020	Dec. 02, 2020	Radiation (03CH11-HY)
Bilog Antenna	TESEQ	CBL 6111D & N-6-06	35414 & AT-N0602	30MHz~1GHz	Oct. 12, 2019	Jan. 14, 2020~ Feb. 21, 2020	Oct. 11, 2020	Radiation (03CH11-HY)
Loop Antenna	Röhde & Schwarz	HFH2-Z2	100488	9 kHz~30 MHz	Jan. 09, 2020	Jan. 14, 2020~ Feb. 21, 2020	Jan. 08, 2021	Radiation (03CH11-HY)
Controller	EMEC	EM 1000	N/A	Control Turn table & Ant Mast	N/A	Jan. 14, 2020~ Feb. 21, 2020	N/A	Radiation (03CH11-HY)
Antenna Mast	EMEC	AM-BS-4500- B	N/A	1~4m	N/A	Jan. 14, 2020~ Feb. 21, 2020	N/A	Radiation (03CH11-HY)
Turn Table	EMEC	TT 2000	N/A	0~360 Degree	N/A	Jan. 14, 2020~ Feb. 21, 2020	N/A	Radiation (03CH11-HY)
EMI Test Receiver	Agilent	N9038A (MXE)	MY554201 70	20MHz~8.4GHz	Mar. 08, 2019	Jan. 14, 2020~ Feb. 21, 2020	Mar. 07, 2020	Radiation (03CH11-HY)
Spectrum Analyzer	Keysight	N9010A	MY542004 86	10Hz~44GHz	Oct. 28, 2019	Jan. 14, 2020~ Feb. 21, 2020	Oct. 27, 2020	Radiation (03CH11-HY)
Filter	Wainwright	WHK20/1000 C7/40SS	SN2	20M High Pass	Sep. 15, 2019	Jan. 14, 2020~ Feb. 21, 2020	Sep. 14, 2020	Radiation (03CH11-HY)
RF Cable	HUBER + SUHNER	SUCOFLEX 104	MY9837/4 PE	9kHz-30MHz	Mar. 13, 2019	Jan. 14, 2020~ Feb. 21, 2020	Mar. 12, 2020	Radiation (03CH11-HY)
RF Cable	HUBER + SUHNER	SUCOFLEX 104	MY9837/4 PE	30M-18G	Mar. 13, 2019	Jan. 14, 2020~ Feb. 21, 2020	Mar. 12, 2020	Radiation (03CH11-HY)
RF Cable	HUBER + SUHNER	SUCOFLEX 102	MY2859/2	30MHz-40GHz	Mar. 13, 2019	Jan. 14, 2020~ Feb. 21, 2020	Mar. 12, 2020	Radiation (03CH11-HY)
Hygrometer	TECPEL	DTN-303B	TP140325	N/A	Nov. 07, 2019	Jan. 14, 2020~ Feb. 21, 2020	Nov. 06, 2020	Radiation (03CH11-HY)
Hygrometer	TECPEL	DTN-303B	TP161237	N/A	Oct. 25, 2019	Jan. 14, 2020~ Feb. 21, 2020	Oct. 24, 2020	Radiation (03CH11-HY)
AC Power Source	ChainTek	APC-1000W	N/A	N/A	N/A	Jan. 27, 2020~ Jan. 31, 2020	N/A	Conduction (CO05-HY)
EMI Test Receiver	Rohde & Schwarz	ESR3	102388	9kHz~3.6GHz	Nov. 15, 2019	Jan. 27, 2020~ Jan. 31, 2020	Nov. 14, 2020	Conduction (CO05-HY)
Hygrometer	Testo	608-H1	34913912	N/A	Mar. 19, 2019	Jan. 27, 2020~ Jan. 31, 2020	Mar. 18, 2020	Conduction (CO05-HY)
LISN	Rohde & Schwarz	ENV216	100080	9kHz~30MHz	Nov. 20, 2019	Jan. 27, 2020~ Jan. 31, 2020	Nov. 19, 2020	Conduction (CO05-HY)
Software	Rohde & Schwarz	EMC32 V10.30	N/A	N/A	N/A	Jan. 27, 2020~ Jan. 31, 2020	N/A	Conduction (CO05-HY)
LF Cable	HUBER + SUHNER	RG-214/U	LF01	N/A	Jan. 02, 2020	Jan. 27, 2020~ Jan. 31, 2020	Jan. 01, 2021	Conduction (CO05-HY)
Pulse Limiter	Rohde & Schwarz	ESH3-Z2	100851	N/A	Jan. 02, 2020	Jan. 27, 2020~ Jan. 31, 2020	Jan. 01, 2021	Conduction (CO05-HY)
AC Power Source	AC POWER	AFC-500W	F10407001 1	50Hz~60Hz	Apr. 12, 2019	Jan. 30, 2020	Apr. 11, 2020	Conducted (TH03-HY)
Hygrometer	Testo	608-H1	34893241	N/A	Mar. 06, 2019	Jan. 30, 2020	Mar. 05, 2020	Conducted (TH03-HY)
Spectrum Analyzer	Rohde & Schwarz	FSP30	101329	9kHz~30GHz	Sep. 04, 2019	Jan. 30, 2020	Sep. 03, 2020	Conducted (TH03-HY)
Temperature Chamber	ESPEC	SU-641	92013721	-30℃ ~70℃	Nov. 26, 2019	Jan. 30, 2020	Nov. 25, 2020	Conducted (TH03-HY)



5. Uncertainty of Evaluation

Uncertainty of Conducted Emission Measurement (150 kHz ~ 30 MHz)

Measuring Uncertainty for a Level of Confidence of 95% ($U = 2Uc(y)$)	2.00
---	------

Uncertainty of Radiated Emission Measurement (9 kHz ~ 30 MHz)

Measuring Uncertainty for a Level of Confidence of 95% ($U = 2Uc(y)$)	3.12
---	------

Uncertainty of Radiated Emission Measurement (30 MHz ~ 1000 MHz)

Measuring Uncertainty for a Level of Confidence of 95% ($U = 2Uc(y)$)	5.20
---	------



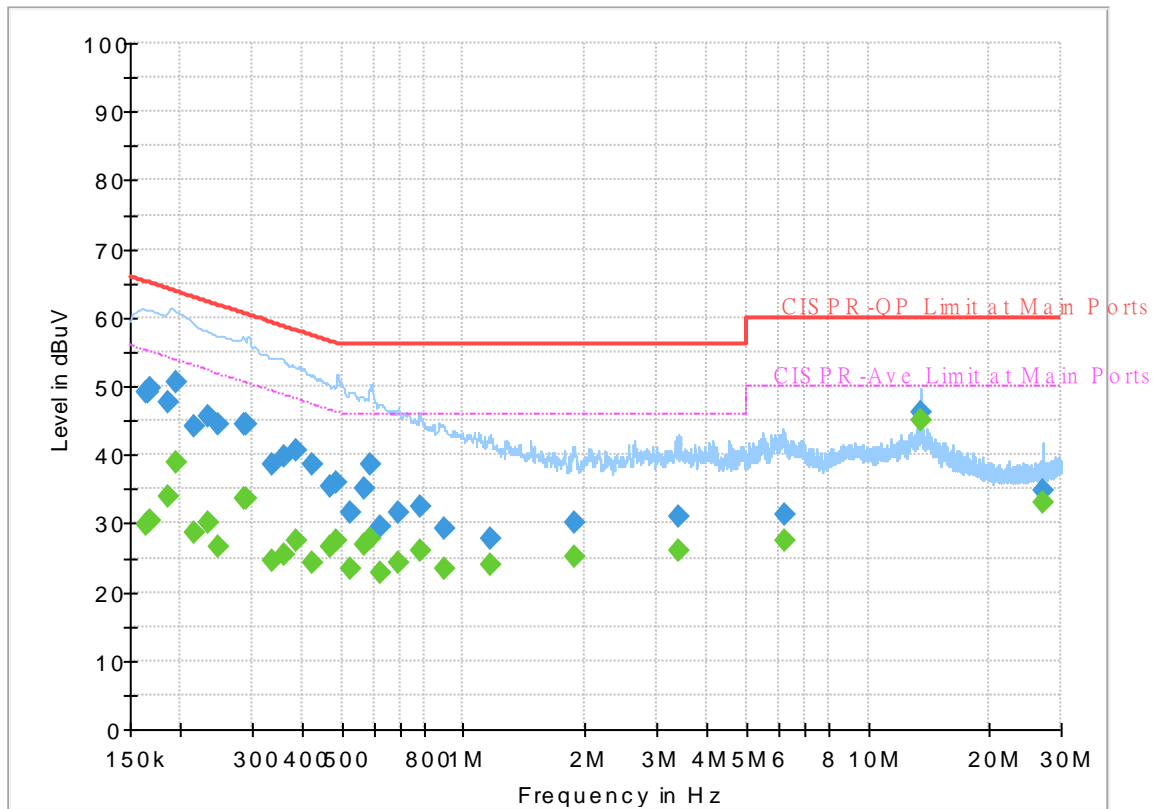
Appendix A. Test Results of Conducted Emission Test

Test Engineer :	Tom Lee and Howard Huang	Temperature :	22~25°C
		Relative Humidity :	45~53%

EUT Information

Report NO : 9D0616-05
 Test Mode : Mode 1
 Test Voltage : 120Vac/60Hz
 Phase : Line

Full Spectrum



Final_Result

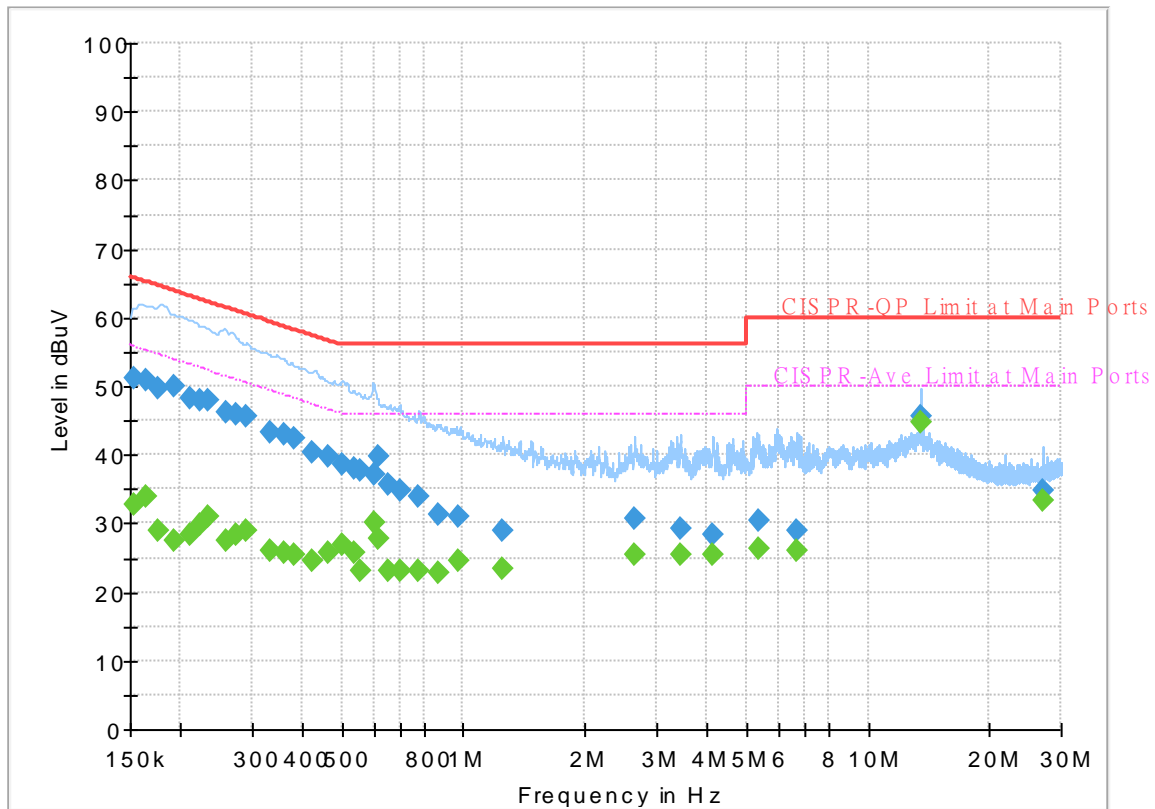
Frequency (MHz)	QuasiPeak (dBuV)	CAverage (dBuV)	Limit (dBuV)	Margin (dB)	Line	Filter	Corr. (dB)
0.163500	49.10	---	65.28	16.18	L1	OFF	19.5
0.163500	---	29.78	55.28	25.50	L1	OFF	19.5
0.166380	49.05	---	65.14	16.09	L1	OFF	19.5
0.166380	---	30.21	55.14	24.93	L1	OFF	19.5
0.168000	49.58	---	65.06	15.48	L1	OFF	19.5
0.168000	---	30.48	55.06	24.58	L1	OFF	19.5
0.186360	47.52	---	64.20	16.68	L1	OFF	19.5
0.186360	---	34.03	54.20	20.17	L1	OFF	19.5
0.195270	50.63	---	63.81	13.18	L1	OFF	19.5
0.195270	---	38.99	53.81	14.82	L1	OFF	19.5
0.215520	44.11	---	62.99	18.88	L1	OFF	19.5
0.215520	---	28.57	52.99	24.42	L1	OFF	19.5
0.233250	45.49	---	62.33	16.84	L1	OFF	19.5
0.233250	---	30.17	52.33	22.16	L1	OFF	19.5
0.249000	44.43	---	61.79	17.36	L1	OFF	19.5
0.249000	---	26.75	51.79	25.04	L1	OFF	19.5
0.288510	44.46	---	60.57	16.11	L1	OFF	19.5
0.288510	---	33.61	50.57	16.96	L1	OFF	19.5
0.292110	44.55	---	60.46	15.91	L1	OFF	19.5
0.292110	---	33.49	50.46	16.97	L1	OFF	19.5
0.335580	38.51	---	59.31	20.80	L1	OFF	19.5

0.335580	---	24.60	49.31	24.71	L1	OFF	19.5
0.361500	39.65	---	58.69	19.04	L1	OFF	19.5
0.361500	---	25.40	48.69	23.29	L1	OFF	19.5
0.384720	40.62	---	58.18	17.56	L1	OFF	19.5
0.384720	---	27.58	48.18	20.60	L1	OFF	19.5
0.424500	38.60	---	57.36	18.76	L1	OFF	19.5
0.424500	---	24.25	47.36	23.11	L1	OFF	19.5
0.471120	35.29	---	56.49	21.20	L1	OFF	19.5
0.471120	---	26.67	46.49	19.82	L1	OFF	19.5
0.486060	35.94	---	56.24	20.30	L1	OFF	19.5
0.486060	---	27.44	46.24	18.80	L1	OFF	19.5
0.523500	31.61	---	56.00	24.39	L1	OFF	19.5
0.523500	---	23.32	46.00	22.68	L1	OFF	19.5
0.570570	34.97	---	56.00	21.03	L1	OFF	19.5
0.570570	---	27.00	46.00	19.00	L1	OFF	19.5
0.591450	38.71	---	56.00	17.29	L1	OFF	19.5
0.591450	---	27.88	46.00	18.12	L1	OFF	19.5
0.620250	29.64	---	56.00	26.36	L1	OFF	19.5
0.620250	---	22.75	46.00	23.25	L1	OFF	19.5
0.687750	31.54	---	56.00	24.46	L1	OFF	19.5
0.687750	---	24.30	46.00	21.70	L1	OFF	19.5
0.782250	32.39	---	56.00	23.61	L1	OFF	19.6
0.782250	---	26.14	46.00	19.86	L1	OFF	19.6
0.897000	29.30	---	56.00	26.70	L1	OFF	19.6
0.897000	---	23.27	46.00	22.73	L1	OFF	19.6
1.163850	27.72	---	56.00	28.28	L1	OFF	19.6
1.163850	---	24.05	46.00	21.95	L1	OFF	19.6
1.880970	30.01	---	56.00	25.99	L1	OFF	19.6
1.880970	---	25.28	46.00	20.72	L1	OFF	19.6
3.421500	30.93	---	56.00	25.07	L1	OFF	19.7
3.421500	---	25.99	46.00	20.01	L1	OFF	19.7
6.193860	31.26	---	60.00	28.74	L1	OFF	19.8
6.193860	---	27.46	50.00	22.54	L1	OFF	19.8
13.560000	46.06	---	60.00	13.94	L1	OFF	20.1
13.560000	---	45.09	50.00	4.91	L1	OFF	20.1
27.120000	34.72	---	60.00	25.28	L1	OFF	20.4
27.120000	---	33.11	50.00	16.89	L1	OFF	20.4

EUT Information

Report NO : 9D0616-05
 Test Mode : Mode 1
 Test Voltage : 120Vac/60Hz
 Phase : Neutral

Full Spectrum



Final Result

Frequency (MHz)	QuasiPeak (dBuV)	CAverage (dBuV)	Limit (dBuV)	Margin (dB)	Line	Filter	Corr. (dB)
0.153690	---	32.76	55.80	23.04	N	OFF	19.6
0.153690	51.20	---	65.80	14.60	N	OFF	19.6
0.163500	---	33.96	55.28	21.32	N	OFF	19.6
0.163500	50.99	---	65.28	14.29	N	OFF	19.6
0.175200	---	29.09	54.71	25.62	N	OFF	19.6
0.175200	49.79	---	64.71	14.92	N	OFF	19.6
0.192300	---	27.51	53.94	26.43	N	OFF	19.6
0.192300	49.88	---	63.94	14.06	N	OFF	19.6
0.210750	---	28.34	53.18	24.84	N	OFF	19.6
0.210750	48.15	---	63.18	15.03	N	OFF	19.6
0.223710	---	29.77	52.68	22.91	N	OFF	19.6
0.223710	47.93	---	62.68	14.75	N	OFF	19.6
0.234060	---	31.11	52.30	21.19	N	OFF	19.6
0.234060	47.90	---	62.30	14.40	N	OFF	19.6
0.258000	---	27.49	51.50	24.01	N	OFF	19.6
0.258000	46.06	---	61.50	15.44	N	OFF	19.6
0.273750	---	28.43	51.00	22.57	N	OFF	19.6
0.273750	46.03	---	61.00	14.97	N	OFF	19.6
0.289500	---	28.98	50.54	21.56	N	OFF	19.6
0.289500	45.66	---	60.54	14.88	N	OFF	19.6
0.332250	---	25.97	49.40	23.43	N	OFF	19.6

0.332250	43.21	---	59.40	16.19	N	OFF	19.6
0.359250	---	25.81	48.75	22.94	N	OFF	19.6
0.359250	42.95	---	58.75	15.80	N	OFF	19.6
0.384000	---	25.49	48.19	22.70	N	OFF	19.6
0.384000	42.37	---	58.19	15.82	N	OFF	19.6
0.423690	---	24.61	47.38	22.77	N	OFF	19.6
0.423690	40.45	---	57.38	16.93	N	OFF	19.6
0.462750	---	25.65	46.64	20.99	N	OFF	19.6
0.462750	39.77	---	56.64	16.87	N	OFF	19.6
0.500910	---	26.93	46.00	19.07	N	OFF	19.6
0.500910	38.67	---	56.00	17.33	N	OFF	19.6
0.534750	---	25.62	46.00	20.38	N	OFF	19.6
0.534750	38.01	---	56.00	17.99	N	OFF	19.6
0.557250	---	23.20	46.00	22.80	N	OFF	19.6
0.557250	37.59	---	56.00	18.41	N	OFF	19.6
0.602250	---	30.22	46.00	15.78	N	OFF	19.6
0.602250	37.21	---	56.00	18.79	N	OFF	19.6
0.615660	---	27.83	46.00	18.17	N	OFF	19.6
0.615660	39.78	---	56.00	16.22	N	OFF	19.6
0.652380	---	23.10	46.00	22.90	N	OFF	19.6
0.652380	35.53	---	56.00	20.47	N	OFF	19.6
0.694860	---	23.10	46.00	22.90	N	OFF	19.6
0.694860	34.85	---	56.00	21.15	N	OFF	19.6
0.773250	---	23.07	46.00	22.93	N	OFF	19.6
0.773250	33.87	---	56.00	22.13	N	OFF	19.6
0.863250	---	22.84	46.00	23.16	N	OFF	19.6
0.863250	31.28	---	56.00	24.72	N	OFF	19.6
0.976560	---	24.50	46.00	21.50	N	OFF	19.6
0.976560	30.91	---	56.00	25.09	N	OFF	19.6
1.254120	---	23.35	46.00	22.65	N	OFF	19.6
1.254120	28.85	---	56.00	27.15	N	OFF	19.6
2.656500	---	25.47	46.00	20.53	N	OFF	19.6
2.656500	30.74	---	56.00	25.26	N	OFF	19.6
3.437250	---	25.29	46.00	20.71	N	OFF	19.7
3.437250	29.17	---	56.00	26.83	N	OFF	19.7
4.123770	---	25.42	46.00	20.58	N	OFF	19.7
4.123770	28.32	---	56.00	27.68	N	OFF	19.7
5.343990	---	26.21	50.00	23.79	N	OFF	19.8
5.343990	30.37	---	60.00	29.63	N	OFF	19.8
6.660150	---	25.97	50.00	24.03	N	OFF	19.9
6.660150	29.07	---	60.00	30.93	N	OFF	19.9
13.560000	---	44.72	50.00	5.28	N	OFF	20.1
13.560000	45.61	---	60.00	14.39	N	OFF	20.1
27.120000	---	33.35	50.00	16.65	N	OFF	20.6
27.120000	34.74	---	60.00	25.26	N	OFF	20.6



Appendix B. Test Results of Spectrum Bandwidth and Frequency Stability

B1. Test Result of 20dB Spectrum Bandwidth

Test mode	NFC Tx	Test Frequency (MHz)	13.56
Date: 30.JAN.2020 18:35:01		Date: 30.JAN.2020 18:33:39	
20dB Bandwidth (kHz)	2.64	99% OccupiedBW(kHz)	2.24
Frequency range (MHz)	$f_L > 13.553$	13.55862	Test Result
	$f_H < 13.567$	13.56126	Complies

Remark: Because the measured signal is CW adjusting the RBW per C63.10 would not be practical since measured bandwidth will always follow the RBW and the result will be approximately twice the RBW.



B2. Test Result of Frequency Stability

Voltage vs. Frequency Stability		Temperature vs. Frequency Stability		
Voltage (Vac)	Measurement Frequency (MHz)	Temperature (°C)	Time	Measurement Frequency (MHz)
120		-20	0	13.560040
			2	13.560040
			5	13.560030
			10	13.560020
		-10	0	13.560030
			2	13.560040
			5	13.560040
			10	13.560040
		0	0	13.560040
			2	13.560040
			5	13.560071
			10	13.560040
		10	0	13.560040
			2	13.560040
			5	13.560030
			10	13.560040
		20	0	13.559940
			2	13.559940
			5	13.559940
			10	13.559950
		30	0	13.559980
			2	13.559980
			5	13.559980
			10	13.559980
		40	0	13.559950
			2	13.559940
			5	13.559940
			10	13.559940

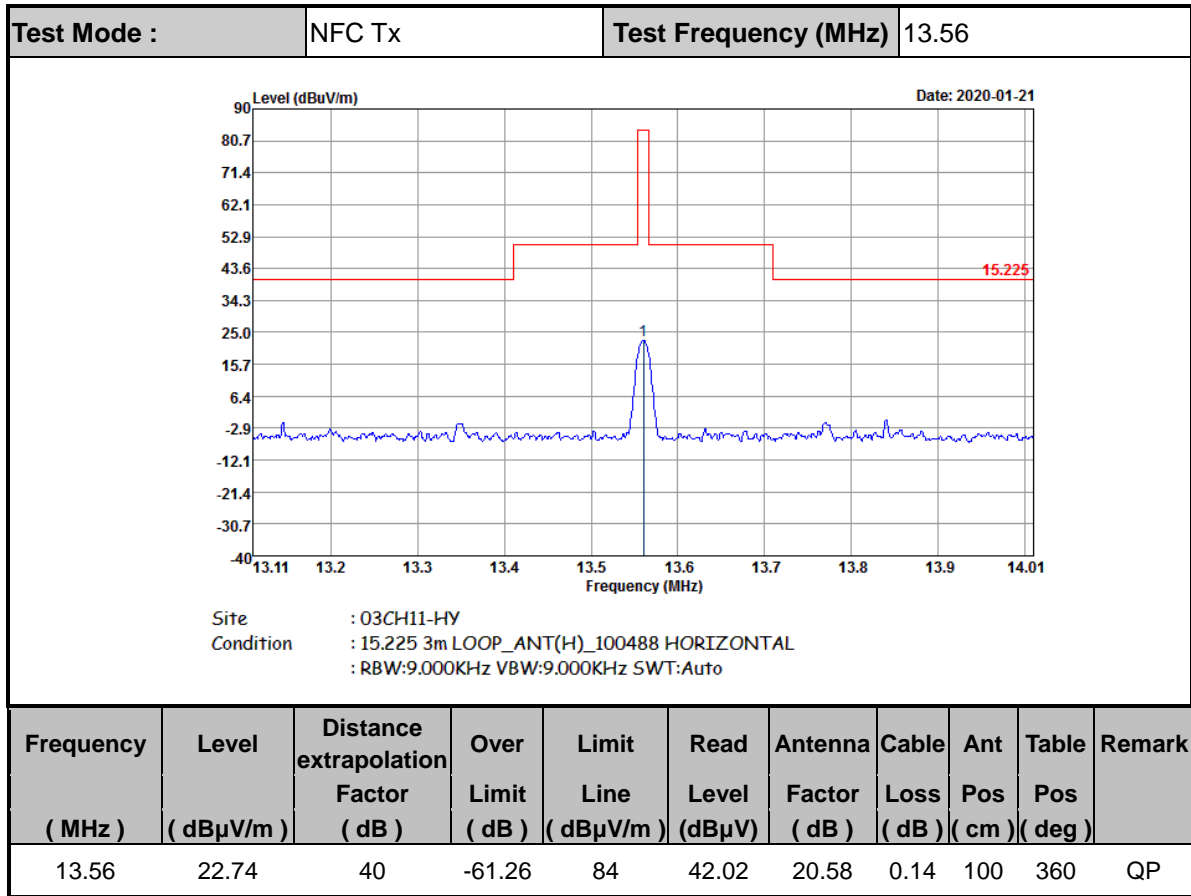


Voltage vs. Frequency Stability		Temperature vs. Frequency Stability		
Voltage (Vac)	Measurement Frequency (MHz)	Temperature (°C)	Time	Measurement Frequency (MHz)
		50	0	13.559920
			2	13.559920
			5	13.559920
			10	13.559920
Max.Deviation (MHz)	-0.000060	Max.Deviation (MHz)		-0.000080
Max.Deviation (ppm)	-4.4248	Max.Deviation (ppm)		-5.8997
Limit	FS < ±100 ppm	Limit		FS < ±100 ppm
Test Result	PASS	Test Result		PASS



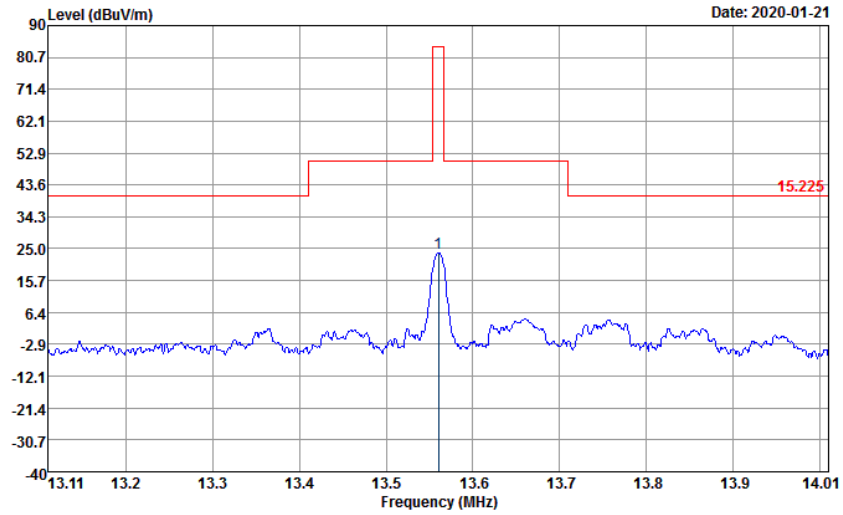
Appendix C. Test Results of Radiated Test Items

C1. Test Result of Field Strength of Fundamental Emissions





Test Mode :	NFC Tx	Test Frequency (MHz)	13.56
-------------	--------	----------------------	-------

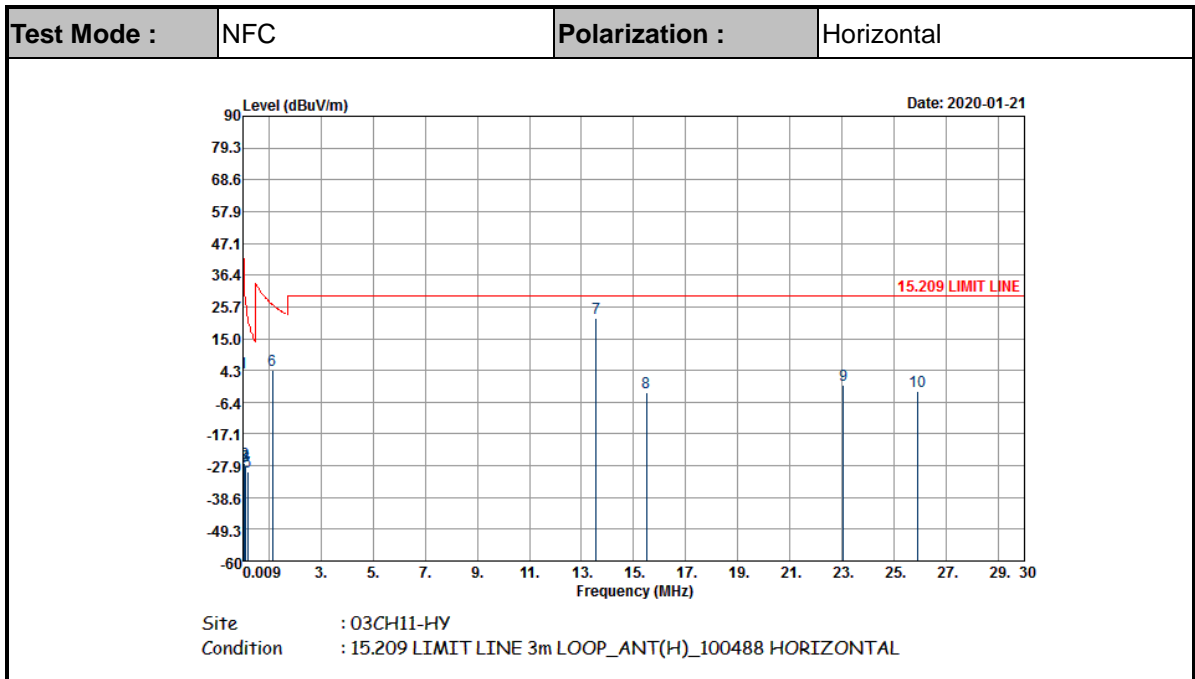


Site : 03CH11-HY
 Condition : 15.225 3m LOOP_ANT(V)_100488 VERTICAL
 : RBW:9.000KHz VBW:9.000KHz SWT:Auto

Frequency (MHz)	Level (dBμV/m)	Distance extrapolation Factor (dB)	Over Limit (dB)	Limit Line (dBμV/m)	Read Level (dBμV)	Antenna Factor (dB)	Cable Loss (dB)	Ant Pos (cm)	Table Pos (deg)	Remark
13.56	23.9	40	-60.1	84	43.18	20.58	0.14	100	91	QP



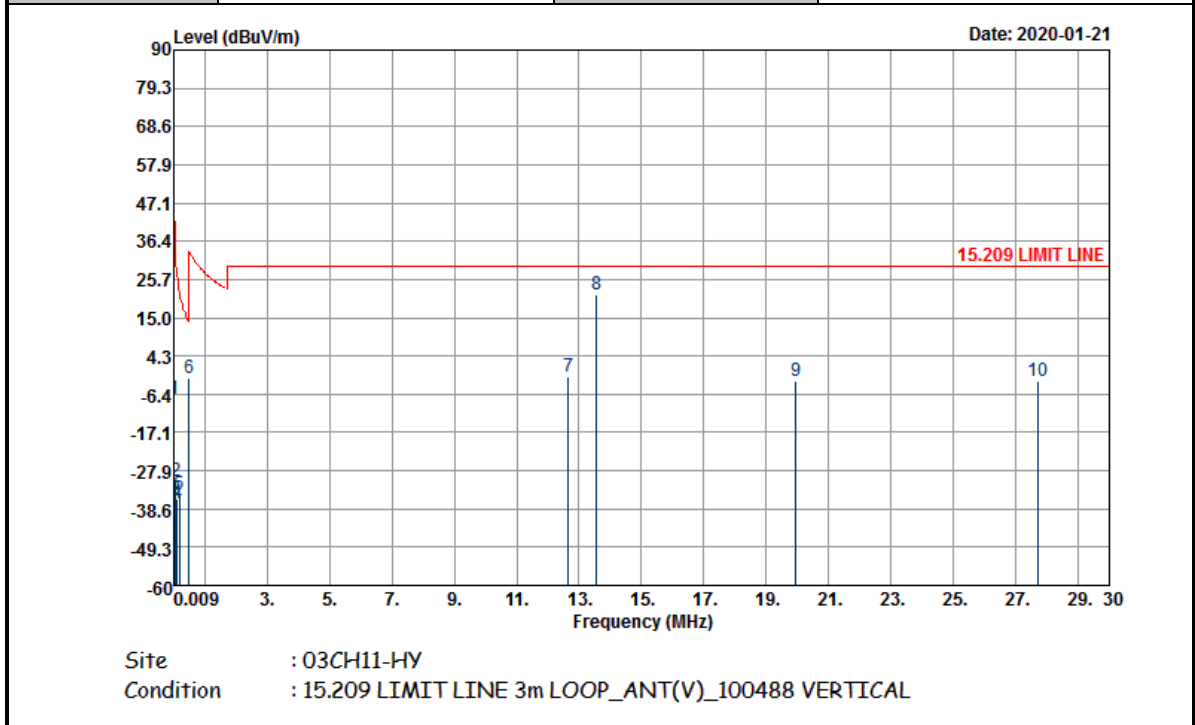
C2. Results of Radiated Spurious Emissions (9 kHz~30MHz)



Frequency (MHz)	Level (dBμV/m)	Distance extrapolation Factor (dB)	Over Limit (dB)	Limit Line (dBμV/m)	Read Level (dBμV)	Antenna Factor (dB)	Cable Loss (dB)	Ant Pos (cm)	Table Pos (deg)	Remark
0.01925	3.44	80	-38.48	41.92	64.3	19.13	0.01	-	-	Average
0.06747	-27.1	80	-58.12	31.02	33.96	18.93	0.01	-	-	Average
0.10996	-27.77	80	-54.55	26.78	33.62	18.6	0.01	-	-	QP
0.11	-27.96	80	-54.74	26.78	33.43	18.6	0.01	-	-	Average
0.17618	-30.06	80	-52.75	22.69	31.33	18.6	0.01	-	-	Average
1.136	4.51	40	-21.99	26.5	25.9	18.6	0.01	100	0	QP
13.56	21.72	40	-7.78	29.5	41	20.58	0.14	-	-	QP
15.496	-3.3	40	-32.8	29.5	15.81	20.74	0.15	-	-	QP
23.056	-0.78	40	-30.28	29.5	17.88	21.16	0.18	-	-	QP
25.905	-2.88	40	-32.38	29.5	15.71	21.22	0.19	-	-	QP



Test Mode :	NFC with Tx Tool	Polarization :	Vertical
-------------	------------------	----------------	----------



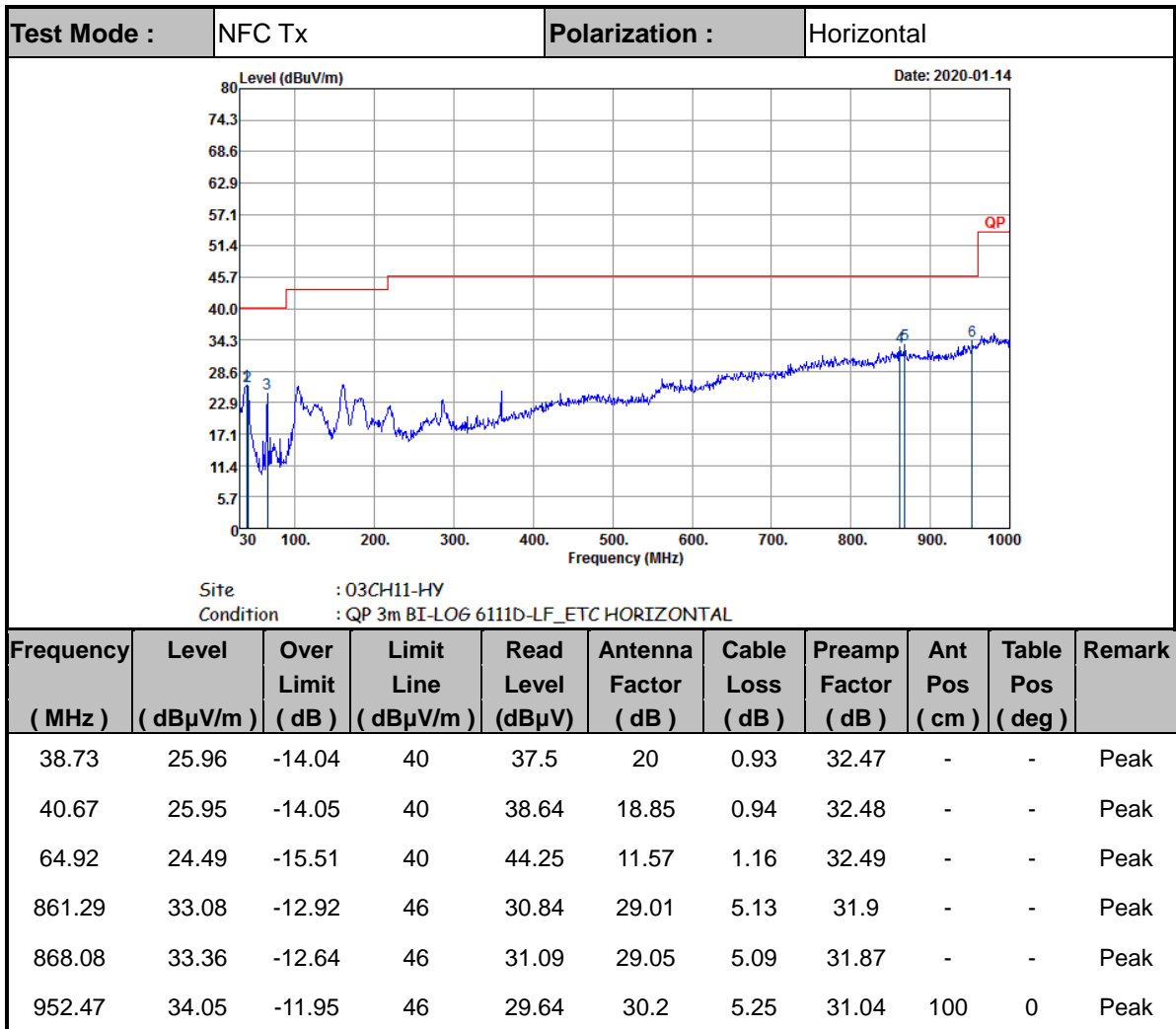
Frequency (MHz)	Level (dBμV/m)	Distance extrapolation Factor (dB)	Over Limit (dB)	Limit Line (dBμV/m)	Read Level (dBμV)	Antenna Factor (dB)	Cable Loss (dB)	Ant Pos (cm)	Table Pos (deg)	Remark
0.01925	-7.6	80	-49.52	41.92	53.26	19.13	0.01	-	-	Average
0.06666	-30.86	80	-61.99	31.13	30.2	18.93	0.01	-	-	Average
0.0906	-35.79	80	-64.25	28.46	25.51	18.69	0.01	-	-	QP
0.11	-37.01	80	-63.79	26.78	24.38	18.6	0.01	-	-	Average
0.18536	-34.42	80	-56.66	22.24	26.97	18.6	0.01	-	-	Average
0.49	-2.1	40	-15.9	13.8	19.29	18.6	0.01	100	0	QP
12.664	-1.68	40	-31.18	29.5	17.67	20.51	0.14	-	-	QP
13.56	21.56	40	-7.94	29.5	40.84	20.58	0.14	-	-	QP
19.96	-2.69	40	-32.19	29.5	16.04	21.1	0.17	-	-	QP
27.705	-2.63	40	-32.13	29.5	15.92	21.25	0.2	-	-	QP

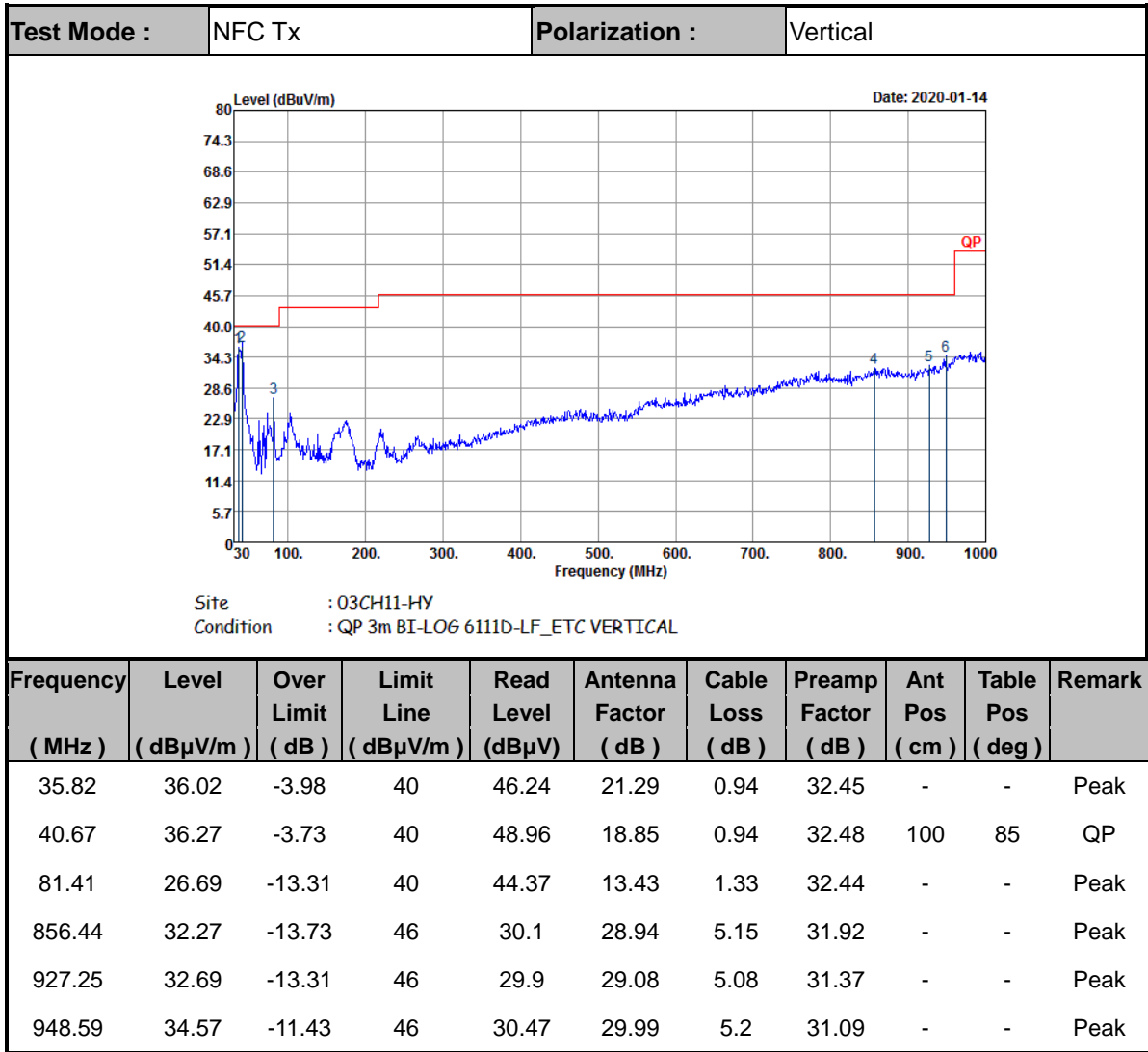
Note:

1. 13.56 MHz is fundamental signal which can be ignored.
2. The amplitude of spurious emissions which are attenuated by more than 20dB below the permissible value has no need to be reported.
3. Distance extrapolation factor = 40 log (specific distance / test distance) (dB);
4. Limit line = specific limits (dBμV) + distance extrapolation factor.



C3. Results of Radiated Spurious Emissions (30MHz~1GHz)





Note:

1. The amplitude of spurious emissions which are attenuated by more than 20dB below the permissible value has no need to be reported.
2. Emission level (dBμV/m) = 20 log Emission level (μV/m).
3. Corrected Reading: Antenna Factor + Cable Loss + Read Level - Preamp Factor= Level.

————THE END————