

#26_LTE Band 14_10M_QPSK_1_0_Back_10mm_Ch23330

Communication System: LTE; Frequency: 793 MHz; Duty Cycle: 1:1

Medium: HSL_750_191107 Medium parameters used: $f = 793$ MHz; $\sigma = 0.936$ S/m; $\epsilon_r = 41.215$; $\rho = 1000$ kg/m³

Ambient Temperature : 23.7 °C ; Liquid Temperature : 22.7 °C

DASY5 Configuration:

- Probe: EX3DV4 - SN3925; ConvF(10.33, 10.33, 10.33) @ 793 MHz; Calibrated: 2019/9/20
- Sensor-Surface: 1.4mm (Mechanical Surface Detection)
- Electronics: DAE4 Sn1311; Calibrated: 2019/8/27
- Phantom: SAM_Left; Type: QD000P40CD; Serial: TP:1684
- Measurement SW: DASY52, Version 52.10 (2); SEMCAD X Version 14.6.12 (7470)

Area Scan (71x101x1): Interpolated grid: dx=1.500 mm, dy=1.500 mm

Maximum value of SAR (interpolated) = 0.503 W/kg

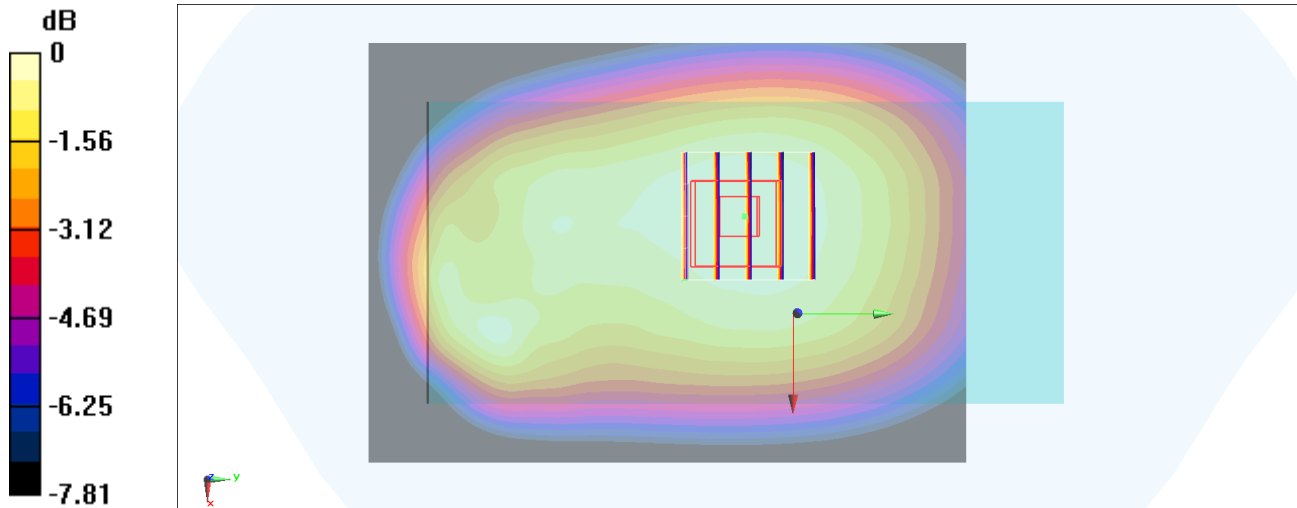
Zoom Scan (5x5x7)/Cube 0: Measurement grid: dx=8mm, dy=8mm, dz=5mm

Reference Value = 24.22 V/m; Power Drift = -0.06 dB

Peak SAR (extrapolated) = 0.554 W/kg

SAR(1 g) = 0.423 W/kg; SAR(10 g) = 0.326 W/kg

Maximum value of SAR (measured) = 0.510 W/kg



0 dB = 0.510 W/kg = -2.92 dBW/kg

#27_LTE Band 25_20M_QPSK_1_0_Front_10mm_Ch26590

Communication System: LTE; Frequency: 1905 MHz; Duty Cycle: 1:1

Medium: HSL_1900_191030 Medium parameters used : $f = 1905$ MHz; $\sigma = 1.442$ S/m; $\epsilon_r = 38.456$; $\rho = 1000$ kg/m³

Ambient Temperature : 23.2 °C; Liquid Temperature : 22.2 °C

DASY5 Configuration:

- Probe: EX3DV4 - SN3642; ConvF(7.91, 7.91, 7.91) @ 1905 MHz; Calibrated: 2019/4/29
- Sensor-Surface: 1.4mm (Mechanical Surface Detection)
- Electronics: DAE4 Sn1311; Calibrated: 2019/8/27
- Phantom: SAM_Left; Type: QD000P40CD; Serial: TP:1477
- Measurement SW: DASY52, Version 52.10 (2); SEMCAD X Version 14.6.12 (7470)

Area Scan (71x81x1): Interpolated grid: dx=1.500 mm, dy=1.500 mm

Maximum value of SAR (interpolated) = 1.50 W/kg

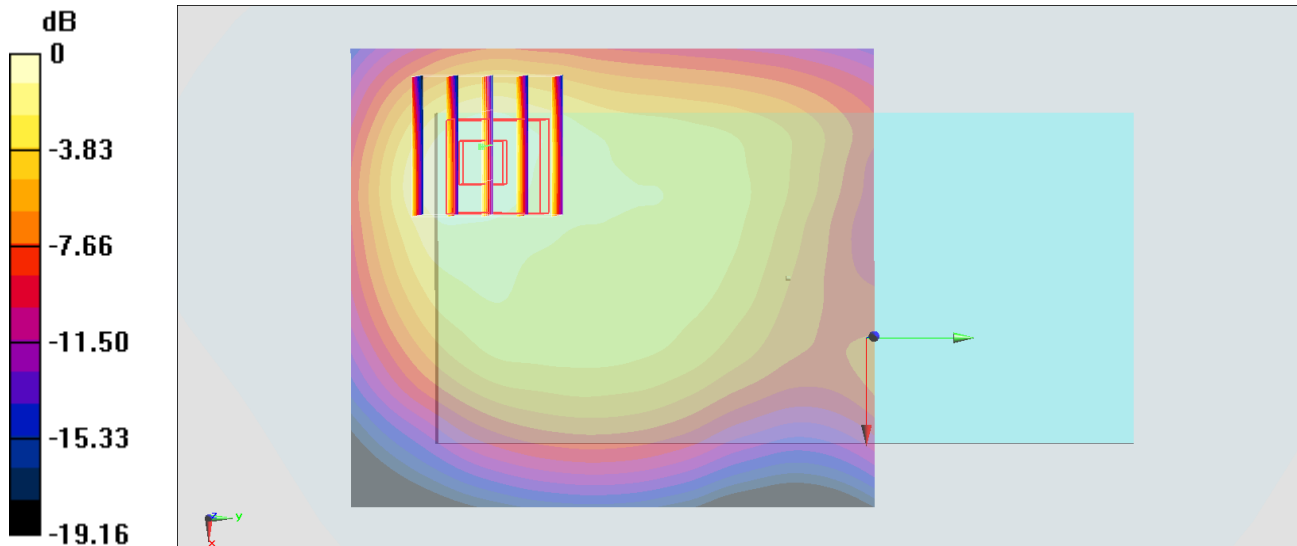
Zoom Scan (5x5x7)/Cube 0: Measurement grid: dx=8mm, dy=8mm, dz=5mm

Reference Value = 17.71 V/m; Power Drift = 0.02 dB

Peak SAR (extrapolated) = 1.84 W/kg

SAR(1 g) = 1.04 W/kg; SAR(10 g) = 0.606 W/kg

Maximum value of SAR (measured) = 1.52 W/kg



0 dB = 1.52 W/kg = 1.82 dBW/kg

#28_LTE Band 26_15M_QPSK_1_37_Back_10mm_Ch26865

Communication System: LTE; Frequency: 831.5 MHz; Duty Cycle: 1:1

Medium: HSL_850_191104 Medium parameters used: $f = 831.5$ MHz; $\sigma = 0.906$ S/m; $\epsilon_r = 40.629$; $\rho = 1000$ kg/m³

Ambient Temperature : 23.6 °C ; Liquid Temperature : 22.6 °C

DASY5 Configuration:

- Probe: ES3DV3 - SN3124; ConvF(5.97, 5.97, 5.97) @ 831.5 MHz; Calibrated: 2019/1/15
- Sensor-Surface: 3mm (Mechanical Surface Detection)
- Electronics: DAE4 Sn316; Calibrated: 2019/1/3
- Phantom: SAM_Left; Type: QD000P40CD; Serial: TP:1684
- Measurement SW: DASY52, Version 52.10 (2); SEMCAD X Version 14.6.12 (7470)

Area Scan (71x111x1): Interpolated grid: dx=1.500 mm, dy=1.500 mm

Maximum value of SAR (interpolated) = 0.569 W/kg

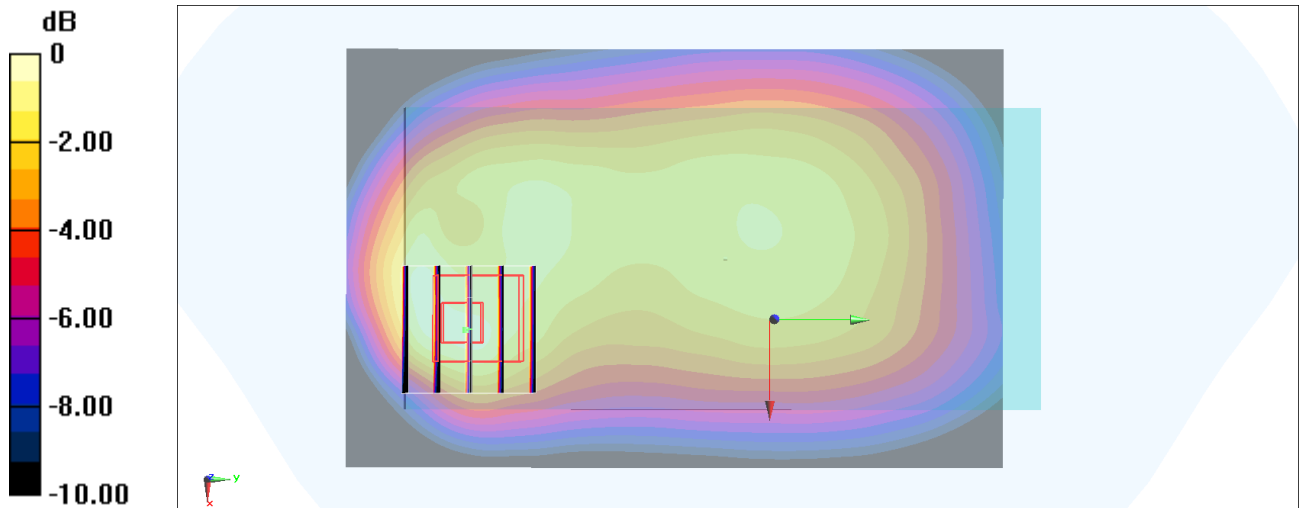
Zoom Scan (5x5x7)/Cube 0: Measurement grid: dx=8mm, dy=8mm, dz=5mm

Reference Value = 21.90 V/m; Power Drift = -0.09 dB

Peak SAR (extrapolated) = 0.864 W/kg

SAR(1 g) = 0.491 W/kg; SAR(10 g) = 0.292 W/kg

Maximum value of SAR (measured) = 0.595 W/kg



0 dB = 0.595 W/kg = -2.25 dBW/kg

#29_LTE Band 30_10M_QPSK_1_25_Back_10mm_Ch27710

Communication System: LTE; Frequency: 2310 MHz; Duty Cycle: 1:1

Medium: HSL_2300_191106 Medium parameters used: $f = 2310$ MHz; $\sigma = 1.654$ S/m; $\epsilon_r = 39.732$; $\rho = 1000$ kg/m³

Ambient Temperature : 23.3 °C; Liquid Temperature : 22.3 °C

DASY5 Configuration:

- Probe: EX3DV4 - SN3925; ConvF(7.87, 7.87, 7.87) @ 2310 MHz; Calibrated: 2019/9/20
- Sensor-Surface: 1.4mm (Mechanical Surface Detection)
- Electronics: DAE4 Sn1311; Calibrated: 2019/8/27
- Phantom: SAM_Right; Type: QD000P40CD; Serial: TP:1683
- Measurement SW: DASY52, Version 52.10 (2); SEMCAD X Version 14.6.12 (7470)

Area Scan (81x81x1): Interpolated grid: dx=1.200 mm, dy=1.200 mm

Maximum value of SAR (interpolated) = 1.79 W/kg

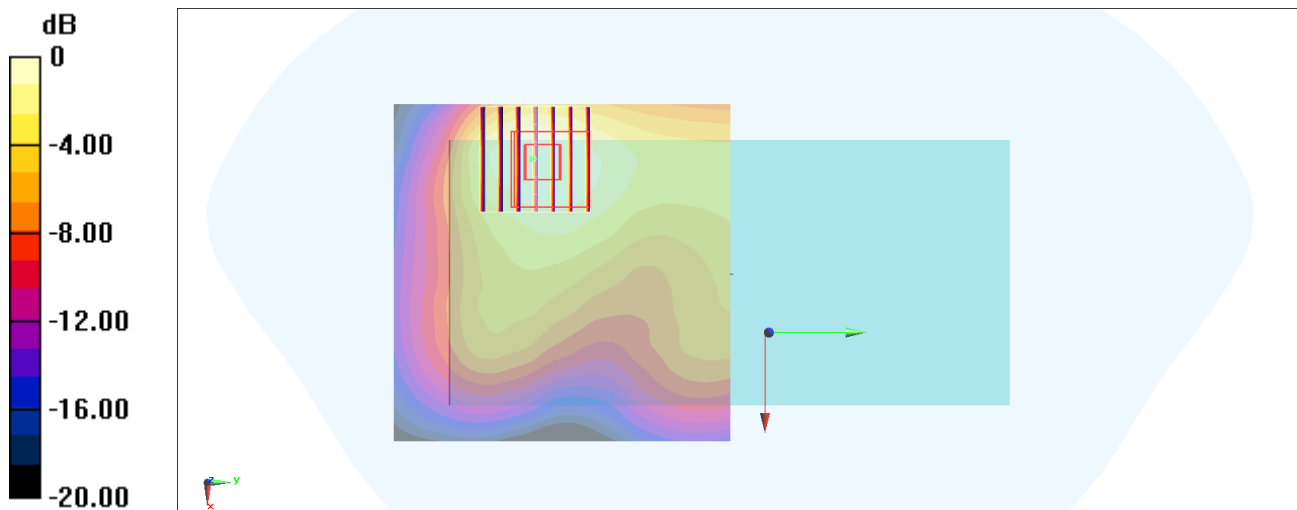
Zoom Scan (7x7x7)/Cube 0: Measurement grid: dx=5mm, dy=5mm, dz=5mm

Reference Value = 23.73 V/m; Power Drift = -0.03 dB

Peak SAR (extrapolated) = 1.91 W/kg

SAR(1 g) = 1.03 W/kg; SAR(10 g) = 0.564 W/kg

Maximum value of SAR (measured) = 1.57 W/kg



0 dB = 1.57 W/kg = 1.96 dBW/kg

#30_LTE Band 66_20M_QPSK_1_0_Bottom Side_10mm_Ch132072

Communication System: LTE; Frequency: 1720 MHz; Duty Cycle: 1:1

Medium: HSL_1750_191102 Medium parameters used: $f = 1720$ MHz; $\sigma = 1.361$ S/m; $\epsilon_r = 39.544$; $\rho = 1000$ kg/m³

Ambient Temperature : 23.5 °C ; Liquid Temperature : 22.5 °C

DASY5 Configuration:

- Probe: ES3DV3 - SN3124; ConvF(5.18, 5.18, 5.18) @ 1720 MHz; Calibrated: 2019/1/15
- Sensor-Surface: 3mm (Mechanical Surface Detection)
- Electronics: DAE4 Sn316; Calibrated: 2019/1/3
- Phantom: SAM_Right; Type: QD000P40CD; Serial: TP:1683
- Measurement SW: DASY52, Version 52.10 (2); SEMCAD X Version 14.6.12 (7470)

Area Scan (41x71x1): Interpolated grid: dx=1.500 mm, dy=1.500 mm

Maximum value of SAR (interpolated) = 0.946 W/kg

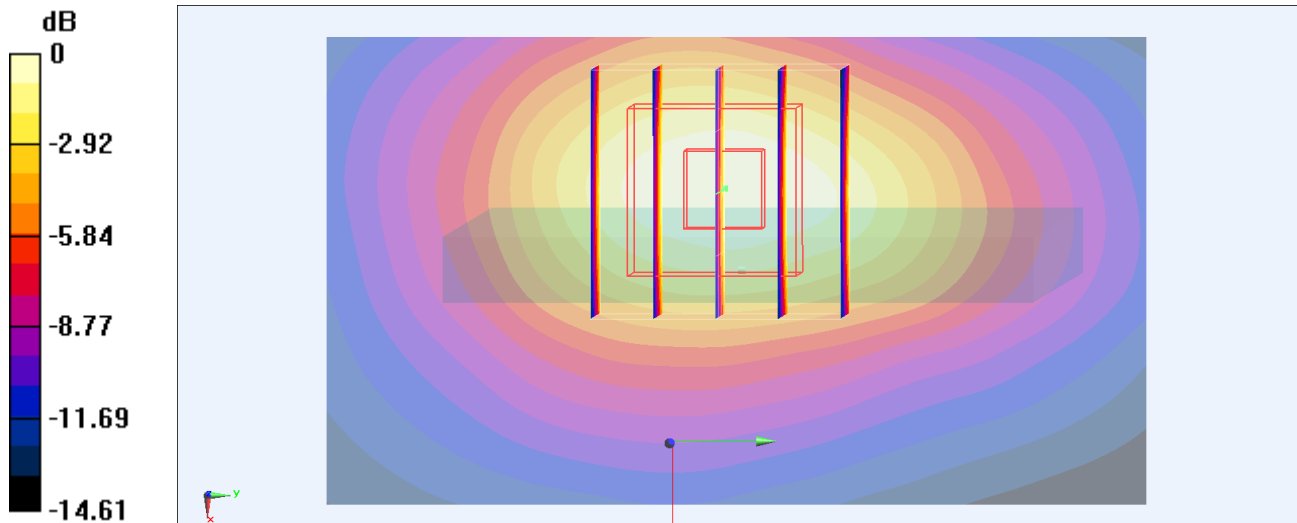
Zoom Scan (5x5x7)/Cube 0: Measurement grid: dx=8mm, dy=8mm, dz=5mm

Reference Value = 19.27 V/m; Power Drift = 0.05 dB

Peak SAR (extrapolated) = 1.14 W/kg

SAR(1 g) = 0.739 W/kg; SAR(10 g) = 0.439 W/kg

Maximum value of SAR (measured) = 0.890 W/kg



#31_LTE Band 38_20M_QPSK_1_99_Front_10mm_Ch38000

Communication System: LTE; Frequency: 2595 MHz; Duty Cycle: 1:1.59

Medium: HSL_2600_191031 Medium parameters used: $f = 2595$ MHz; $\sigma = 1.971$ S/m; $\epsilon_r = 38.408$; $\rho = 1000$ kg/m³

Ambient Temperature : 23.7 °C ; Liquid Temperature : 22.7 °C

DASY5 Configuration:

- Probe: ES3DV3 - SN3124; ConvF(4.37, 4.37, 4.37) @ 2595 MHz; Calibrated: 2019/1/15
- Sensor-Surface: 3mm (Mechanical Surface Detection)
- Electronics: DAE4 Sn316; Calibrated: 2019/1/3
- Phantom: SAM_Right; Type: QD000P40CD; Serial: TP:1683
- Measurement SW: DASY52, Version 52.10 (2); SEMCAD X Version 14.6.12 (7470)

Area Scan (81x141x1): Interpolated grid: dx=1.200 mm, dy=1.200 mm

Maximum value of SAR (interpolated) = 0.263 W/kg

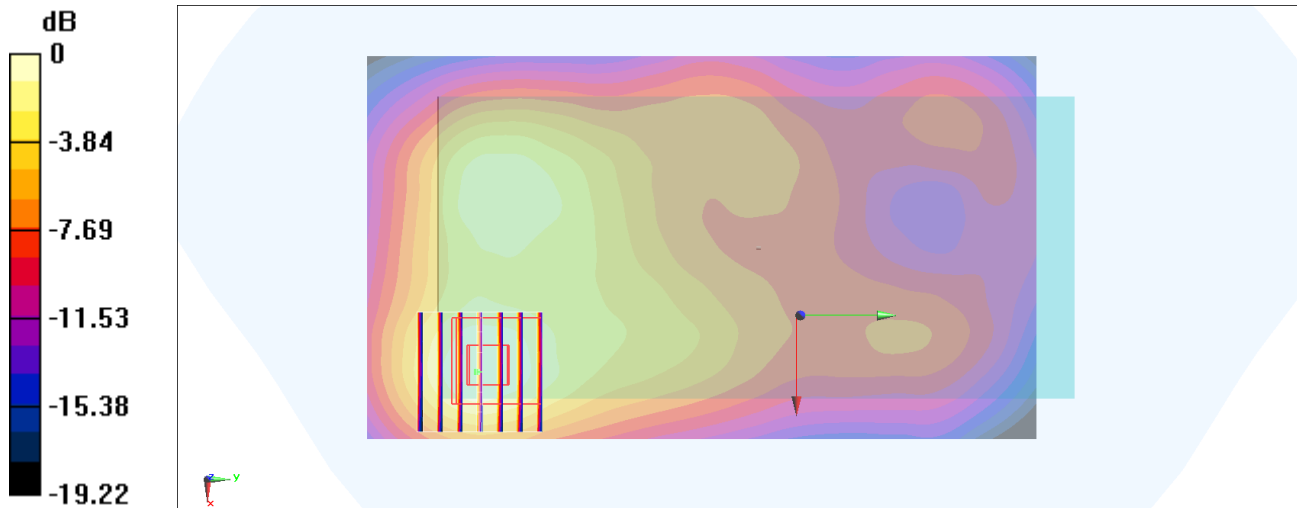
Zoom Scan (7x7x7)/Cube 0: Measurement grid: dx=5mm, dy=5mm, dz=5mm

Reference Value = 9.557 V/m; Power Drift = -0.07 dB

Peak SAR (extrapolated) = 0.391 W/kg

SAR(1 g) = 0.203 W/kg; SAR(10 g) = 0.105 W/kg

Maximum value of SAR (measured) = 0.253 W/kg



0 dB = 0.253 W/kg = -5.97 dBW/kg

#32_LTE Band 41_20M_QPSK_1_0_Front_10mm_Ch41055

Communication System: LTE; Frequency: 2636.5 MHz; Duty Cycle: 1:1.59

Medium: HSL_2600_191031 Medium parameters used : $f = 2636.5$ MHz; $\sigma = 2.023$ S/m; $\epsilon_r = 38.274$; $\rho = 1000$ kg/m³

Ambient Temperature : 23.7 °C ; Liquid Temperature : 22.7 °C

DASY5 Configuration:

- Probe: ES3DV3 - SN3124; ConvF(4.37, 4.37, 4.37) @ 2636.5 MHz; Calibrated: 2019/1/15
- Sensor-Surface: 3mm (Mechanical Surface Detection)
- Electronics: DAE4 Sn316; Calibrated: 2019/1/3
- Phantom: SAM_Left; Type: QD000P40CD; Serial: TP:1684
- Measurement SW: DASY52, Version 52.10 (2); SEMCAD X Version 14.6.12 (7470)

Area Scan (81x91x1): Interpolated grid: dx=1.200 mm, dy=1.200 mm

Maximum value of SAR (interpolated) = 0.185 W/kg

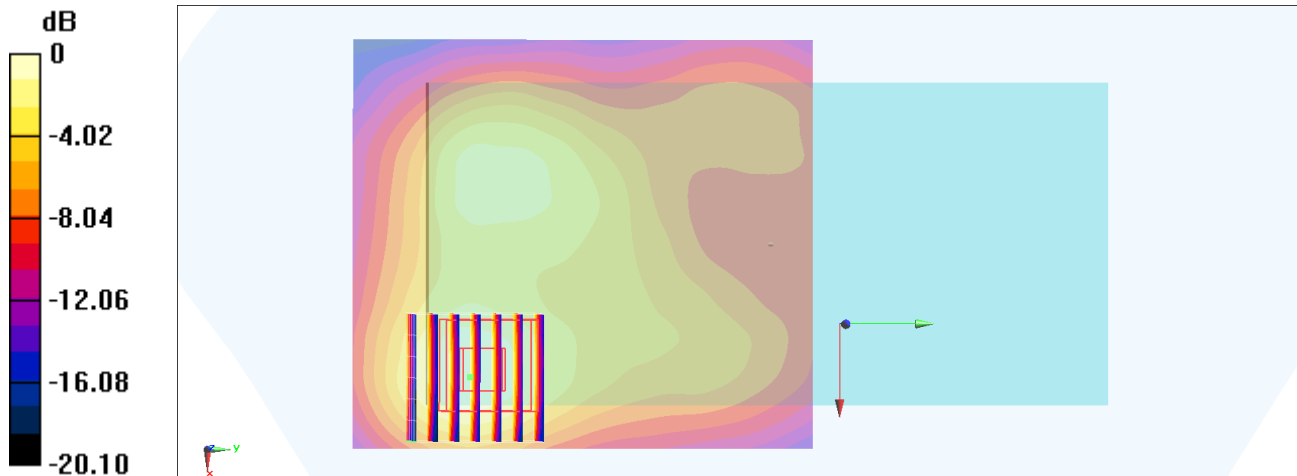
Zoom Scan (7x7x7)/Cube 0: Measurement grid: dx=5mm, dy=5mm, dz=5mm

Reference Value = 7.527 V/m; Power Drift = -0.13 dB

Peak SAR (extrapolated) = 0.272 W/kg

SAR(1 g) = 0.137 W/kg; SAR(10 g) = 0.069 W/kg

Maximum value of SAR (measured) = 0.171 W/kg



0 dB = 0.171 W/kg = -7.67 dBW/kg

#33_WLAN2.4GHz_802.11b 1Mbps_Back_10mm_Ch6

Communication System: 802.11b; Frequency: 2437 MHz; Duty Cycle: 1:1.009

Medium: HSL_2450_191029 Medium parameters used: $f = 2437$ MHz; $\sigma = 1.796$ S/m; $\epsilon_r = 38.514$; $\rho = 1000$ kg/m³

Ambient Temperature : 23.6 °C ; Liquid Temperature : 22.6 °C

DASY5 Configuration:

- Probe: ES3DV3 - SN3124; ConvF(4.49, 4.49, 4.49) @ 2437 MHz; Calibrated: 2019/1/15
- Sensor-Surface: 3mm (Mechanical Surface Detection)
- Electronics: DAE4 Sn316; Calibrated: 2019/1/3
- Phantom: SAM_Left; Type: QD000P40CD; Serial: TP:1684
- Measurement SW: DASY52, Version 52.10 (2); SEMCAD X Version 14.6.12 (7470)

Area Scan (91x81x1): Interpolated grid: dx=1.200 mm, dy=1.200 mm

Maximum value of SAR (interpolated) = 1.26 W/kg

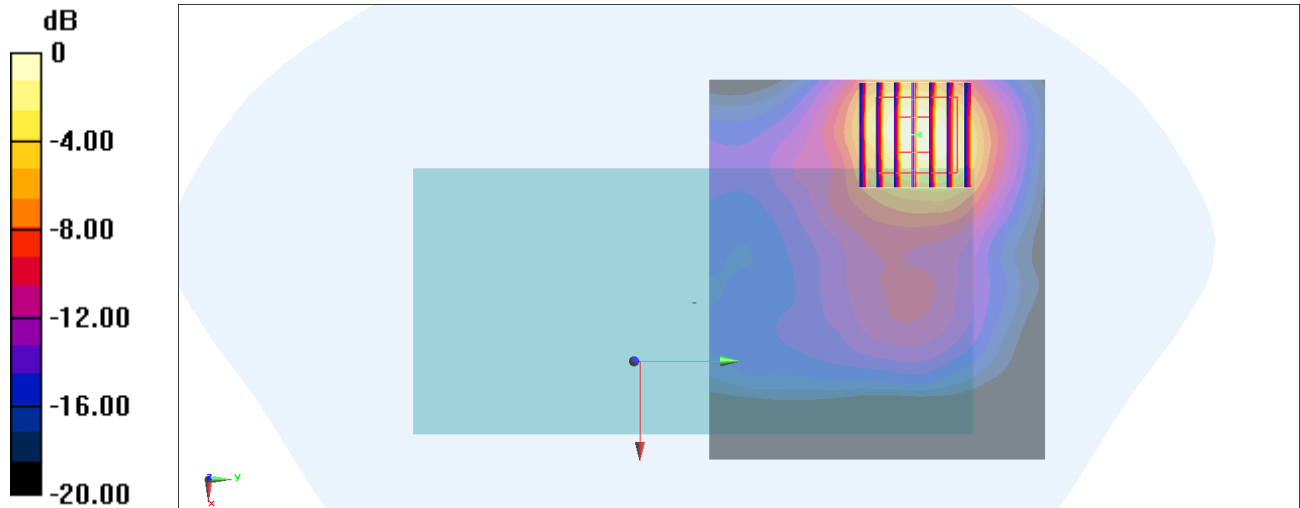
Zoom Scan (7x7x7)/Cube 0: Measurement grid: dx=5mm, dy=5mm, dz=5mm

Reference Value = 24.11 V/m; Power Drift = 0.15 dB

Peak SAR (extrapolated) = 1.63 W/kg

SAR(1 g) = 0.920 W/kg; SAR(10 g) = 0.450 W/kg

Maximum value of SAR (measured) = 1.17 W/kg



0 dB = 1.17 W/kg = 0.68 dBW/kg

#34_WLAN5GHz_802.11n-HT40 MCS0_Right Side_10mm_Ch46

Communication System: 802.11n ; Frequency: 5230 MHz;Duty Cycle: 1:1.042

Medium: HSL_5G_191102 Medium parameters used: $f = 5230$ MHz; $\sigma = 4.489$ S/m; $\epsilon_r = 37.374$; $\rho = 1000$ kg/m³

Ambient Temperature : 23.3 °C ; Liquid Temperature : 22.3 °C

DASY5 Configuration:

- Probe: EX3DV4 - SN7346; ConvF(5.36, 5.36, 5.36) @ 5230 MHz; Calibrated: 2019/4/25
- Sensor-Surface: 1.4mm (Mechanical Surface Detection)
- Electronics: DAE4 Sn853; Calibrated: 2019/7/18
- Phantom: SAM_Right; Type: SAM; Serial: TP:1681
- Measurement SW: DASY52, Version 52.10 (2);SEMCAD X Version 14.6.12 (7470)

Area Scan (61x121x1): Interpolated grid: dx=1.000 mm, dy=1.000 mm

Maximum value of SAR (interpolated) = 1.67 W/kg

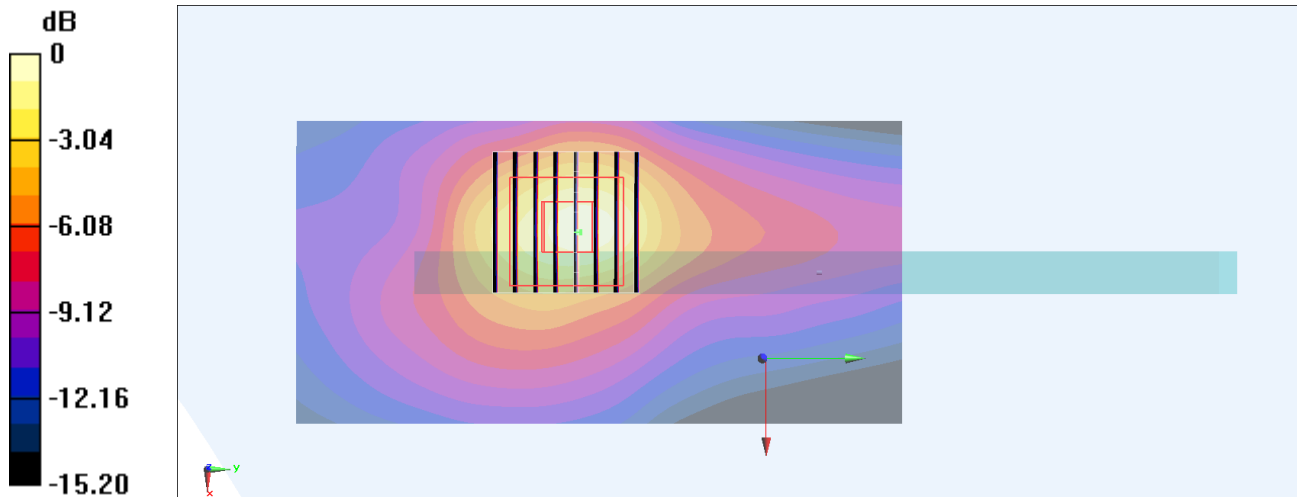
Zoom Scan (8x8x7)/Cube 0: Measurement grid: dx=4mm, dy=4mm, dz=1.4mm

Reference Value = 18.45 V/m; Power Drift = 0.01 dB

Peak SAR (extrapolated) = 2.74 W/kg

SAR(1 g) = 0.856 W/kg; SAR(10 g) = 0.344 W/kg

Maximum value of SAR (measured) = 1.82 W/kg



0 dB = 1.82 W/kg = 2.60 dBW/kg

#35_WLAN5GHz_802.11ac-VHT80 MCS0_Right Side_10mm_Ch155

Communication System: 802.11ac ; Frequency: 5775 MHz; Duty Cycle: 1:1.101

Medium: HSL_5G_191102 Medium parameters used: $f = 5775$ MHz; $\sigma = 5.017$ S/m; $\epsilon_r = 36.658$; $\rho = 1000$ kg/m³

Ambient Temperature : 23.3 °C ; Liquid Temperature : 22.3 °C

DASY5 Configuration:

- Probe: EX3DV4 - SN7346; ConvF(4.78, 4.78, 4.78) @ 5775 MHz; Calibrated: 2019/4/25
- Sensor-Surface: 1.4mm (Mechanical Surface Detection)
- Electronics: DAE4 Sn853; Calibrated: 2019/7/18
- Phantom: SAM_Right; Type: SAM; Serial: TP:1681
- Measurement SW: DASY52, Version 52.10 (2); SEMCAD X Version 14.6.12 (7470)

Area Scan (61x121x1): Interpolated grid: dx=1.000 mm, dy=1.000 mm

Maximum value of SAR (interpolated) = 2.00 W/kg

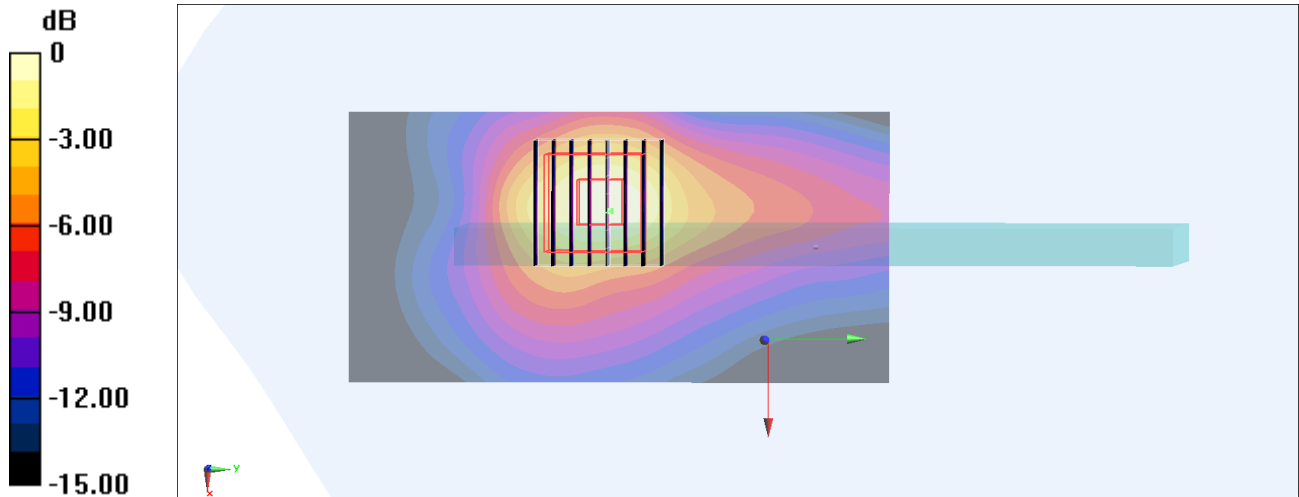
Zoom Scan (8x8x7)/Cube 0: Measurement grid: dx=4mm, dy=4mm, dz=1.4mm

Reference Value = 18.41 V/m; Power Drift = 0.02 dB

Peak SAR (extrapolated) = 3.25 W/kg

SAR(1 g) = 0.973 W/kg; SAR(10 g) = 0.379 W/kg

Maximum value of SAR (measured) = 2.04 W/kg



0 dB = 2.04 W/kg = 3.10 dBW/kg

#36_GSM850_GPRS (4 Tx slots)_Back_10mm_Ch251

Communication System: GSM850; Frequency: 848.8 MHz; Duty Cycle: 1:2.08

Medium: HSL_850_191104 Medium parameters used: $f = 849$ MHz; $\sigma = 0.921$ S/m; $\epsilon_r = 40.447$; $\rho = 1000$ kg/m³

Ambient Temperature : 23.6 °C ; Liquid Temperature : 22.6 °C

DASY5 Configuration:

- Probe: ES3DV3 - SN3124; ConvF(5.97, 5.97, 5.97) @ 848.8 MHz; Calibrated: 2019/1/15
- Sensor-Surface: 3mm (Mechanical Surface Detection)
- Electronics: DAE4 Sn316; Calibrated: 2019/1/3
- Phantom: SAM_Left; Type: QD000P40CD; Serial: TP:1684
- Measurement SW: DASY52, Version 52.10 (2); SEMCAD X Version 14.6.12 (7470)

Area Scan (61x101x1): Interpolated grid: dx=1.500 mm, dy=1.500 mm

Maximum value of SAR (interpolated) = 0.501 W/kg

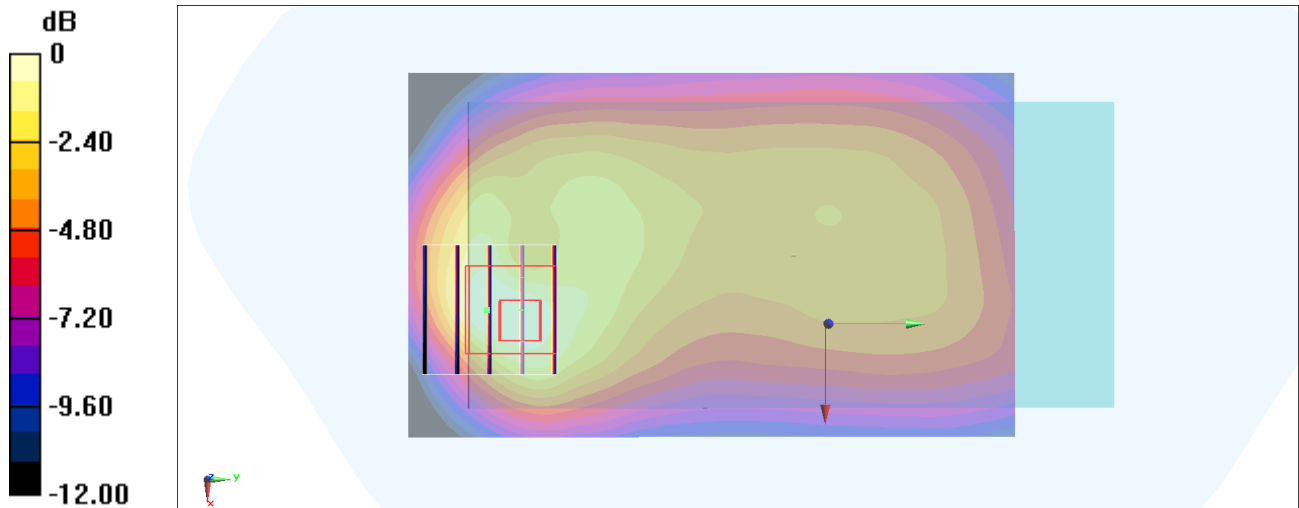
Zoom Scan (5x5x7)/Cube 0: Measurement grid: dx=8mm, dy=8mm, dz=5mm

Reference Value = 15.44 V/m; Power Drift = -0.10 dB

Peak SAR (extrapolated) = 0.702 W/kg

SAR(1 g) = 0.394 W/kg; SAR(10 g) = 0.221 W/kg

Maximum value of SAR (measured) = 0.472 W/kg



0 dB = 0.472 W/kg = -3.26 dBW/kg

#37_GSM1900_GPRS (4 Tx slots)_Back_10mm_Ch810

Communication System: PCS; Frequency: 1909.8 MHz; Duty Cycle: 1:2.08

Medium: HSL_1900_191103 Medium parameters used: $f = 1910$ MHz; $\sigma = 1.42$ S/m; $\epsilon_r = 40.464$; $\rho = 1000$ kg/m³

Ambient Temperature : 23.3 °C ; Liquid Temperature : 22.3 °C

DASY5 Configuration:

- Probe: ES3DV3 - SN3124; ConvF(4.95, 4.95, 4.95) @ 1909.8 MHz; Calibrated: 2019/1/15
- Sensor-Surface: 3mm (Mechanical Surface Detection)
- Electronics: DAE4 Sn316; Calibrated: 2019/1/3
- Phantom: SAM_Right; Type: QD000P40CD; Serial: TP:1683
- Measurement SW: DASY52, Version 52.10 (2); SEMCAD X Version 14.6.12 (7470)

Area Scan (61x71x1): Interpolated grid: dx=1.500 mm, dy=1.500 mm

Maximum value of SAR (interpolated) = 0.621 W/kg

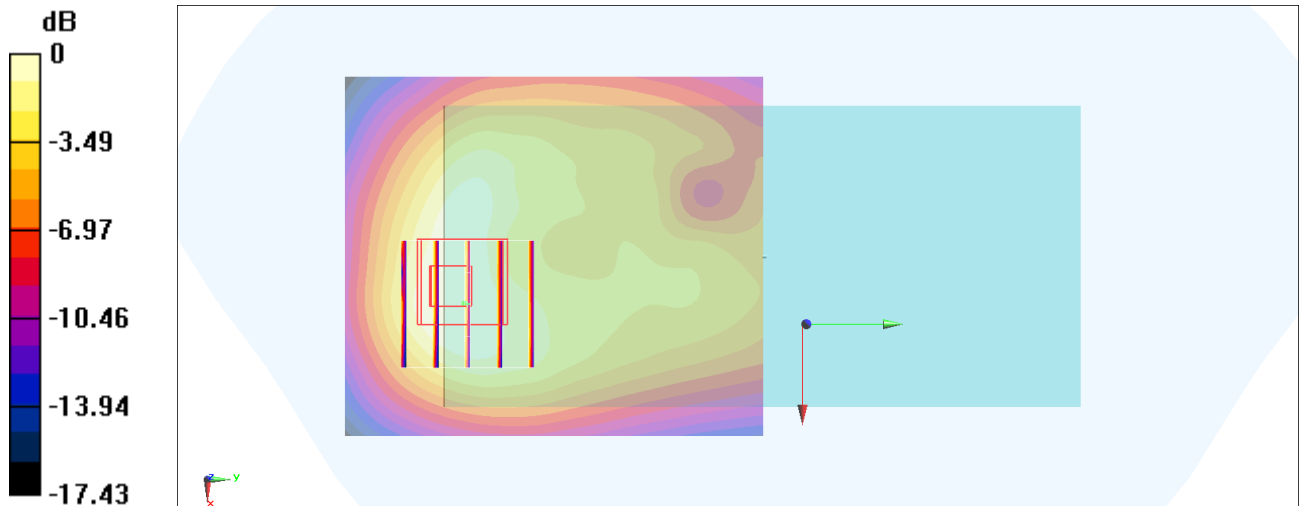
Zoom Scan (5x5x7)/Cube 0: Measurement grid: dx=8mm, dy=8mm, dz=5mm

Reference Value = 17.95 V/m; Power Drift = -0.09 dB

Peak SAR (extrapolated) = 1.47 W/kg

SAR(1 g) = 0.518 W/kg; SAR(10 g) = 0.293 W/kg

Maximum value of SAR (measured) = 0.585 W/kg



0 dB = 0.585 W/kg = -2.33 dBW/kg

#38_WCDMA II_RMC 12.2Kbps_Back_10mm_Ch9538

Communication System: WCDMA; Frequency: 1907.6 MHz; Duty Cycle: 1:1

Medium: HSL_1900_191030 Medium parameters used: $f = 1908$ MHz; $\sigma = 1.445$ S/m; $\epsilon_r = 38.447$; $\rho = 1000$ kg/m³

Ambient Temperature : 23.2 °C; Liquid Temperature : 22.2 °C

DASY5 Configuration:

- Probe: EX3DV4 - SN3642; ConvF(7.91, 7.91, 7.91) @ 1907.6 MHz; Calibrated: 2019/4/29
- Sensor-Surface: 1.4mm (Mechanical Surface Detection)
- Electronics: DAE4 Sn1311; Calibrated: 2019/8/27
- Phantom: SAM_Left; Type: QD000P40CD; Serial: TP:1477
- Measurement SW: DASY52, Version 52.10 (2); SEMCAD X Version 14.6.12 (7470)

Area Scan (71x81x1): Interpolated grid: dx=1.500 mm, dy=1.500 mm

Maximum value of SAR (interpolated) = 1.67 W/kg

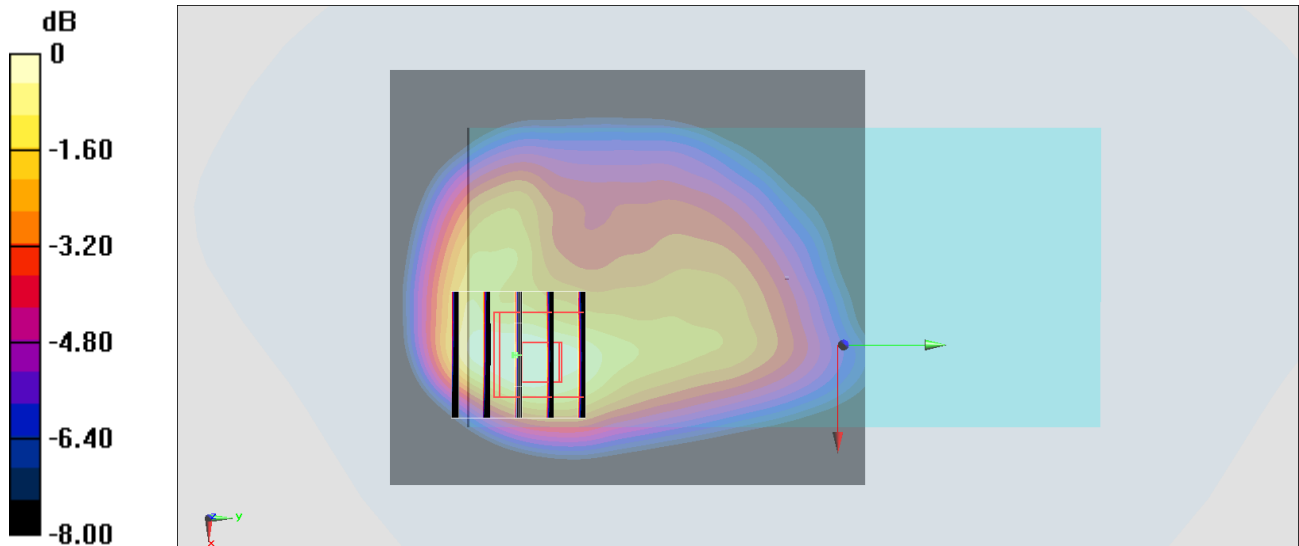
Zoom Scan (5x5x7)/Cube 0: Measurement grid: dx=8mm, dy=8mm, dz=5mm

Reference Value = 21.16 V/m; Power Drift = -0.04 dB

Peak SAR (extrapolated) = 1.83 W/kg

SAR(1 g) = 1.03 W/kg; SAR(10 g) = 0.588 W/kg

Maximum value of SAR (measured) = 1.51 W/kg



0 dB = 1.51 W/kg = 1.79 dBW/kg

#39_WCDMA V_RMC 12.2Kbps_Back_10mm_Ch4233

Communication System: WCDMA ; Frequency: 846.6 MHz; Duty Cycle: 1:1

Medium: HSL_850_191107 Medium parameters used: $f = 847$ MHz; $\sigma = 0.884$ S/m; $\epsilon_r = 42.818$; $\rho = 1000$ kg/m³

Ambient Temperature : 23.3 °C ; Liquid Temperature : 22.3 °C

DASY5 Configuration:

- Probe: ES3DV3 - SN3124; ConvF(5.97, 5.97, 5.97) @ 846.6 MHz; Calibrated: 2019/1/15
- Sensor-Surface: 3mm (Mechanical Surface Detection)
- Electronics: DAE4 Sn316; Calibrated: 2019/1/3
- Phantom: SAM_Left; Type: QD000P40CD; Serial: TP:1477
- Measurement SW: DASY52, Version 52.10 (2); SEMCAD X Version 14.6.12 (7470)

Area Scan (61x91x1): Interpolated grid: dx=1.500 mm, dy=1.500 mm

Maximum value of SAR (interpolated) = 0.531 W/kg

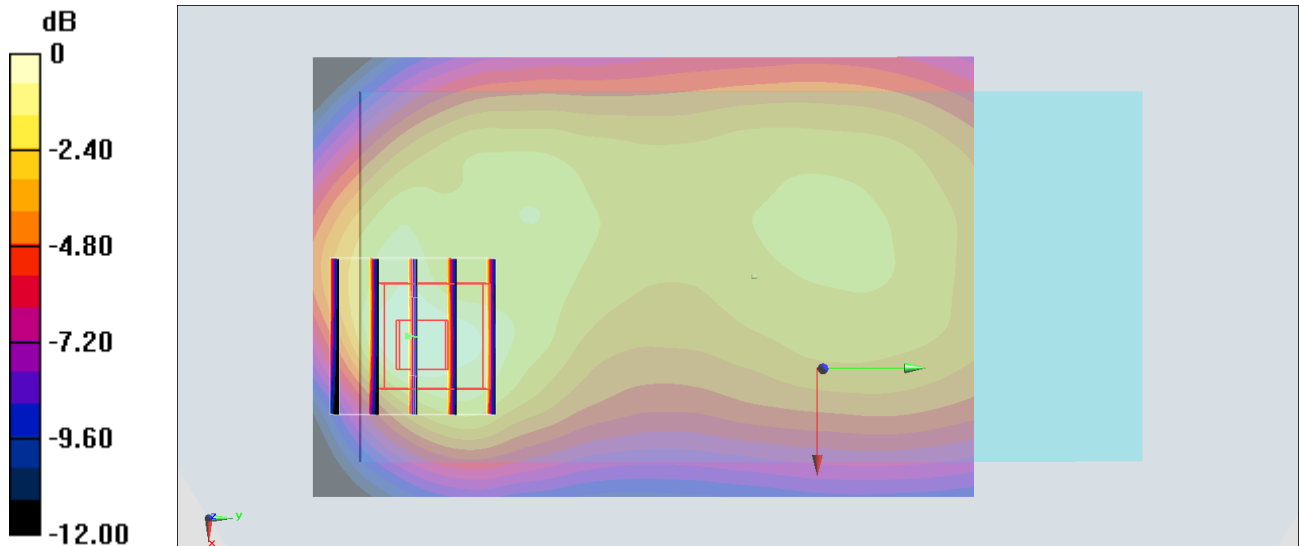
Zoom Scan (5x5x7)/Cube 0: Measurement grid: dx=8mm, dy=8mm, dz=5mm

Reference Value = 17.61 V/m; Power Drift = -0.14 dB

Peak SAR (extrapolated) = 0.699 W/kg

SAR(1 g) = 0.392 W/kg; SAR(10 g) = 0.226 W/kg

Maximum value of SAR (measured) = 0.481 W/kg



0 dB = 0.481 W/kg = -3.18 dBW/kg

#40_CDMA BC1_1xRTT RC3 SO32_Front_10mm_Ch1175

Communication System: CDMA; Frequency: 1908.75 MHz; Duty Cycle: 1:1

Medium: HSL_1900_191103 Medium parameters used: $f = 1909$ MHz; $\sigma = 1.42$ S/m; $\epsilon_r = 40.462$; $\rho = 1000$ kg/m³

Ambient Temperature : 23.3 °C ; Liquid Temperature : 22.3 °C

DASY5 Configuration:

- Probe: ES3DV3 - SN3124; ConvF(4.95, 4.95, 4.95) @ 1908.75 MHz; Calibrated: 2019/1/15
- Sensor-Surface: 3mm (Mechanical Surface Detection)
- Electronics: DAE4 Sn316; Calibrated: 2019/1/3
- Phantom: SAM_Right; Type: QD000P40CD; Serial: TP:1683
- Measurement SW: DASY52, Version 52.10 (2); SEMCAD X Version 14.6.12 (7470)

Area Scan (71x71x1): Interpolated grid: dx=1.500 mm, dy=1.500 mm

Maximum value of SAR (interpolated) = 1.27 W/kg

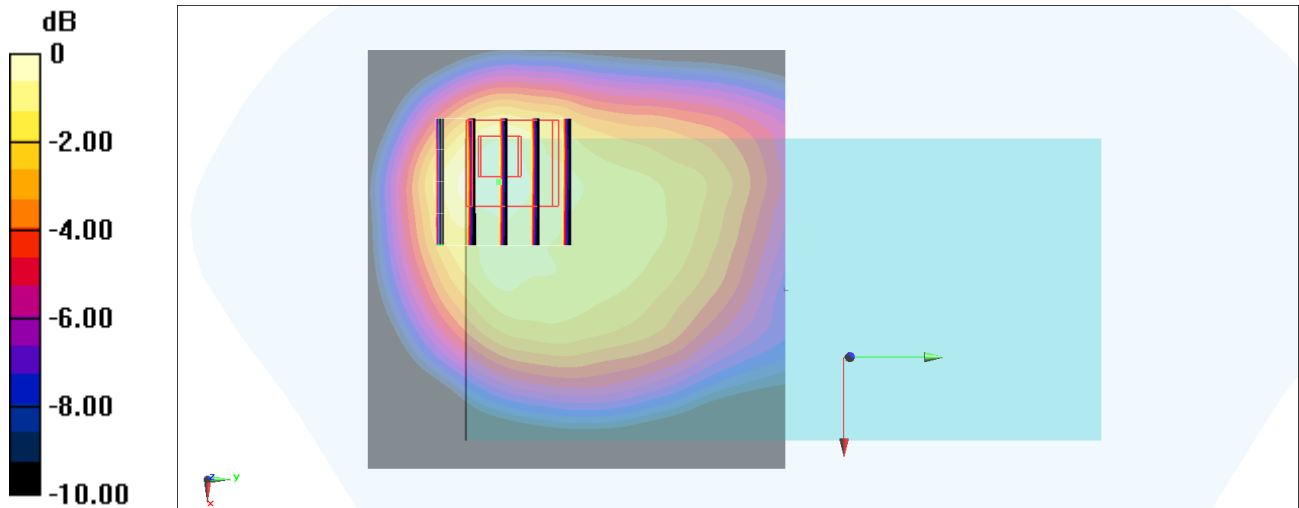
Zoom Scan (5x5x7)/Cube 0: Measurement grid: dx=8mm, dy=8mm, dz=5mm

Reference Value = 15.01 V/m; Power Drift = 0.01 dB

Peak SAR (extrapolated) = 1.65 W/kg

SAR(1 g) = 0.999 W/kg; SAR(10 g) = 0.599 W/kg

Maximum value of SAR (measured) = 1.21 W/kg



0 dB = 1.21 W/kg = 0.83 dBW/kg

#41_LTE Band 7_20M_QPSK_1_99_Back_10mm_Ch20850

Communication System: LTE; Frequency: 2510 MHz; Duty Cycle: 1:1

Medium: HSL_2600_191105 Medium parameters used: $f = 2510$ MHz; $\sigma = 1.857$ S/m; $\epsilon_r = 38.724$; $\rho = 1000$ kg/m³

Ambient Temperature : 23.5 °C ; Liquid Temperature : 22.5 °C

DASY5 Configuration:

- Probe: ES3DV3 - SN3124; ConvF(4.49, 4.49, 4.49) @ 2510 MHz; Calibrated: 2019/1/15
- Sensor-Surface: 3mm (Mechanical Surface Detection)
- Electronics: DAE4 Sn316; Calibrated: 2019/1/3
- Phantom: SAM_Right; Type: QD000P40CD; Serial: TP:1683
- Measurement SW: DASY52, Version 52.10 (2); SEMCAD X Version 14.6.12 (7470)

Area Scan (81x81x1): Interpolated grid: dx=1.200 mm, dy=1.200 mm

Maximum value of SAR (interpolated) = 1.23 W/kg

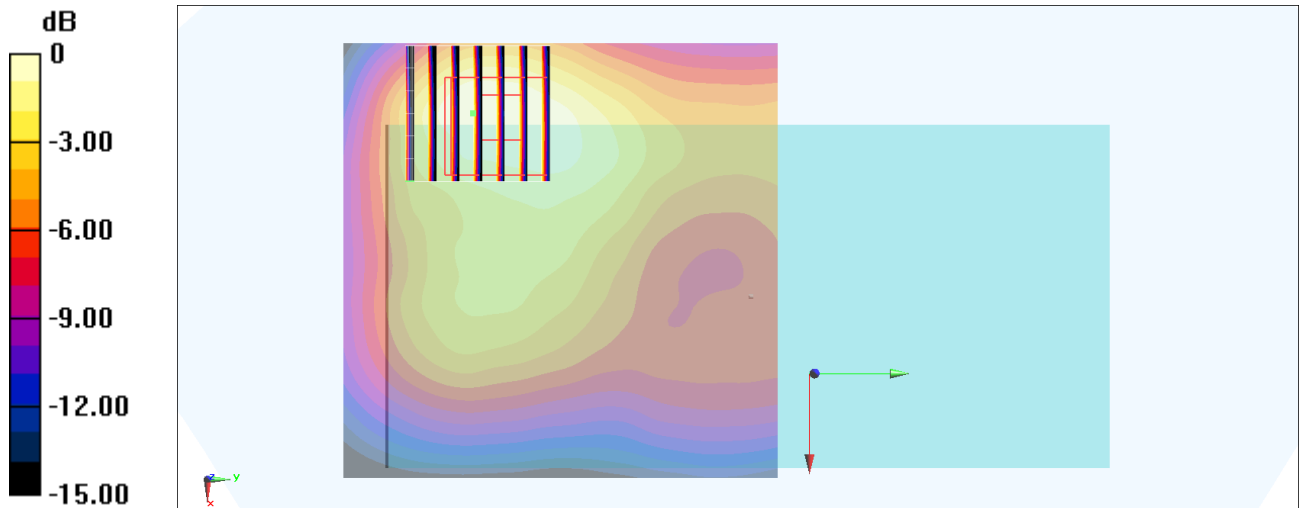
Zoom Scan (7x7x7)/Cube 0: Measurement grid: dx=5mm, dy=5mm, dz=5mm

Reference Value = 12.03 V/m; Power Drift = -0.13 dB

Peak SAR (extrapolated) = 1.68 W/kg

SAR(1 g) = 0.929 W/kg; SAR(10 g) = 0.508 W/kg

Maximum value of SAR (measured) = 1.16 W/kg



0 dB = 1.16 W/kg = 0.64 dBW/kg

#42_LTE Band 13_10M_QPSK_1_25_Back_10mm_Ch23230

Communication System: LTE; Frequency: 782 MHz; Duty Cycle: 1:1

Medium: HSL_750_191107 Medium parameters used: $f = 782 \text{ MHz}$; $\sigma = 0.925 \text{ S/m}$; $\epsilon_r = 41.376$; $\rho = 1000 \text{ kg/m}^3$

Ambient Temperature : $23.7 \text{ }^\circ\text{C}$; Liquid Temperature : $22.7 \text{ }^\circ\text{C}$

DASY5 Configuration:

- Probe: EX3DV4 - SN3925; ConvF(10.33, 10.33, 10.33) @ 782 MHz; Calibrated: 2019/9/20
- Sensor-Surface: 1.4mm (Mechanical Surface Detection)
- Electronics: DAE4 Sn1311; Calibrated: 2019/8/27
- Phantom: SAM_Left; Type: QD000P40CD; Serial: TP:1684
- Measurement SW: DASY52, Version 52.10 (2); SEMCAD X Version 14.6.12 (7470)

Area Scan (71x101x1): Interpolated grid: $dx=1.500 \text{ mm}$, $dy=1.500 \text{ mm}$

Maximum value of SAR (interpolated) = 0.481 W/kg

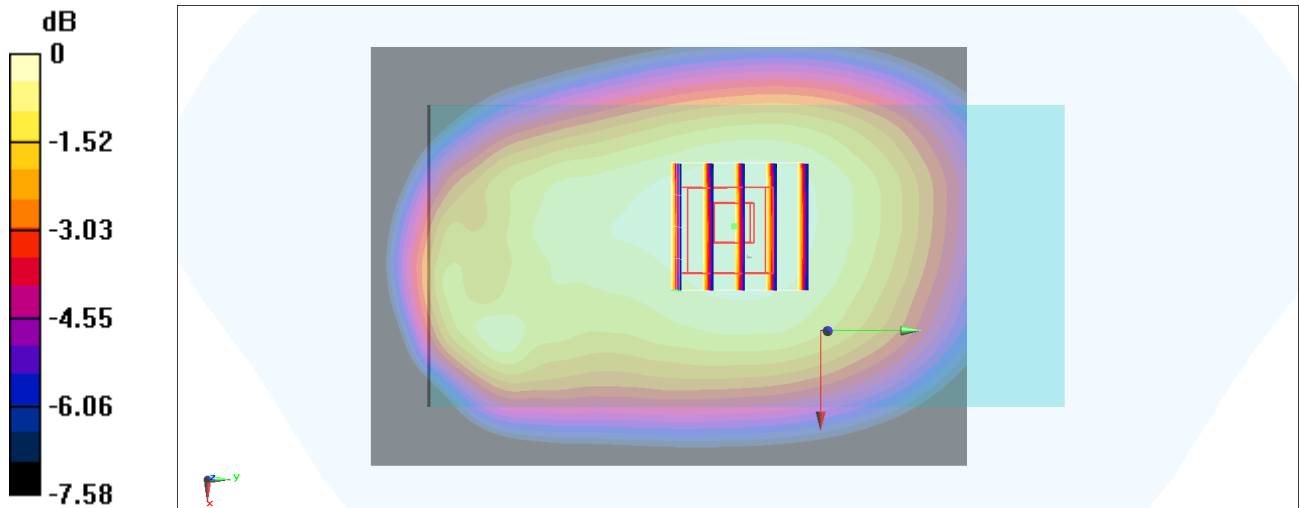
Zoom Scan (5x5x7)/Cube 0: Measurement grid: $dx=8\text{mm}$, $dy=8\text{mm}$, $dz=5\text{mm}$

Reference Value = 23.57 V/m ; Power Drift = -0.01 dB

Peak SAR (extrapolated) = 0.526 W/kg

SAR(1 g) = 0.404 W/kg ; SAR(10 g) = 0.312 W/kg

Maximum value of SAR (measured) = 0.485 W/kg



0 dB = 0.485 W/kg = -3.14 dBW/kg

#43_LTE Band 14_10M_QPSK_1_0_Back_10mm_Ch23330

Communication System: LTE; Frequency: 793 MHz; Duty Cycle: 1:1

Medium: HSL_750_191107 Medium parameters used: $f = 793$ MHz; $\sigma = 0.936$ S/m; $\epsilon_r = 41.215$; $\rho = 1000$ kg/m³

Ambient Temperature : 23.7 °C ; Liquid Temperature : 22.7 °C

DASY5 Configuration:

- Probe: EX3DV4 - SN3925; ConvF(10.33, 10.33, 10.33) @ 793 MHz; Calibrated: 2019/9/20
- Sensor-Surface: 1.4mm (Mechanical Surface Detection)
- Electronics: DAE4 Sn1311; Calibrated: 2019/8/27
- Phantom: SAM_Left; Type: QD000P40CD; Serial: TP:1684
- Measurement SW: DASY52, Version 52.10 (2); SEMCAD X Version 14.6.12 (7470)

Area Scan (71x101x1): Interpolated grid: dx=1.500 mm, dy=1.500 mm

Maximum value of SAR (interpolated) = 0.503 W/kg

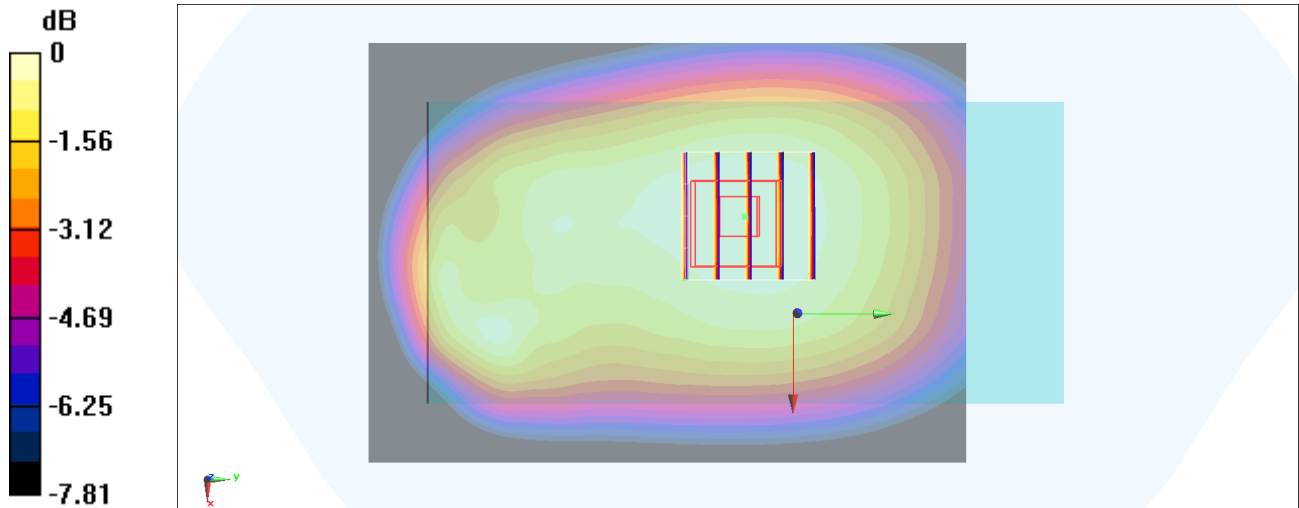
Zoom Scan (5x5x7)/Cube 0: Measurement grid: dx=8mm, dy=8mm, dz=5mm

Reference Value = 24.22 V/m; Power Drift = -0.06 dB

Peak SAR (extrapolated) = 0.554 W/kg

SAR(1 g) = 0.423 W/kg; SAR(10 g) = 0.326 W/kg

Maximum value of SAR (measured) = 0.510 W/kg



0 dB = 0.510 W/kg = -2.92 dBW/kg

#44_LTE Band 25_20M_QPSK_1_0_Front_10mm_Ch26590

Communication System: LTE; Frequency: 1905 MHz; Duty Cycle: 1:1

Medium: HSL_1900_191030 Medium parameters used : $f = 1905$ MHz; $\sigma = 1.442$ S/m; $\epsilon_r = 38.456$; $\rho = 1000$ kg/m³

Ambient Temperature : 23.2 °C; Liquid Temperature : 22.2 °C

DASY5 Configuration:

- Probe: EX3DV4 - SN3642; ConvF(7.91, 7.91, 7.91) @ 1905 MHz; Calibrated: 2019/4/29
- Sensor-Surface: 1.4mm (Mechanical Surface Detection)
- Electronics: DAE4 Sn1311; Calibrated: 2019/8/27
- Phantom: SAM_Left; Type: QD000P40CD; Serial: TP:1477
- Measurement SW: DASY52, Version 52.10 (2); SEMCAD X Version 14.6.12 (7470)

Area Scan (71x81x1): Interpolated grid: dx=1.500 mm, dy=1.500 mm

Maximum value of SAR (interpolated) = 1.50 W/kg

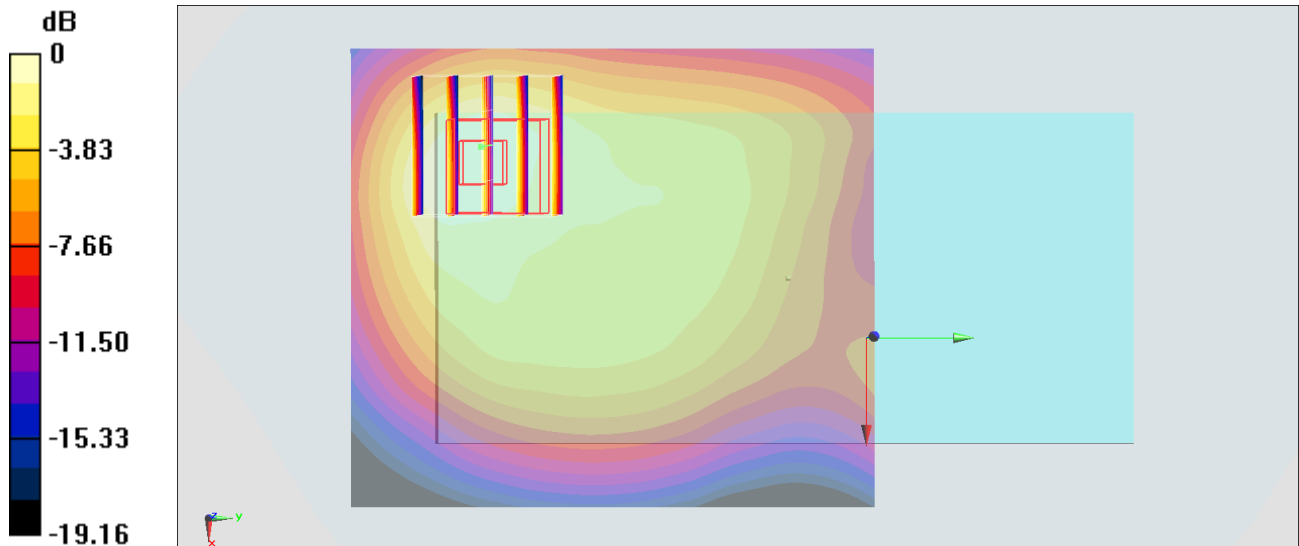
Zoom Scan (5x5x7)/Cube 0: Measurement grid: dx=8mm, dy=8mm, dz=5mm

Reference Value = 17.71 V/m; Power Drift = 0.02 dB

Peak SAR (extrapolated) = 1.84 W/kg

SAR(1 g) = 1.04 W/kg; SAR(10 g) = 0.606 W/kg

Maximum value of SAR (measured) = 1.52 W/kg



0 dB = 1.52 W/kg = 1.82 dBW/kg

#45_LTE Band 26_15M_QPSK_1_37_Back_10mm_Ch26865

Communication System: LTE; Frequency: 831.5 MHz; Duty Cycle: 1:1

Medium: HSL_850_191104 Medium parameters used: $f = 831.5$ MHz; $\sigma = 0.906$ S/m; $\epsilon_r = 40.629$; $\rho = 1000$ kg/m³

Ambient Temperature : 23.6 °C ; Liquid Temperature : 22.6 °C

DASY5 Configuration:

- Probe: ES3DV3 - SN3124; ConvF(5.97, 5.97, 5.97) @ 831.5 MHz; Calibrated: 2019/1/15
- Sensor-Surface: 3mm (Mechanical Surface Detection)
- Electronics: DAE4 Sn316; Calibrated: 2019/1/3
- Phantom: SAM_Left; Type: QD000P40CD; Serial: TP:1684
- Measurement SW: DASY52, Version 52.10 (2); SEMCAD X Version 14.6.12 (7470)

Area Scan (71x111x1): Interpolated grid: dx=1.500 mm, dy=1.500 mm

Maximum value of SAR (interpolated) = 0.569 W/kg

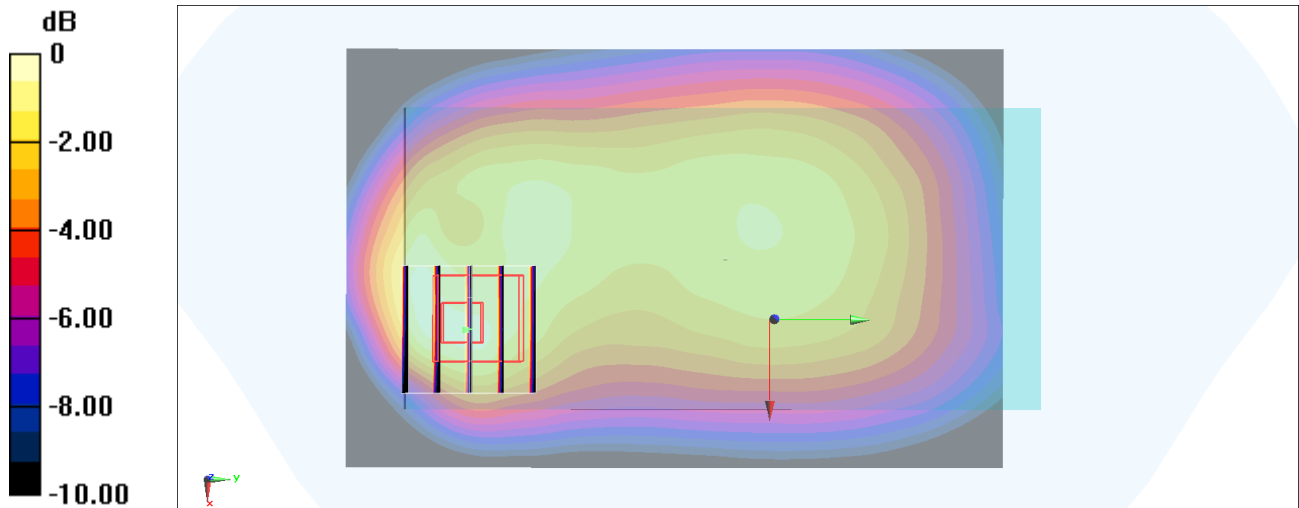
Zoom Scan (5x5x7)/Cube 0: Measurement grid: dx=8mm, dy=8mm, dz=5mm

Reference Value = 21.90 V/m; Power Drift = -0.09 dB

Peak SAR (extrapolated) = 0.864 W/kg

SAR(1 g) = 0.491 W/kg; SAR(10 g) = 0.292 W/kg

Maximum value of SAR (measured) = 0.595 W/kg



0 dB = 0.595 W/kg = -2.25 dBW/kg

#46_LTE Band 30_10M_QPSK_1_25_Back_10mm_Ch27710

Communication System: LTE; Frequency: 2310 MHz; Duty Cycle: 1:1

Medium: HSL_2300_191106 Medium parameters used: $f = 2310$ MHz; $\sigma = 1.654$ S/m; $\epsilon_r = 39.732$; $\rho = 1000$ kg/m³

Ambient Temperature : 23.3 °C; Liquid Temperature : 22.3 °C

DASY5 Configuration:

- Probe: EX3DV4 - SN3925; ConvF(7.87, 7.87, 7.87) @ 2310 MHz; Calibrated: 2019/9/20
- Sensor-Surface: 1.4mm (Mechanical Surface Detection)
- Electronics: DAE4 Sn1311; Calibrated: 2019/8/27
- Phantom: SAM_Right; Type: QD000P40CD; Serial: TP:1683
- Measurement SW: DASY52, Version 52.10 (2); SEMCAD X Version 14.6.12 (7470)

Area Scan (81x81x1): Interpolated grid: dx=1.200 mm, dy=1.200 mm

Maximum value of SAR (interpolated) = 1.79 W/kg

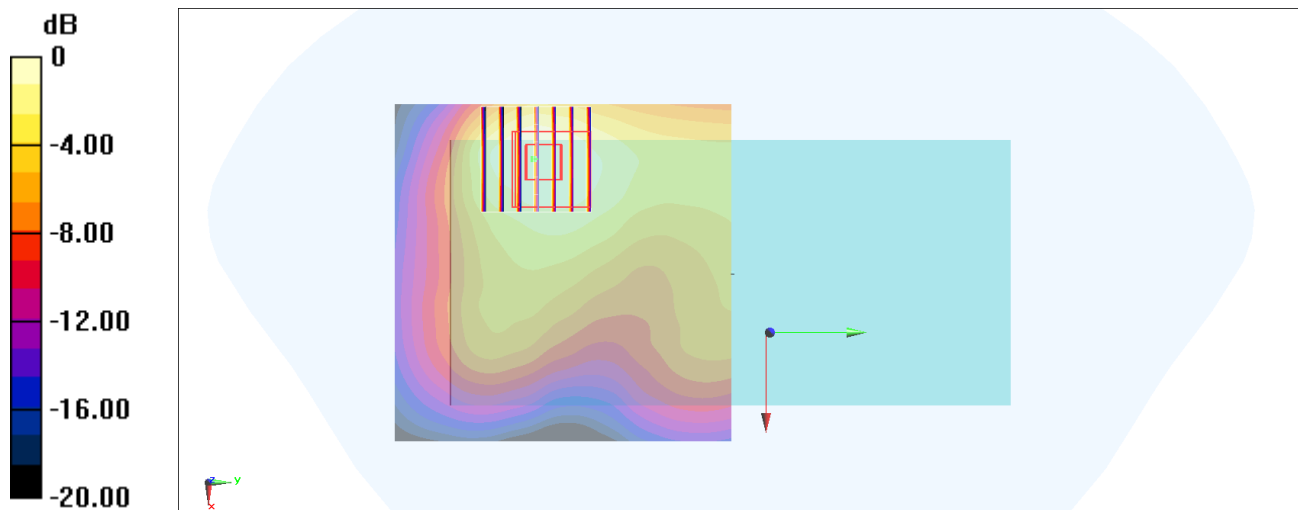
Zoom Scan (7x7x7)/Cube 0: Measurement grid: dx=5mm, dy=5mm, dz=5mm

Reference Value = 23.73 V/m; Power Drift = -0.03 dB

Peak SAR (extrapolated) = 1.91 W/kg

SAR(1 g) = 1.03 W/kg; SAR(10 g) = 0.564 W/kg

Maximum value of SAR (measured) = 1.57 W/kg



0 dB = 1.57 W/kg = 1.96 dBW/kg

#47_LTE Band 66_20M_QPSK_1_0_Front_10mm_Ch132572

Communication System: LTE; Frequency: 1770 MHz; Duty Cycle: 1:1

Medium: HSL_1750_191102 Medium parameters used: $f = 1770$ MHz; $\sigma = 1.397$ S/m; $\epsilon_r = 39.563$; $\rho = 1000$ kg/m³

Ambient Temperature : 23.5 °C ; Liquid Temperature : 22.5 °C

DASY5 Configuration:

- Probe: ES3DV3 - SN3124; ConvF(5.18, 5.18, 5.18) @ 1770 MHz; Calibrated: 2019/1/15
- Sensor-Surface: 3mm (Mechanical Surface Detection)
- Electronics: DAE4 Sn316; Calibrated: 2019/1/3
- Phantom: SAM_Right; Type: QD000P40CD; Serial: TP:1683
- Measurement SW: DASY52, Version 52.10 (2); SEMCAD X Version 14.6.12 (7470)

Area Scan (61x71x1): Interpolated grid: dx=1.500 mm, dy=1.500 mm

Maximum value of SAR (interpolated) = 0.849 W/kg

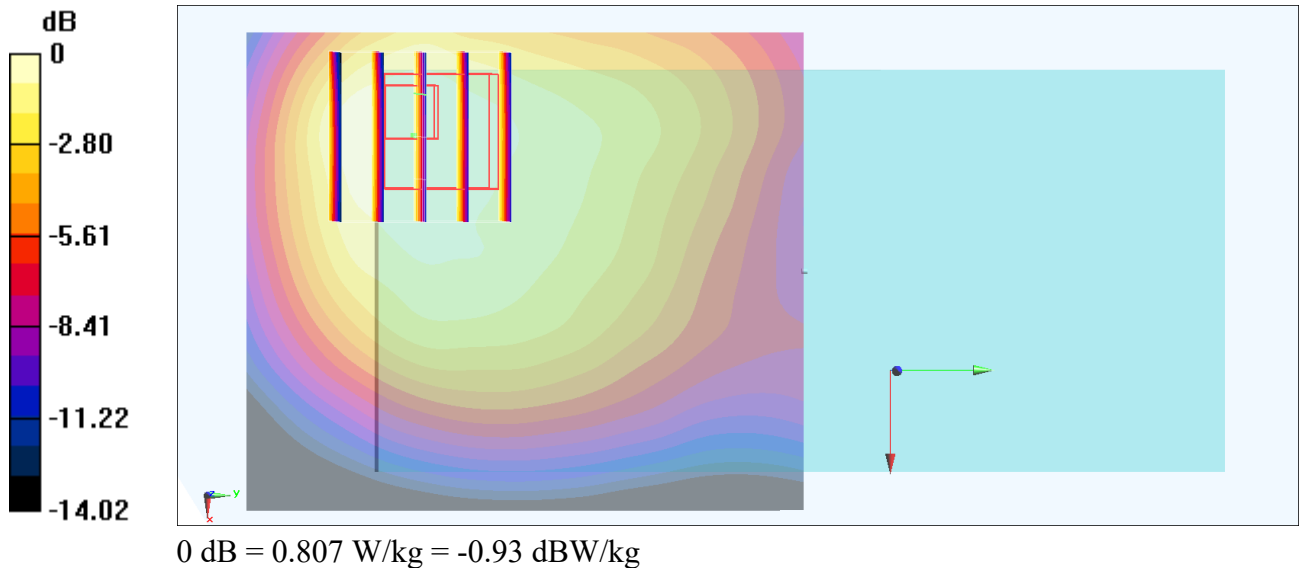
Zoom Scan (5x5x7)/Cube 0: Measurement grid: dx=8mm, dy=8mm, dz=5mm

Reference Value = 22.61 V/m; Power Drift = -0.13 dB

Peak SAR (extrapolated) = 1.07 W/kg

SAR(1 g) = 0.685 W/kg; SAR(10 g) = 0.441 W/kg

Maximum value of SAR (measured) = 0.807 W/kg



#48_WLAN2.4GHz_802.11b 1Mbps_Back_10mm_Ch6

Communication System: 802.11b; Frequency: 2437 MHz; Duty Cycle: 1:1.009

Medium: HSL_2450_191029 Medium parameters used: $f = 2437$ MHz; $\sigma = 1.796$ S/m; $\epsilon_r = 38.514$; $\rho = 1000$ kg/m³

Ambient Temperature : 23.6 °C ; Liquid Temperature : 22.6 °C

DASY5 Configuration:

- Probe: ES3DV3 - SN3124; ConvF(4.49, 4.49, 4.49) @ 2437 MHz; Calibrated: 2019/1/15
- Sensor-Surface: 3mm (Mechanical Surface Detection)
- Electronics: DAE4 Sn316; Calibrated: 2019/1/3
- Phantom: SAM_Left; Type: QD000P40CD; Serial: TP:1684
- Measurement SW: DASY52, Version 52.10 (2); SEMCAD X Version 14.6.12 (7470)

Area Scan (91x81x1): Interpolated grid: dx=1.200 mm, dy=1.200 mm

Maximum value of SAR (interpolated) = 1.26 W/kg

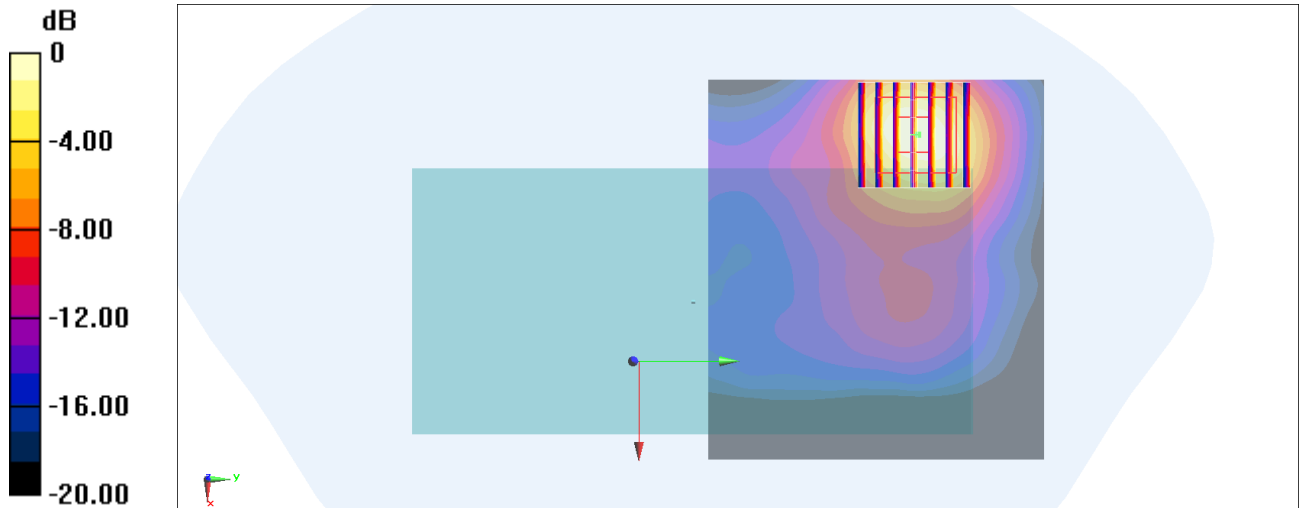
Zoom Scan (7x7x7)/Cube 0: Measurement grid: dx=5mm, dy=5mm, dz=5mm

Reference Value = 24.11 V/m; Power Drift = 0.15 dB

Peak SAR (extrapolated) = 1.63 W/kg

SAR(1 g) = 0.920 W/kg; SAR(10 g) = 0.450 W/kg

Maximum value of SAR (measured) = 1.17 W/kg



0 dB = 1.17 W/kg = 0.68 dBW/kg

#49_WLAN5GHz_802.11n-HT40 MCS0_Back_10mm_Ch54

Communication System: 802.11n ; Frequency: 5270 MHz;Duty Cycle: 1:1.048

Medium: HSL_5G_191103 Medium parameters used: $f = 5270$ MHz; $\sigma = 4.726$ S/m; $\epsilon_r = 37.284$; $\rho = 1000$ kg/m³

Ambient Temperature : 23.5 °C ; Liquid Temperature : 22.5 °C

DASY5 Configuration:

- Probe: EX3DV4 - SN7346; ConvF(5.36, 5.36, 5.36) @ 5270 MHz; Calibrated: 2019/4/25
- Sensor-Surface: 1.4mm (Mechanical Surface Detection)
- Electronics: DAE4 Sn853; Calibrated: 2019/7/18
- Phantom: SAM_Right; Type: SAM; Serial: TP:1681
- Measurement SW: DASY52, Version 52.10 (2);SEMCAD X Version 14.6.12 (7470)

Area Scan (121x121x1): Interpolated grid: dx=1.000 mm, dy=1.000 mm

Maximum value of SAR (interpolated) = 0.961 W/kg

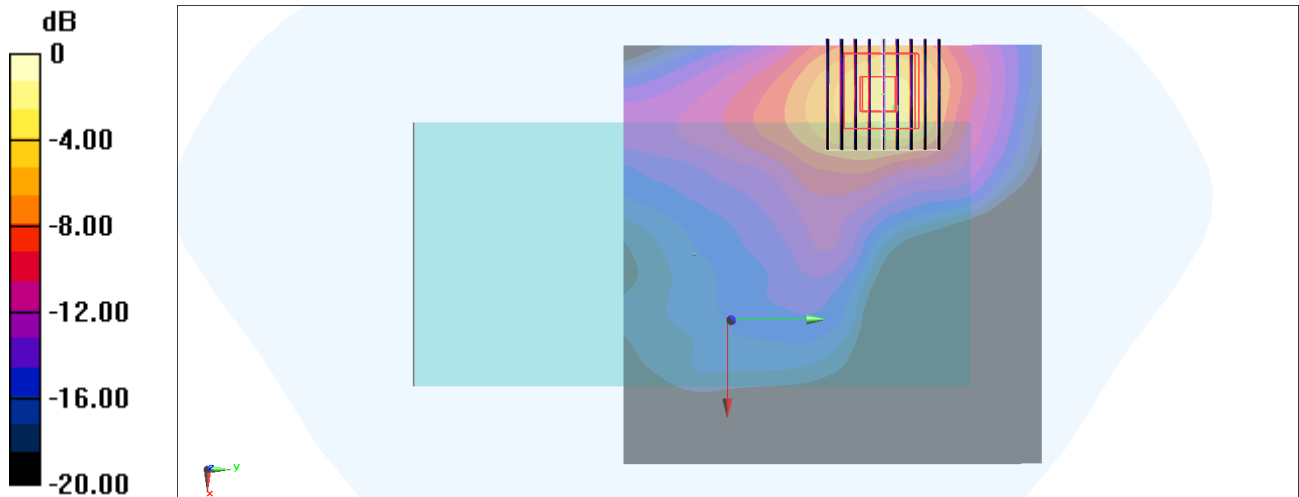
Zoom Scan (9x9x7)/Cube 0: Measurement grid: dx=4mm, dy=4mm, dz=1.4mm

Reference Value = 20.04 V/m; Power Drift = -0.16 dB

Peak SAR (extrapolated) = 2.56 W/kg

SAR(1 g) = 0.817 W/kg; SAR(10 g) = 0.286 W/kg

Maximum value of SAR (measured) = 1.79 W/kg



0 dB = 1.79 W/kg = 2.53 dBW/kg

#50_WLAN5GHz_802.11ac-VHT80 MCS0_Back_10mm_Ch138

Communication System: 802.11ac; Frequency: 5690 MHz; Duty Cycle: 1:1.101

Medium: HSL_5G_191103 Medium parameters used : $f = 5690$ MHz; $\sigma = 5.151$ S/m; $\epsilon_r = 36.627$; $\rho = 1000$ kg/m³

Ambient Temperature : 23.5 °C ; Liquid Temperature : 22.5 °C

DASY5 Configuration:

- Probe: EX3DV4 - SN7346; ConvF(4.75, 4.75, 4.75) @ 5690 MHz; Calibrated: 2019/4/25
- Sensor-Surface: 1.4mm (Mechanical Surface Detection)
- Electronics: DAE4 Sn853; Calibrated: 2019/7/18
- Phantom: SAM_Right; Type: SAM; Serial: TP:1681
- Measurement SW: DASY52, Version 52.10 (2); SEMCAD X Version 14.6.12 (7470)

Area Scan (121x121x1): Interpolated grid: dx=1.000 mm, dy=1.000 mm

Maximum value of SAR (interpolated) = 1.29 W/kg

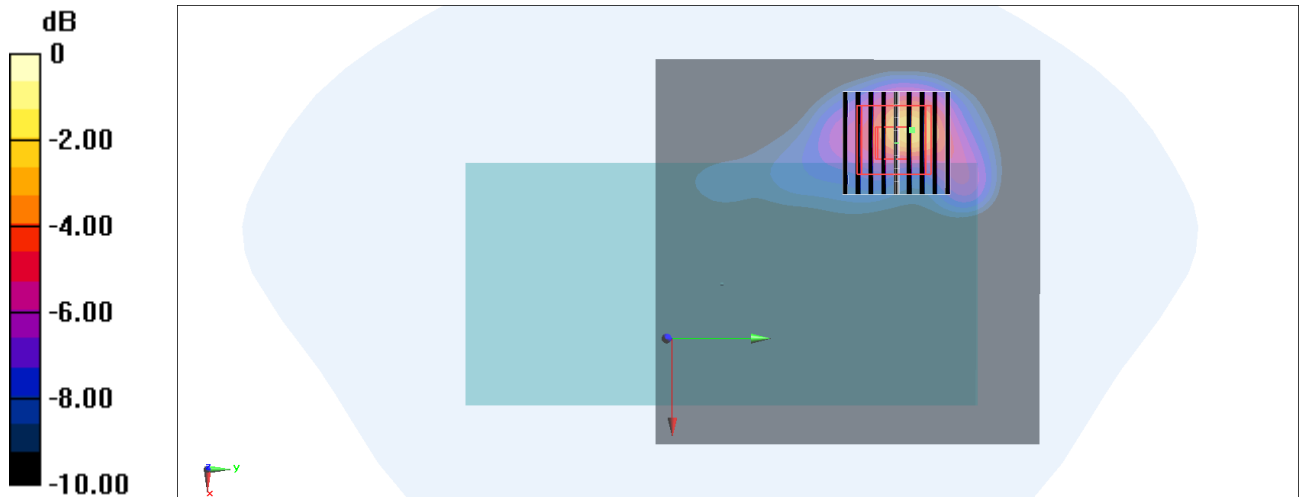
Zoom Scan (9x9x7)/Cube 0: Measurement grid: dx=4mm, dy=4mm, dz=1.4mm

Reference Value = 20.99 V/m; Power Drift = -0.02 dB

Peak SAR (extrapolated) = 3.06 W/kg

SAR(1 g) = 0.874 W/kg; SAR(10 g) = 0.305 W/kg

Maximum value of SAR (measured) = 1.98 W/kg



0 dB = 1.98 W/kg = 2.97 dBW/kg

#51_WLAN5GHz_802.11ac-VHT80 MCS0_Back_10mm_Ch155

Communication System: 802.11ac ; Frequency: 5775 MHz; Duty Cycle: 1:1.094

Medium: HSL_5G_191102 Medium parameters used: $f = 5775$ MHz; $\sigma = 5.017$ S/m; $\epsilon_r = 36.658$; $\rho = 1000$ kg/m³

Ambient Temperature : 23.3 °C ; Liquid Temperature : 22.3 °C

DASY5 Configuration:

- Probe: EX3DV4 - SN7346; ConvF(4.78, 4.78, 4.78) @ 5775 MHz; Calibrated: 2019/4/25
- Sensor-Surface: 1.4mm (Mechanical Surface Detection)
- Electronics: DAE4 Sn853; Calibrated: 2019/7/18
- Phantom: SAM_Right; Type: SAM; Serial: TP:1681
- Measurement SW: DASY52, Version 52.10 (2); SEMCAD X Version 14.6.12 (7470)

Area Scan (121x101x1): Interpolated grid: dx=1.000 mm, dy=1.000 mm

Maximum value of SAR (interpolated) = 1.32 W/kg

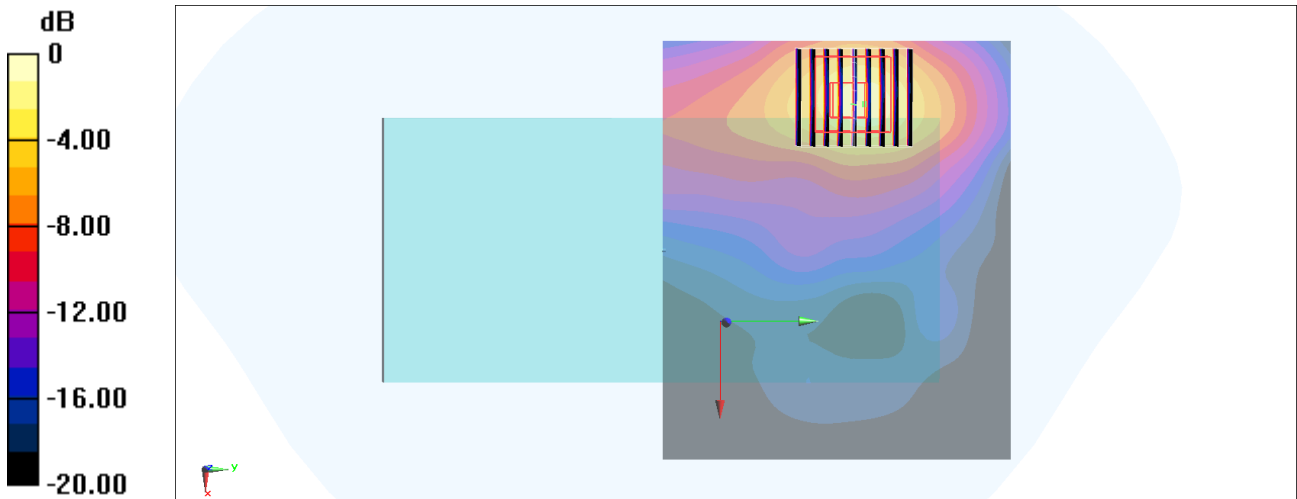
Zoom Scan (8x9x7)/Cube 0: Measurement grid: dx=4mm, dy=4mm, dz=1.4mm

Reference Value = 20.46 V/m; Power Drift = -0.01 dB

Peak SAR (extrapolated) = 2.96 W/kg

SAR(1 g) = 0.855 W/kg; SAR(10 g) = 0.296 W/kg

Maximum value of SAR (measured) = 1.98 W/kg



0 dB = 1.98 W/kg = 2.97 dBW/kg

#52_WLAN5GHz_802.11n-HT40 MCS0_Back_0mm_Ch54

Communication System: 802.11n ; Frequency: 5270 MHz;Duty Cycle: 1:1.048

Medium: HSL_5G_191104 Medium parameters used: $f = 5270$ MHz; $\sigma = 4.523$ S/m; $\epsilon_r = 37.398$; $\rho = 1000$ kg/m³

Ambient Temperature : 23.6 °C ; Liquid Temperature : 22.6 °C

DASY5 Configuration:

- Probe: EX3DV4 - SN7346; ConvF(5.36, 5.36, 5.36) @ 5270 MHz; Calibrated: 2019/4/25
- Sensor-Surface: 1.4mm (Mechanical Surface Detection)
- Electronics: DAE4 Sn853; Calibrated: 2019/7/18
- Phantom: SAM_Right; Type: SAM; Serial: TP:1681
- Measurement SW: DASY52, Version 52.10 (2);SEMCAD X Version 14.6.12 (7470)

Area Scan (121x101x1): Interpolated grid: dx=1.000 mm, dy=1.000 mm

Maximum value of SAR (interpolated) = 25.3 W/kg

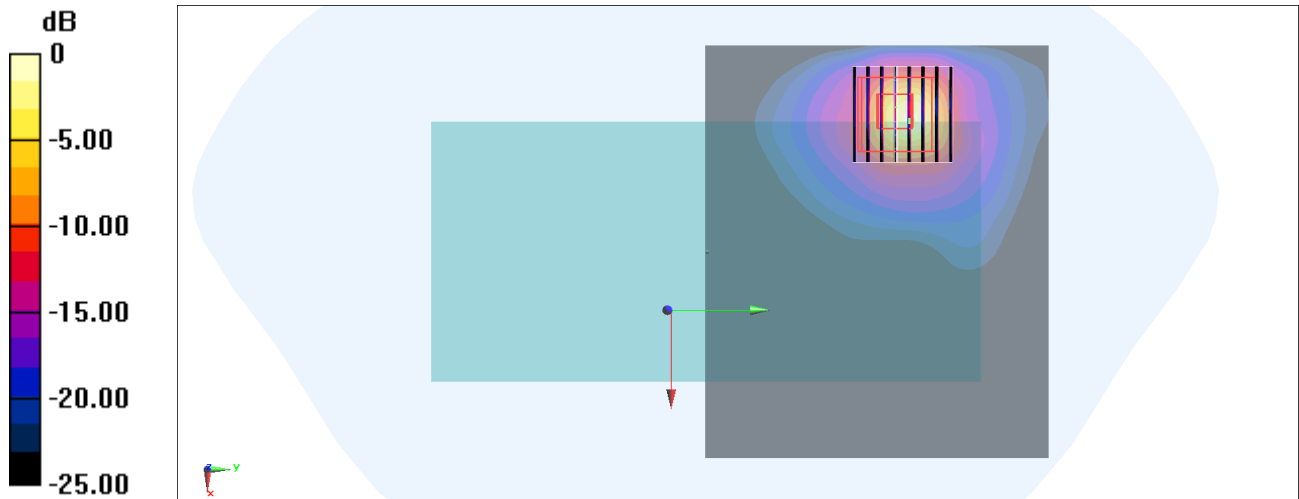
Zoom Scan (8x8x7)/Cube 0: Measurement grid: dx=4mm, dy=4mm, dz=1.4mm

Reference Value = 63.60 V/m; Power Drift = -0.09 dB

Peak SAR (extrapolated) = 59.0 W/kg

SAR(1 g) = 11.6 W/kg; SAR(10 g) = 2.49 W/kg

Maximum value of SAR (measured) = 34.2 W/kg



0 dB = 34.2 W/kg = 15.34 dBW/kg

#53_WLAN5GHz_802.11ac-VHT80 MCS0_Right Side_0mm_Ch138

Communication System: 802.11ac; Frequency: 5690 MHz; Duty Cycle: 1:1.101

Medium: HSL_5G_191104 Medium parameters used : $f = 5690$ MHz; $\sigma = 4.946$ S/m; $\epsilon_r = 36.801$; $\rho = 1000$ kg/m³

Ambient Temperature : 23.6 °C ; Liquid Temperature : 22.6 °C

DASY5 Configuration:

- Probe: EX3DV4 - SN7346; ConvF(4.75, 4.75, 4.75) @ 5690 MHz; Calibrated: 2019/4/25
- Sensor-Surface: 1.4mm (Mechanical Surface Detection)
- Electronics: DAE4 Sn853; Calibrated: 2019/7/18
- Phantom: SAM_Right; Type: SAM; Serial: TP:1681
- Measurement SW: DASY52, Version 52.10 (2); SEMCAD X Version 14.6.12 (7470)

Area Scan (61x121x1): Interpolated grid: dx=1.000 mm, dy=1.000 mm

Maximum value of SAR (interpolated) = 10.4 W/kg

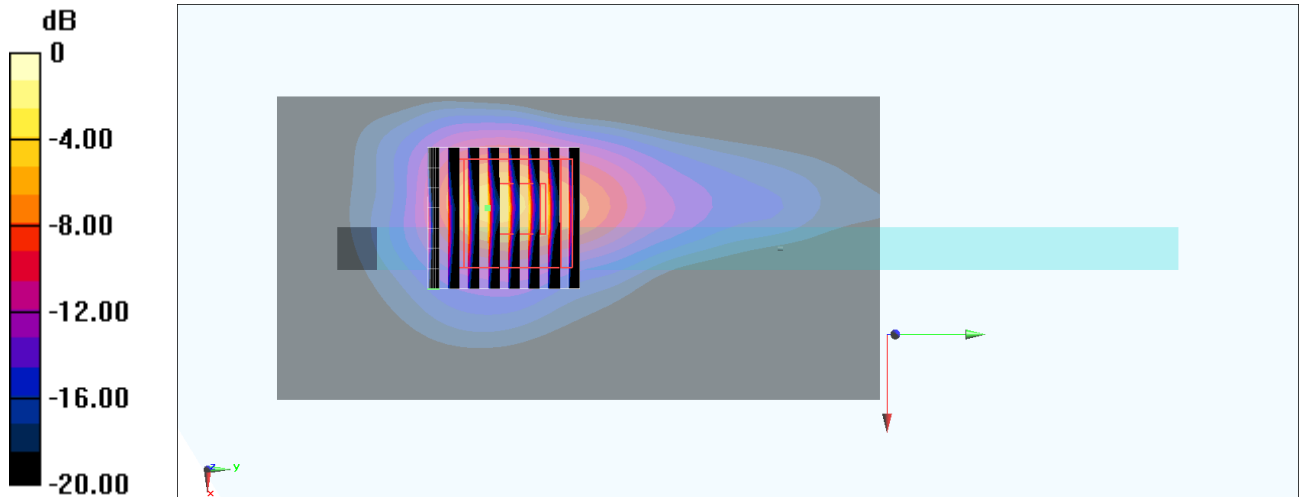
Zoom Scan (8x8x7)/Cube 0: Measurement grid: dx=4mm, dy=4mm, dz=1.4mm

Reference Value = 41.14 V/m; Power Drift = 0.08 dB

Peak SAR (extrapolated) = 50.7 W/kg

SAR(1 g) = 9.7 W/kg; SAR(10 g) = 2.42 W/kg

Maximum value of SAR (measured) = 27.9 W/kg



0 dB = 27.9 W/kg = 14.46 dBW/kg