

Block Diagram

FCC ID: A4P-200-0013-01

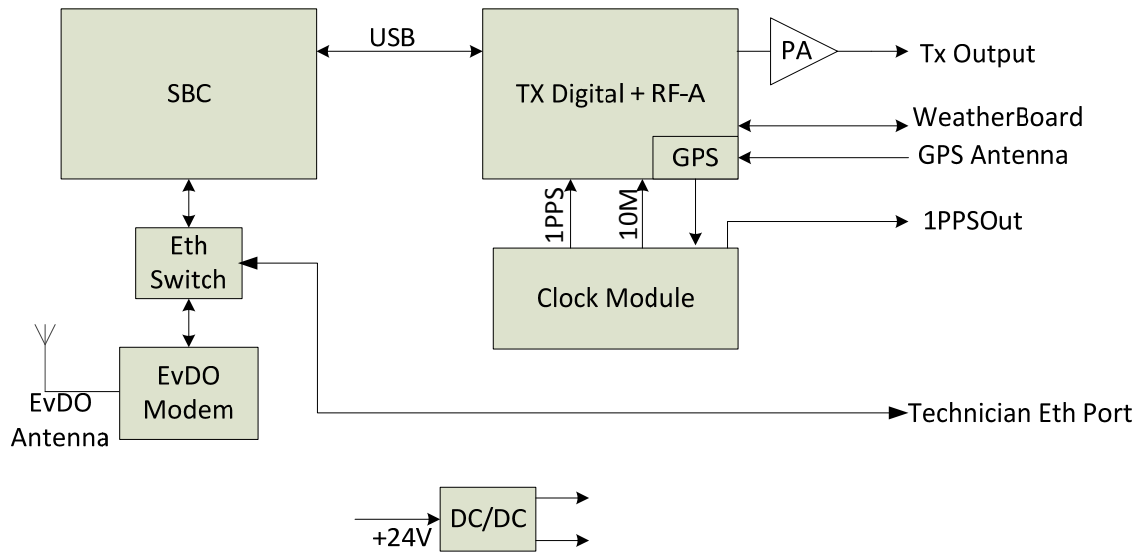


Figure 1 NextNav Local beacon block wiring diagram

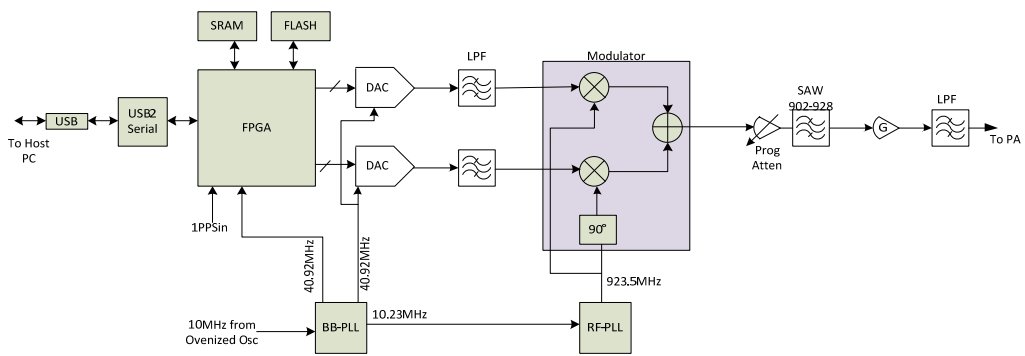


Figure 2: Maia Radio Modem Module Board Block Diagram