

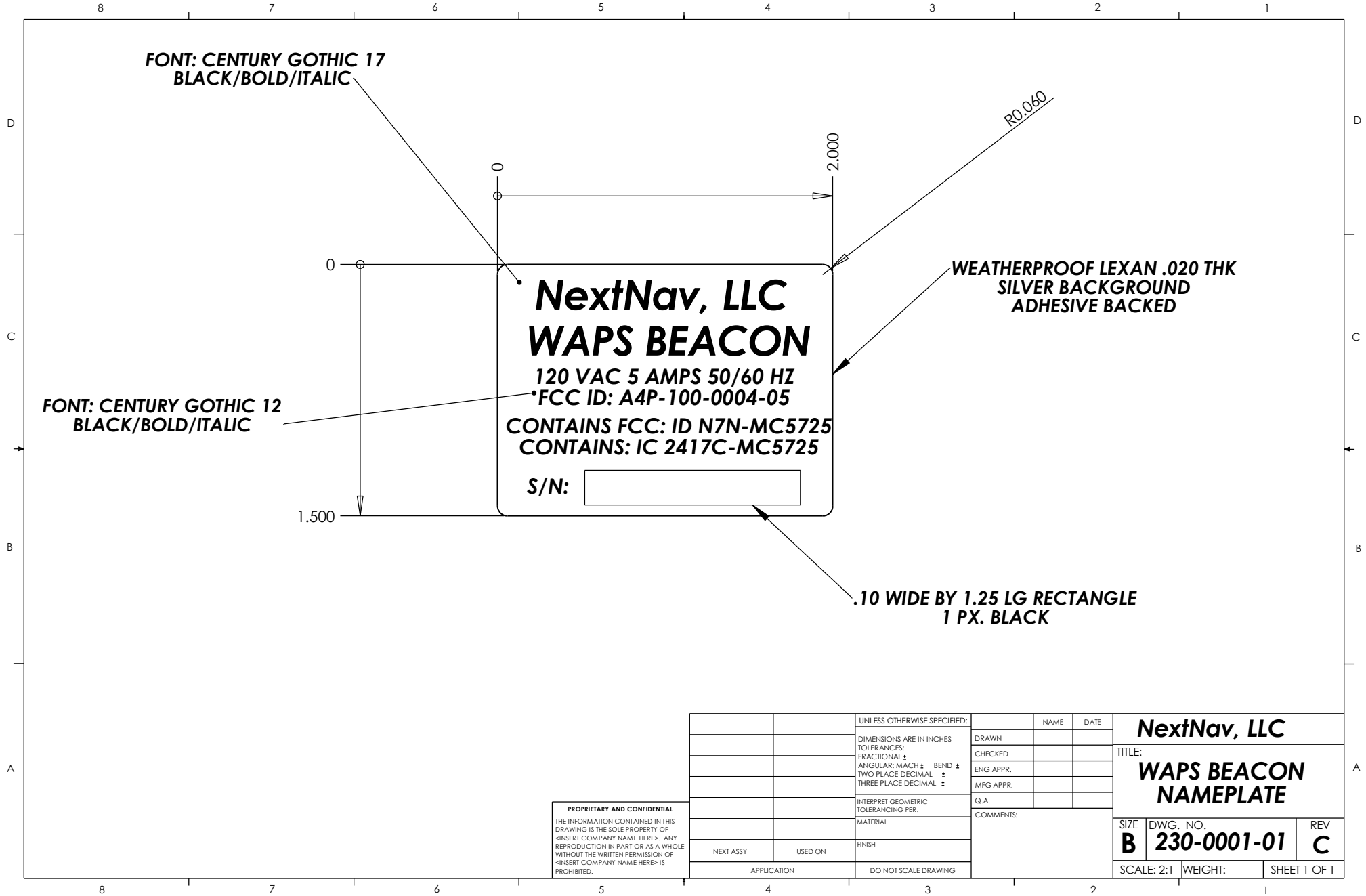
FONT: CENTURY GOTHIC 17
BLACK/BOLD/ITALIC

FONT: CENTURY GOTHIC 12
BLACK/BOLD/ITALIC

NextNav, LLC
WAPS BEACON
 120 VAC 5 AMPS 50/60 HZ
 FCC ID: A4P-100-0004-05
 CONTAINS FCC: ID N7N-MC5725
 CONTAINS: IC 2417C-MC5725
 S/N:

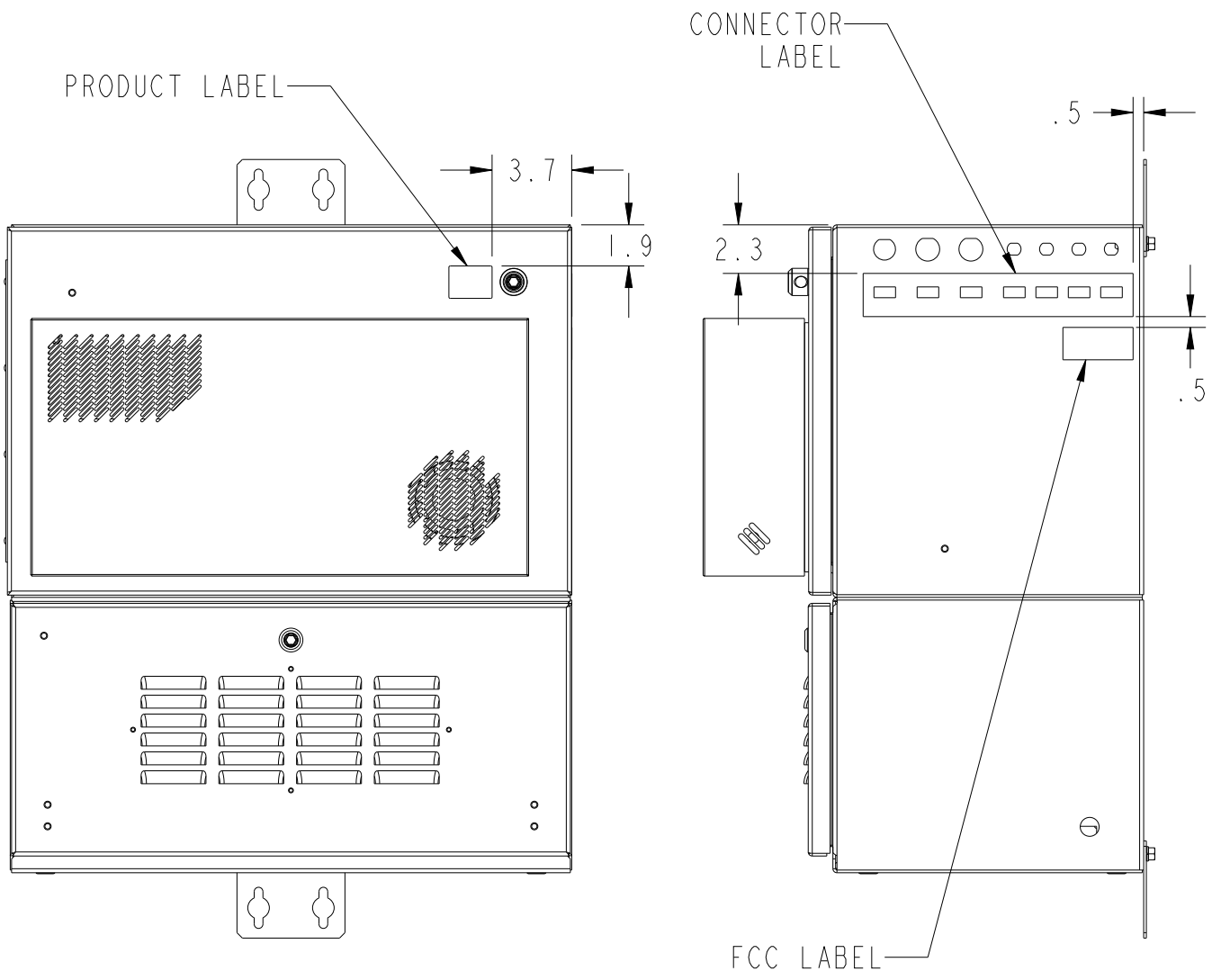
WEATHERPROOF LEXAN .020 THK
SILVER BACKGROUND
ADHESIVE BACKED

.10 WIDE BY 1.25 LG RECTANGLE
1 PX. BLACK



PROPRIETARY AND CONFIDENTIAL
 THE INFORMATION CONTAINED IN THIS DRAWING IS THE SOLE PROPERTY OF <INSERT COMPANY NAME HERE>. ANY REPRODUCTION IN PART OR AS A WHOLE WITHOUT THE WRITTEN PERMISSION OF <INSERT COMPANY NAME HERE> IS PROHIBITED.

		UNLESS OTHERWISE SPECIFIED:		NAME	DATE	NextNav, LLC TITLE: WAPS BEACON NAMEPLATE
		DIMENSIONS ARE IN INCHES		DRAWN		
		TOLERANCES:		CHECKED		
		FRACTIONAL ±		ENG APPR.		
		ANGULAR: MACH ± BEND ±		MFG APPR.		
		TWO PLACE DECIMAL ±		Q.A.		
		THREE PLACE DECIMAL ±		COMMENTS:		
		INTERPRET GEOMETRIC TOLERANCING PER:				
		MATERIAL				
NEXT ASSY	USED ON	FINISH				
APPLICATION		DO NOT SCALE DRAWING				
SIZE	DWG. NO.	REV				
B	230-0001-01	C				
SCALE: 2:1		WEIGHT:		SHEET 1 OF 1		



Charles
 Charles Industries Ltd.
 Telecommunications Group
 Charles Center, 5600 Apollo Drive
 Rolling Meadows, IL 60008
 Telephone: 847-806-6300

THIS IS THE PROPERTY OF CHARLES INDUSTRIES LTD. AND SHALL NOT BE REPRODUCED, COPIED OR USED IN ANY MANNER DETRIMENTAL TO THEIR INTERESTS.

SIZE A	DRAWING NO. CUBE-RL2100-A		ISS.
	SCALE .125	CAD FILE NAME CUBE-RL2100-A-LABELS	REV. C
SHEET		1 of 1	