

## Declaration Letter

We  
eMoMo Technology CO. LTD.  
Of

4th. Floor,  
Yong He Building,  
Tai Wan Industrial Park,  
Shi Yan, Bao'an District  
Shenzhen, China, 518131

hereby state that

Product : Bluetooth Control System

System Number :iCtrl.M1P58; iCtrl.M1P5; iCtrl.M1P8; iCtrl.M1RP5; iCtrl.M1RP8;

iCtrl.M1P58, iCtrl.M1P5, iCtrl.M1P8,iCtrl.M1RP5 and iCtrl.M1RP8 consist of some or all the following equipments:

Bluetooth Control System				
System Number	Including Components			
	Power supply	Control box	Operation devices (Option)	Actuators (Option)
iCtrl.M1P58	ZBHWX-A290020-A	iCtrl.M1P58-2	Remo Button	recline actuator
iCtrl.M1P5		iCtrl.M1P5-2	HX36H	
iCtrl.M1P8		iCtrl.M1P8-2	HX24	lift actuator
iCtrl.M1RP5		iCtrl.M1RP5-2	HX29	
iCtrl.M1RP8		iCtrl.M1RP8-2	HX35 RemoP20	

All differences is just interface ports and accessory.The RF circuitry , parameter , Antenna remains the same.

The differences of these models are as follows:

	one 2pin female which is supporting the power of actuator	One 2pin male which connect with the power supply	one 5pin male which use to receive the signal from actuator	one 8pin female which connect with Remo Button, HX36H	One 5pin female which connect with HX24;HX29;HX35, RemoP20	Description
iCtrl.M1P58-2						Cabels are different. 1. 2 pin female plug and 5 pin male plus connect reline actuator or lift actuator, even connect nothing; 2. 8 pin female connect Operation devices (Remo Button or HX36H), even connect nothing; 3. 5 pin female connect Operation devices (HX24, HX29, HX35 or RemoP20), even connect nothing.
iCtrl.M1P5-2				×		
iCtrl.M1P8-2					×	
iCtrl.M1RP5-2			×	×		
iCtrl.M1RP8-2			×	×	×	

Note: '×', this symbol indicates that excluding the above items.

Attach: Photos of Operation devices (6 models is optional.)

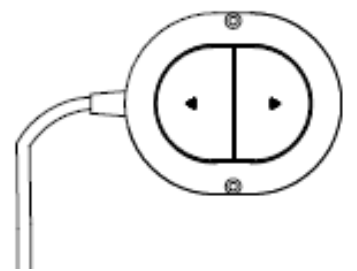
**HX24**



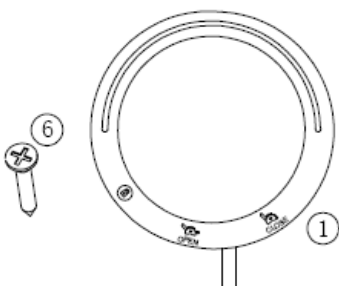
**RemoP20**



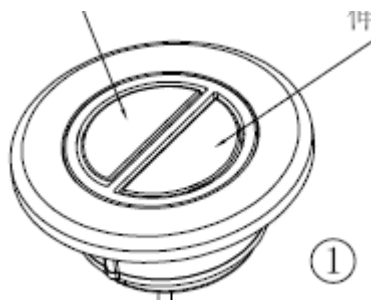
**HX29**



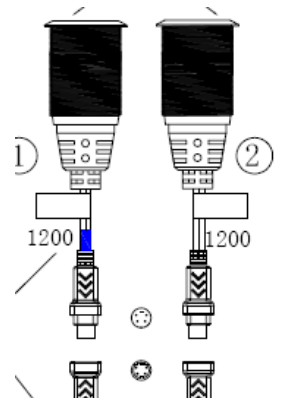
**HX36H**



**HX35**



**Remo Button**



Sincerely,

E-mail: [lance@emomo.tech.com](mailto:lance@emomo.tech.com)

Phone: (+86) 755 27643116-825

Fax: (+86) 755 27643115

Address:

4th. Floor,

Yong He Building,

Tai Wan Industrial Park,

Shi Yan, Bao'an District

Shenzhen, China, 518131

Client's Signature: Rosary Tang

A handwritten signature in black ink, appearing to read 'Rosary', written in a cursive style.

Name/Surname:

Position/Title: vice president

Issue Date: Oct 12, 2013