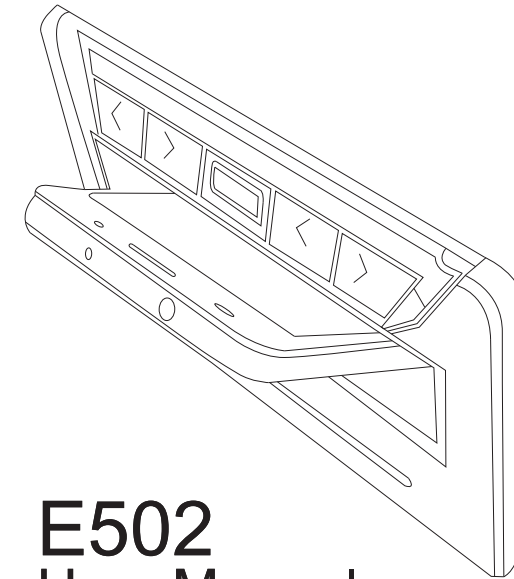


E502 User Manual

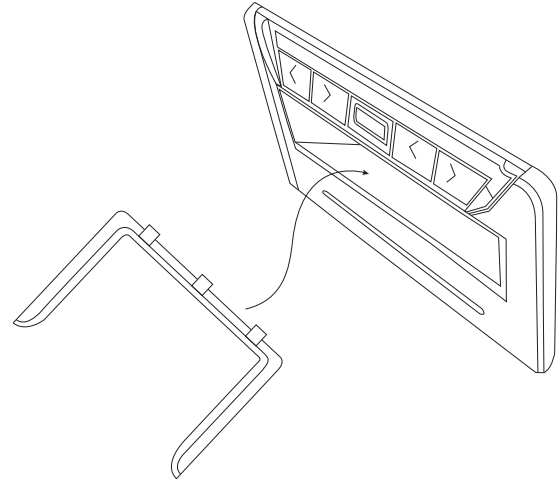
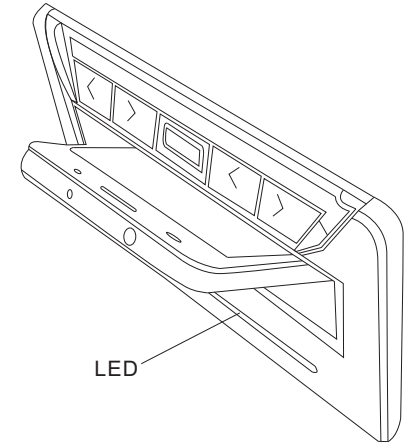


Safety Warning

- Before using the unit please read the manual.
- Keep this product away from any water, liquid or wet areas.
- Keep this product away from open flames such as candles.
- This item is ONLY to plugged into an AC 100V~240V Power outlet.
- The unit should be powered off before unplugging the product.
- Do not place the product in direct sunlight or heat. Keep away from temperatures over 35°C.
- Never try to repair this product yourself, take it to an authorized technician. Trying to remove panels or repairing the unit yourself could result in an electric shock.
- Do not insert foreign objects into the product.
- Adult Supervision is recommended if children are using this product

Wireless Charging Function

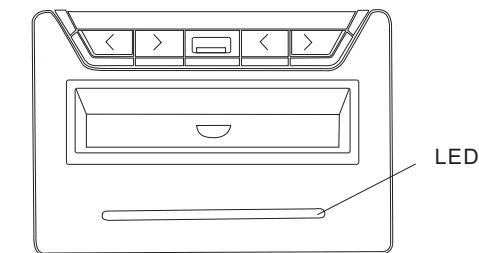
- Put your cell phone into the pocket and the screen should face to the upwards. Then try to adjust the cell phone position in the pocket till you heard "beep". The blue indicator light will be turn on now. This light means your cell phone is in the charging.



- You can put the adjusting frame into the pocket if you cell phone is too small to pair with our wireless charging pocket.

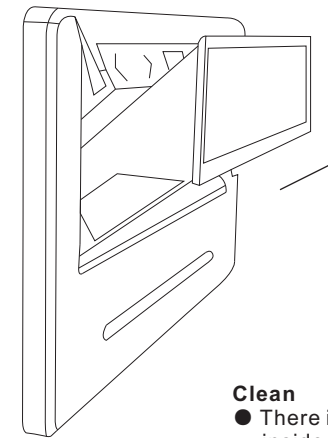
USB Charging Function

- Use the correct cable to connect your mobile phone with the USB output. The blue LED light will turns on when charging.



Four Function Buttons

- You may have the special functions on those four buttons. Press to trigger the function. It means no function if you can't press down the button.



Clean

- There is a separate pocket inside the wireless charging pocket. You can take out and wash it. Don't put it back until it becomes dry. The wet pocket may damage your electronic products.

Trouble Shooting

Appearance	Passable Reason	How to Solve?
No function/ Nothing works	No power	Check the connecting of the power plug.
Wireless charging function not work or stable	The phone jacket is too thick or made by metal	Take off the jacket and try again
	Your phone does not have wireless charging function	Purchase the wireless charging accessories for your phone or using the USB charging function.
	Not at the correct charging position	Adjust the position
USB unable to charge	Your is not charging by 5V input	Please using the specied power supply.

Please contact with your dealer if the issue still exist.

FCC STATEMENT

- This device complies with Part 15 of the FCC Rules. Operation is subject to the following two conditions:
 - (1) This device may not cause harmful interference.
 - (2) This device must accept any interference received, including interference that may cause undesired operation.
 - Changes or modifications not expressly approved by the party responsible for compliance could void the user's authority to operate the equipment.
- NOTE: This equipment has been tested and found to comply with the limits for a Class B digital device, pursuant to Part 15 of the FCC Rules. These limits are designed to provide reasonable protection against harmful interference in a residential installation.
- This equipment generates uses and can radiate radio frequency energy and, if not installed and used in accordance with the instructions, may cause harmful interference to radio communications. However, there is no guarantee that interference will not occur in a particular installation. If this equipment does cause harmful interference to radio or television reception, which can be determined by turning the equipment off and on, the user is encouraged to try to correct the interference by one or more of the following measures: Reorient or relocate the receiving antenna. Increase the separation between the equipment and receiver. Connect the equipment into an outlet on a circuit different from that to which the receiver is connected. Consult the dealer or an experienced radio/TV technician for help.
- RF warning statement:
The device has been evaluated to meet general RF exposure requirement. The device can be used in portable exposure condition without restriction.