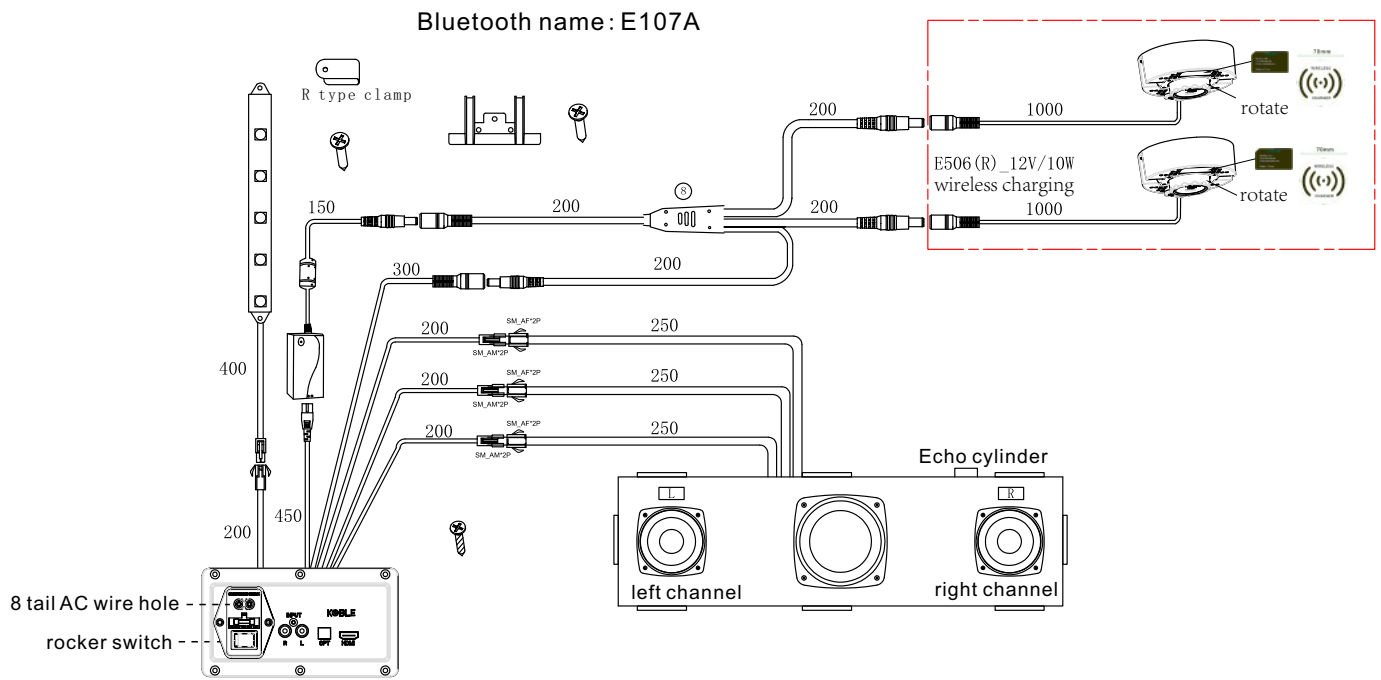
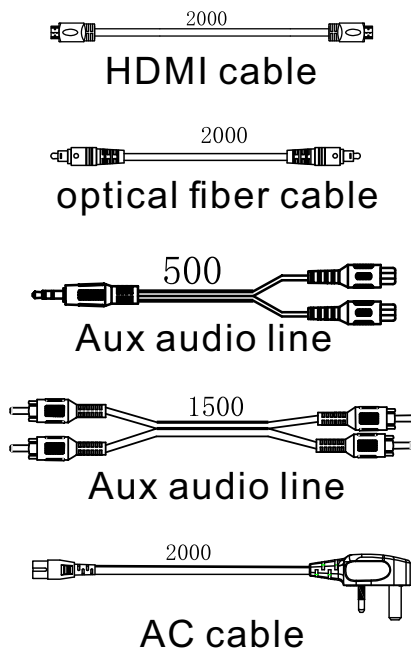


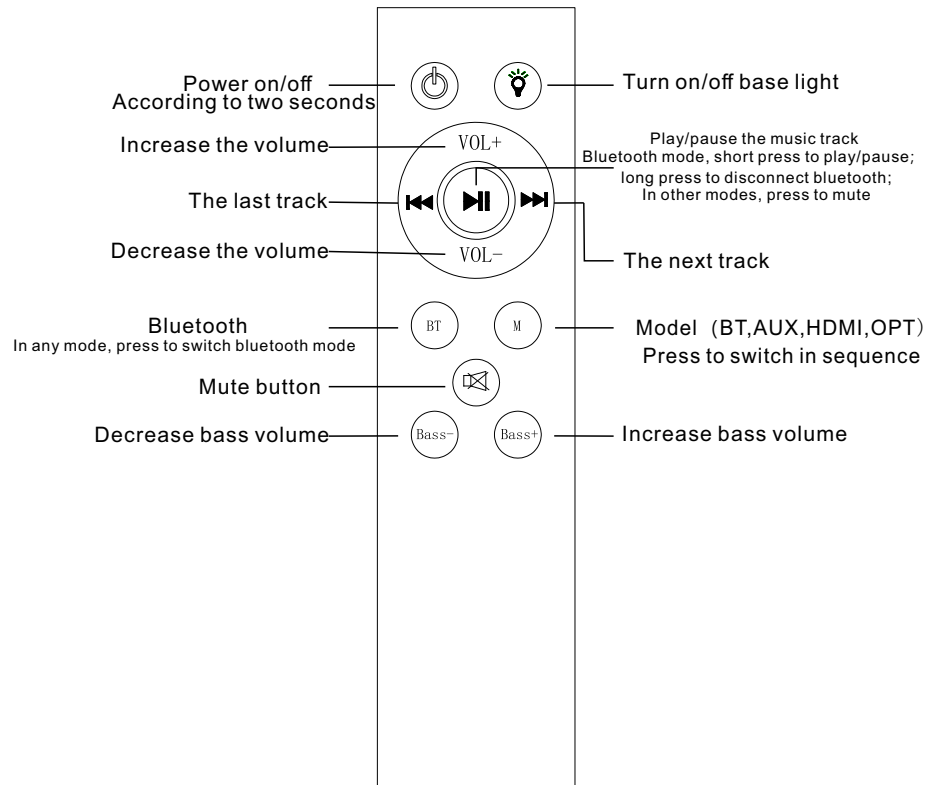
# Erection drawing



## Composite wire



## Remote control



1. Please assemble the product according to the assembly drawing
2. There are 4 ways to connect E107A to TV :
  - (1) bluetooth connection
  - (2) AUX audio cable connection;
  - (3) HDMI connection;
  - (4) Optical fiber connection; Please choose your own way.
3. Plug in the POWER supply and turn the POWER rocker switch to "1". When the switch indicator lights up, it will POWER ON and start up, accompanied by the voice prompt of "POWER ON", standby is about 0.36W. At this time, soft shutdown/soft start can be realized by long pressing the POWER button of the remote control; Switch the power ship switch to "O", the switch indicator light off, power off.
4. Please put the mobile phone into the wireless charging position, the indicator light shows blue light to charge your mobile phone

## **RF exposure statement**

This equipment complies with the FCC RF radiation exposure limits set forth for an uncontrolled environment. This equipment should be installed and operated with a minimum distance of 20cm between the radiator and any part of your body.

## **FCC Warning**

This device complies with Part 18 and Part 15 of the FCC Rules. Operation is subject to the following two conditions:

- (1) This device may not cause harmful interference, and
- (2) this device must accept any interference received, including interference that may cause undesired operation.

NOTE 1: This equipment has been tested and found to comply with the limits for a Class B digital device, pursuant to part 15 of the FCC Rules. These limits are designed to provide reasonable protection against harmful interference in a residential installation. This equipment generates uses and can radiate radio frequency energy and, if not installed and used in accordance with the instructions, may cause harmful interference to radio communications. However, there is no guarantee that interference will not occur in a particular installation. If this equipment does cause harmful interference to radio or television reception, which can be determined by turning the equipment off and on, the user is encouraged to try to correct the interference by one or more of the following measures:

- Reorient or relocate the receiving antenna.
- Increase the separation between the equipment and receiver.
- Connect the equipment into an outlet on a circuit different from that to which the receiver is connected.
- Consult the dealer or an experienced radio/TV technician for help.

NOTE 2: Any changes or modifications to this unit not expressly approved by the party responsible for compliance could void the user's authority to operate the equipment.