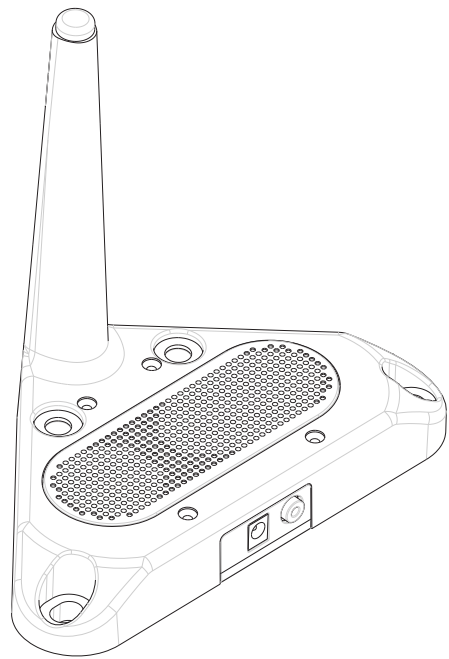
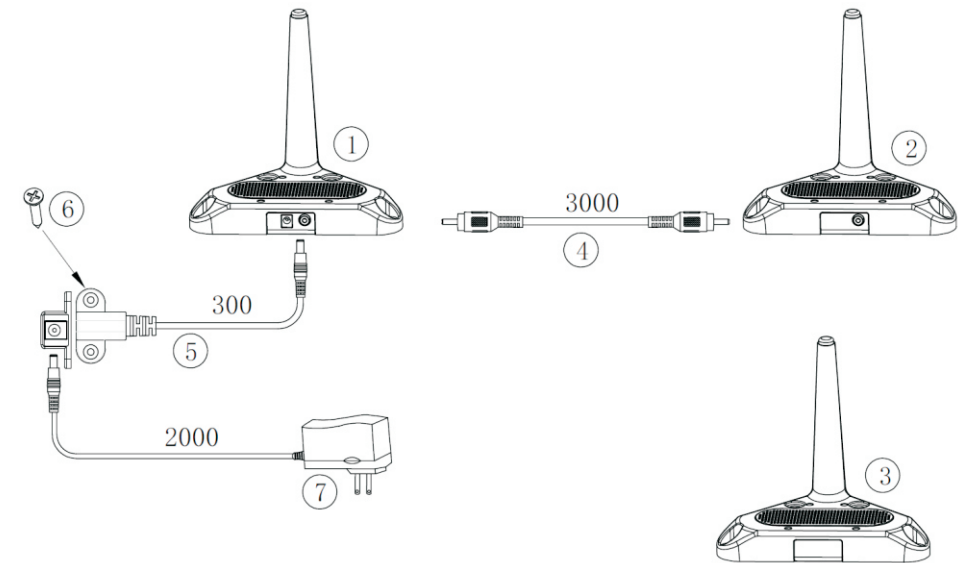


Audio Leg®



Assembly diagram



NO.	PARTS	QTY.
①	Audio leg control box	1 PCS
②	Audio leg speaker	1 PCS
③	Sofa leg	2 PCS
④	Extension cord	1 PCS
⑤	Power extension cord	1 PCS
⑥	Screw	2 PCS
⑦	Power supply	1 PCS
⑧	User manual	1 PCS

USER MANUAL

Specification:

Input: 12V = 2A

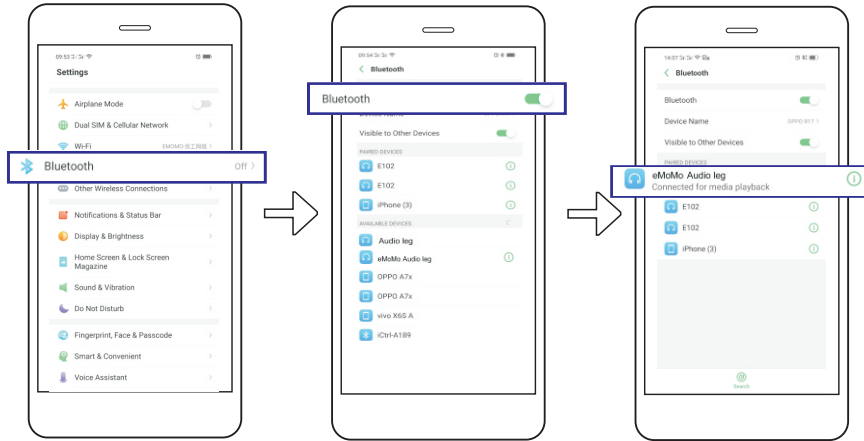
Signal-to-Noise Ratio : >65 db

Bluetooth Edition: BDR+EDR

Operation Instructions:

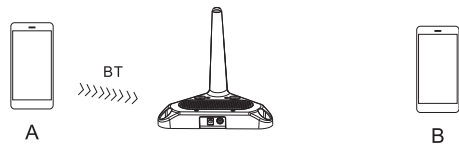
Step1: plug the device into the wall and you will hear a "power on".

Step2: search "eMoMo Audio leg" on your devices' bluetooth list as below guiding.

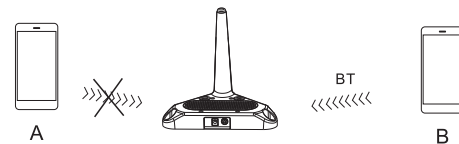


Step3: The Audio leg is able to connect two devices at the same time.

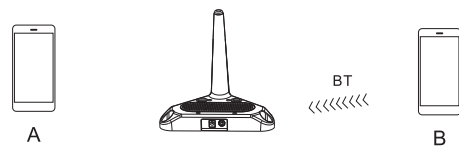
① Use cell phone A to connect the Audio leg.



② Disconnect cell phone A and the Audio leg, and use cell phone B to connect the Audio leg.

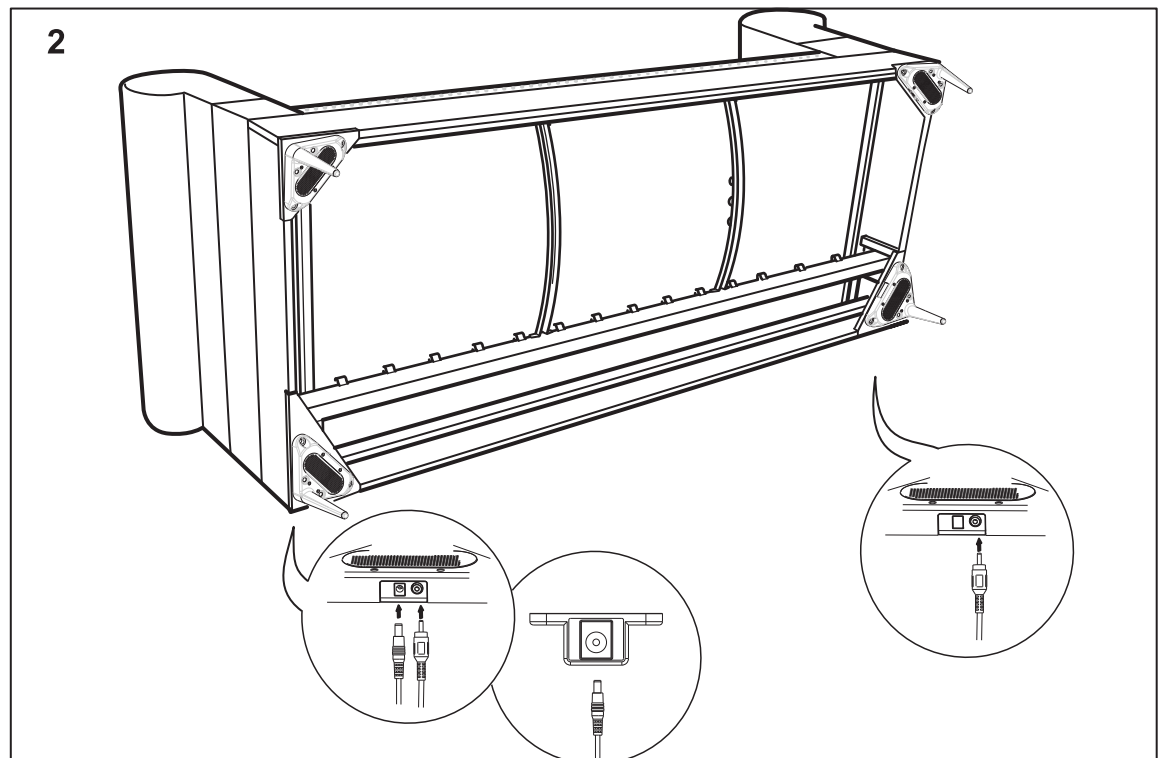
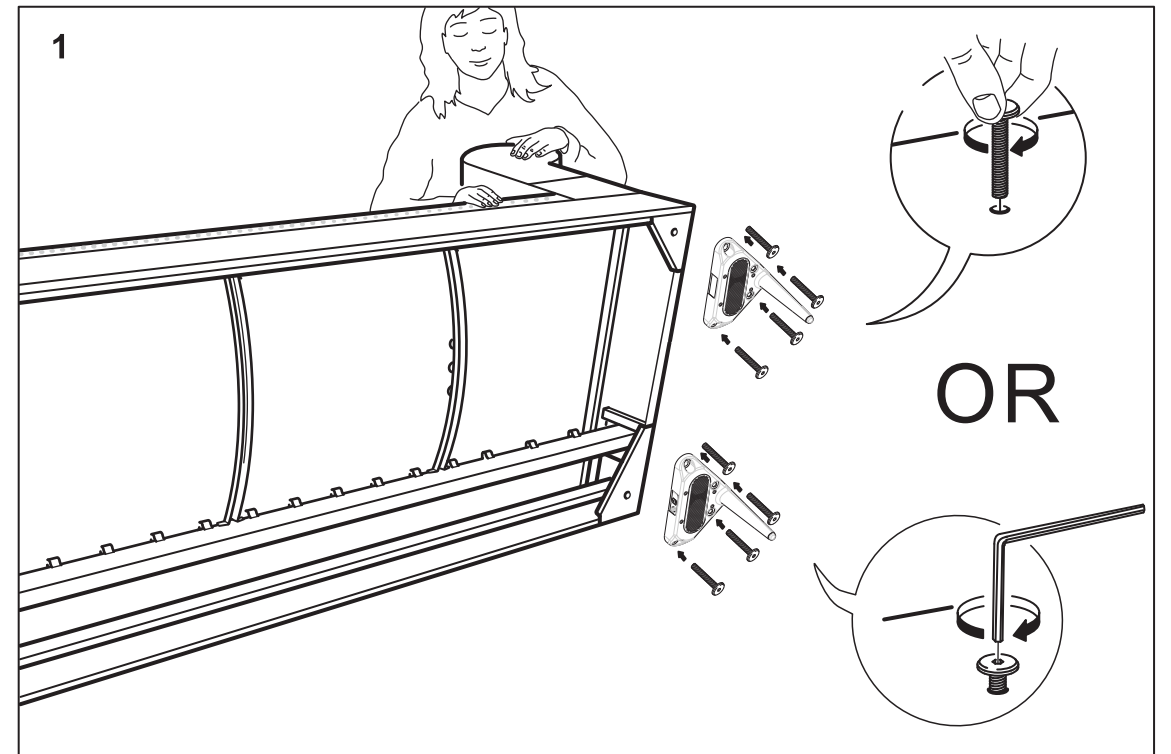


③ When cell phone B is connected with the Audio leg, use cell phone A to connect the Audio leg.



Since both cell phone A&B has connected with Audio leg, the Audio leg will keep their record, and the next time they can connect the Audio leg at the same time without the need of one disconnection like step1-step3. And this method can be used for other devices that have bluetooth function.

Installation Instructions



FCC Warning

Any Changes or modifications not expressly approved by the party responsible for compliance could void the user's authority to operate the equipment.

This device complies with part 15 of the FCC Rules. Operation is subject to the following two conditions: (1) This device may not cause harmful interference, and (2) this device must accept any interference received, including interference that may cause undesired operation.

FCC Radiation Exposure Statement:

This equipment complies with FCC radiation exposure limits set forth for an uncontrolled environment. This transmitter must not be co-located or operating in conjunction with any other antenna or transmitter.

Note: This equipment has been tested and found to comply with the limits for a Class B digital device, pursuant to part 15 of the FCC Rules. These limits are designed to provide reasonable protection against harmful interference in a residential installation. This equipment generates uses and can radiate radio frequency energy and, if not installed and used in accordance with the instructions, may cause harmful interference to radio communications. However, there is no guarantee that interference will not occur in a particular installation. If this equipment does cause harmful interference to radio or television reception, which can be determined by turning the equipment off and on, the user is encouraged to try to correct the interference by one or more of the following measures:

- Reorient or relocate the receiving antenna.
- Increase the separation between the equipment and receiver.
- Connect the equipment into an outlet on a circuit different from that to which the receiver is connected.
- Consult the dealer or an experienced radio/TV technician for help.