

RM Acquisition LLC

FCC Class II Permissive Change Request Letter

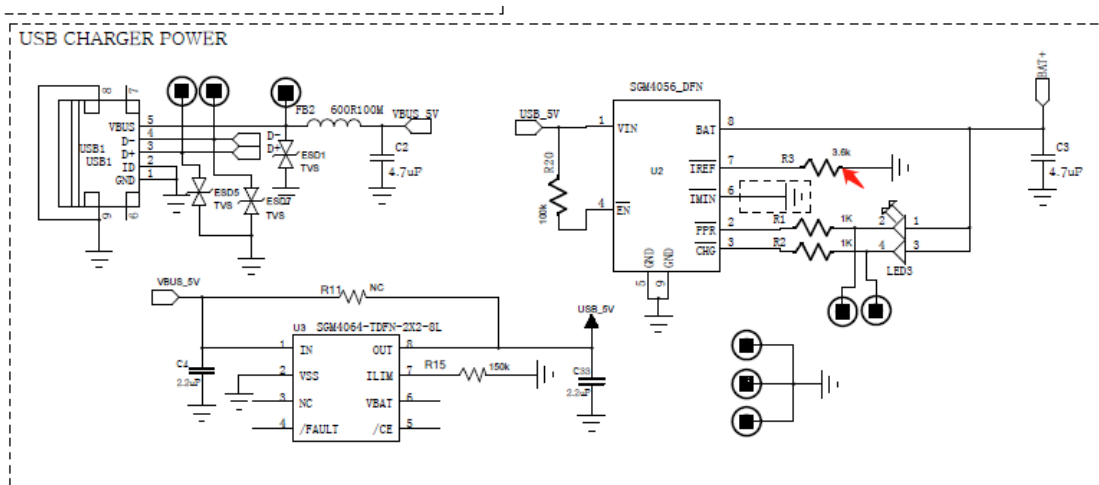
Date: 2020-04-25

To FCC:

RE: FCC Permissive II Change Request for Company: RM Acquisition LLC
FCC ID: A4C91006A

We are submitting an application for a class II permissive change to the FCC approval of the Company name: RM Acquisition LLC, product description: ClearDryve (FCC ID: A4C91006A, Original Grant Date: 08/18/2019). The transmitter module itself has not changed. Here are the changes:

The resistance is changed from 3.6k to 3.9k, and the charging becomes smaller to protect the charging balance of the headset.



Sincerely,

Applicant company: RM Acquisition LLC
Address: 9855 Woods Drive, Skokie, IL 60077
Applicant Name /Title: Grace Chang/CFO

Applicant Signature : 