

RM Acquisition LLC

FCC Class II Permissive Change Request Letter

Date: 2020-04-25

To FCC:

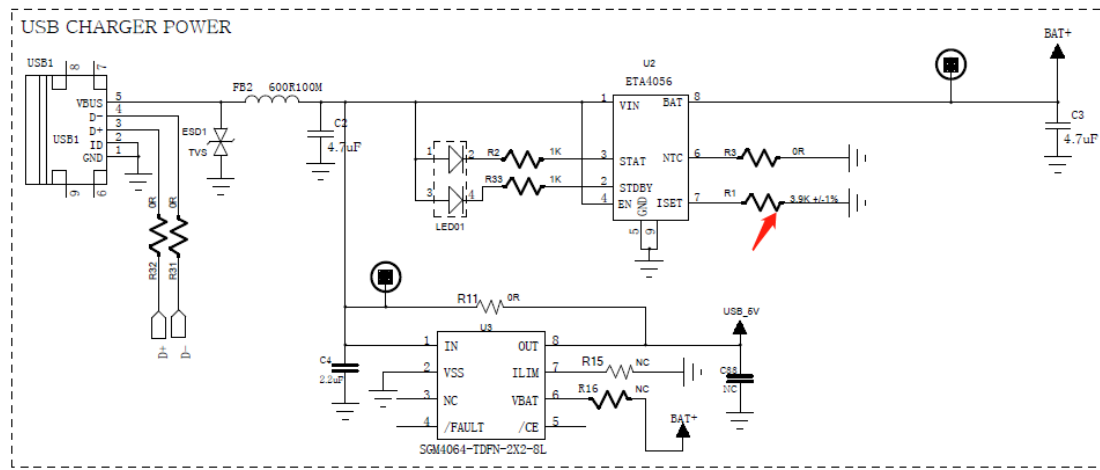
RE: FCC Permissive II Change Request for Company: RM Acquisition LLC
FCC ID: A4C91005A

We are submitting an application for a class II permissive change to the FCC approval of the Company name: RM Acquisition LLC, product description: ClearDryve (FCC ID: A4C91005A, Original Grant Date: 03/15/2019). The transmitter module itself has not changed. Here are the changes:

1. CD100 the left earpiece is removed.



2. The resistance is changed from 3.9k to 4.2k, and the charging becomes smaller to protect the charging balance of the headset.



Sincerely,
 Applicant company: RM Acquisition LLC
 Address: 9855 Woods Drive, Skokie, IL 60077
 Applicant Name /Title: Grace Chang/CFO

Applicant Signature : 