

## *Overview*

---

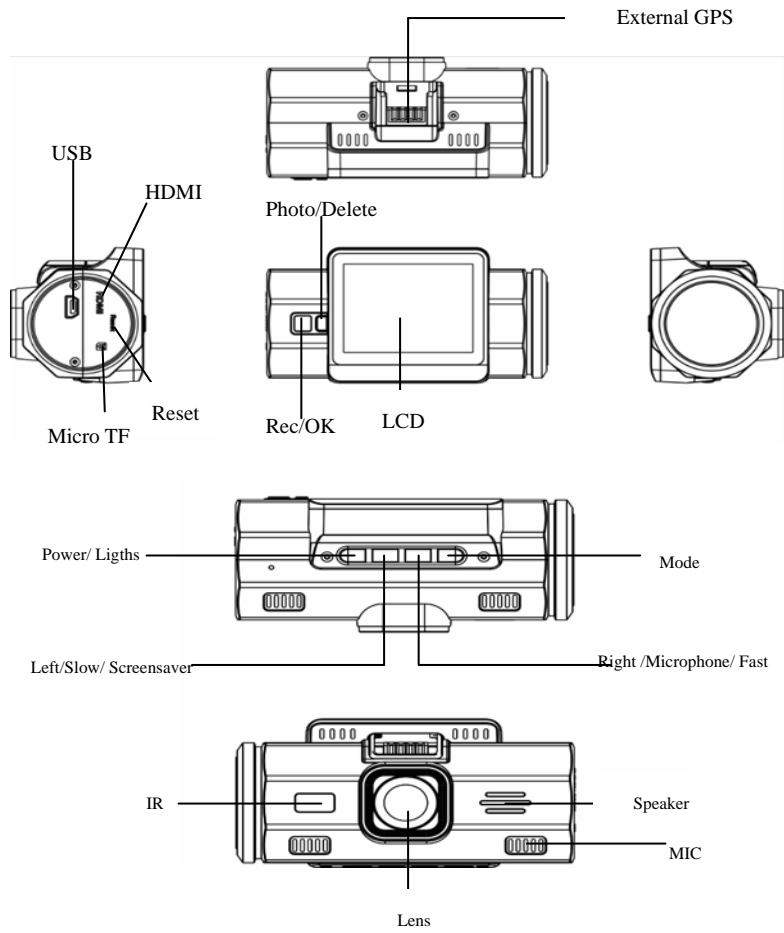
This is a digital HD (high definition) video camera recorder with the most advanced technology; this device is a common HD video camera as well as a professional driving recorder. It can record the high resolution image with the pixel as high as 2560X1080P/30fps ,2304X1296P/30fps,1920X1080P/60fps FULL HD and take the picture of 4 mega pixels. Using TF card as the storage device, compact size, low power consumption, HD camcorder can record more detailed perfect video image. Video also can be transferred by HDMI transmission wire directly to the high quality LED TV (HDMI) for high resolution displaying.

Enjoy true high-definition lift by using this product.

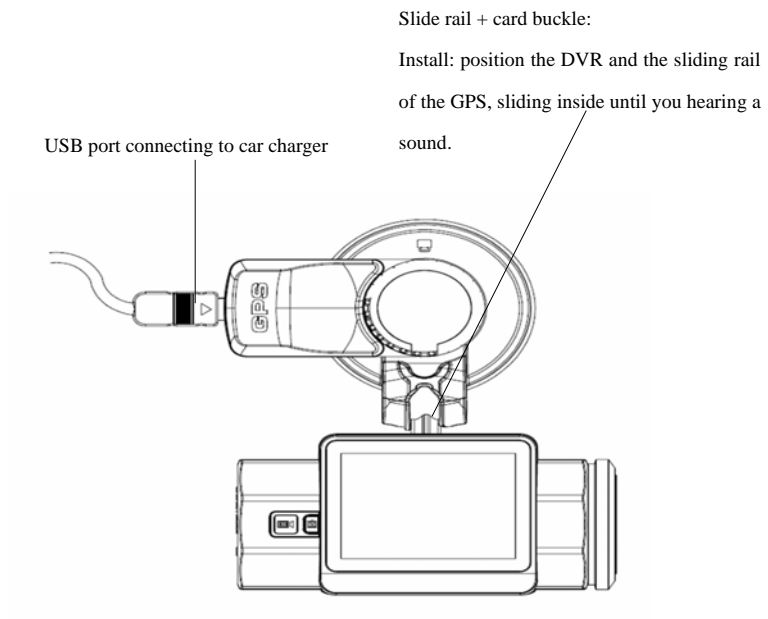
Product features:

- ◎ 170 degree ultra wide angle lens.
- ◎ 2560X1080P/30fps, 2304X1296P/30fps, 1920X1080P/60fps FULL HD high quality resolution.
- ◎ Equipped with low light sensor, can get good video quality at night.
- ◎ Advanced H.264 video compression technology.
- ◎ 4 mega pixels.
- ◎ 2.7 inch high resolution LCD, can watch while shooting.
- ◎ Matching IR Light for supplementing light at night.
- ◎ Support HDMI high quality video transmission.
- ◎ 3 resolution forms can be changed for video recording.
- ◎ 60 frames per second for smooth video flow.
- ◎ Equipped with special auto suction cup holder. Conveniently fix and use.
- ◎ Built-in GPS, record traffic speed, driving track. (Optional)
- ◎ G-sensor to keep records of sensor data and real-time display on the player. (Optional)
- ◎ Powerful document protection, even in the recording process, the occurrence of sudden power outages, machine damage, etc., video files will be intact.
- ◎ Seamless continuous recording, will not miss any data.
- ◎ Adopt auto cigarette lighter power supply, to make the video recording while driving.
- ◎ When car engine started, automatically start recording.
- ◎ Automatic circulating video recording, being able to set the record time for each file.
- ◎ Watch video while make video recording in driving. Support on-spot play back.
- ◎ Improve time & date display, no need reset when re-start.
- ◎ Screenshots function, can capture the video screen while video recording and reviewing(optional).
- ◎ LDWS-Line Departure Warning System
- ◎ Human orientated operation interface.
- ◎ One press taking a photo
- ◎ Maximum 64GB or even bigger SD high capacity storage device.
- ◎ Dewrup function

## Product Structure





## *External GPS*



The connection of external GPS is as below

**Remarks:**

---

When power on, GPS auto search satellite. No GPS positioning, LCD screen display dynamic lower left corner of the yellow icon  GPS positioning, LCD screen shows a green icon  on the lower left corner. (Optional)

**MODE Key:** to shift video recording, playback mode, system settings. To lock or unlock the file during recording. At playback mode, press "MODE" key to back to thumbnail status.

**Right / Left key:** In Menu mode, used for menu selection; At thumbnail status to review videos/photo. At video playback mode, short press Right key to low-speed play back. Short press Left key to fast forward. At recording mode, short press Right key to on/off the LCD, short press Left key to on/off the MIC.

**Power key:** Short press power on, press for 2 seconds power off. In the recording mode, short press to on/off the LED. At thumbnail mode, short pressing can lock or unlock the current file.

**REC/Photo Key:** To start/stop recording. At menu setting to confirm selection. At Thumbnail mode, to confirm the playing of the video/photo. At video playback mode, to start/pause playing.

**Rest key:** to Reset and force power off

## Operation

### ◆ Load and unload the battery

1. Battery indicators as below:



Full



Half



Low



Empty

### ◆ Battery Recharge

2. This device can be charged through connecting the USB terminal of computer as well as connecting charger.

### ◆ Connect to 12V/24V car charger as driving recorder

When used as driving recorder, it is required to turn on the Circulating Video Recording and Automatic Video Recording Upon Start On, at the same time, connect it with the car charger, when the vehicle engine is on, It will start video recording automatically; when the vehicle engine is off, the data will be saved, and the device will shutdown automatically.

➤ *Note:*

*Only the car charger with the output of 5V 2A can be used for the power supply, if the currency is less than 2a, the device could be damaged by the charger of other voltages.*

### ◆ Insert in and take out the memory card.

1. Confirm the inserting direction of TF card, wrong inserting direction could damage the camcorder and TF card;


2. Use the SDHC specification conforming high speed TF card, this TF card has the marking of C4 or C6.

3. In the event of the storage card format cannot be compatible with the device, the device could not read the card, and it is required to formalize the TF card.

### ◆ Turn on / off and auto off of video recorder

1. Press the power key for 1 second to turn on/off the device.
2. For saving the power capacity of battery, to set the automatic off time in the menu, the device will turn off automatically when not any operation on the video recorder.

### ◆ Camcorder Mode

1. Press REC button to start the video recording, and then press REC button to stop the video recording. During the process, red icon  will flash on the screen.

2. Select flashlight:

Choose the mode of flashlight in the status of video recording by pressing right key. The

sequencing will be forced flash  , and no flash  .

### ◆ Revise the following content in the Menu mode:

**Video recording quality:** to choose the resolution of video recording

**Circulating video recording:** to set or shut the circulating video recording, in the status of circulating video recording, when the capacity of TF card is full, the previous content shall be covered automatically.

**Motion detect:** When moving object is detected, the DVR will automatically start recording , when no moving object is detected, the DVR will continue recording for 10 s and then power off

**Automatic video recording upon start on:** when connecting car charger, the device will start the video recording automatically 3 seconds after start on.

**Power on delay:** When connecting with car charger, during the set time period (default:10s.) can continuously detected the power, the DVR will be turned on

**Power off delay:** When dis-connecting with car charger, during the set time period (default:30s.) can continuously detected no power, the DVR will be turned off.

**Sound recording:** select to open or close the microphone.

**Language:** set language.

**TV out:** NTSC/PAL.

**Auto off:** set idle time to power off the device.

**Format:** Format the TF card.

**Stamp:** Video recording/pictures whether add into the time and date, customer logo and speed info.


**Date:** Use up or down key to change the digits and press OK to go to next item.

**Auto LCD off Time:** set the time auto turn off the LCD screen; press any key to wake up the LCD screen.

**Reset system:** to set the system parameter as the default value.

**Night Mode:** if the light is dim, night mode can significantly improve the ability to capture the light, enhancing effect of night photography. Anti-glare function will clear the visual quality of the files at the night mode.

**Light source frequency:** to choose the frequency of electric wire, in the event of selecting the wrong frequency, the horizontal lines interruption will show on the image.

**G-sensor:** G-Sensor is used to test if the car has any crash. If so, it will automatically lock the file, there will be a  at the right corner of file. In this case, the video won't be erased by loop recording. There is eight settings of these sensitivity of the G-sensor: off/1/2/3/4/5/6/7. "Off" closes the G-sensor function. "1" is the lowest sensitivity and "7" is the highest. (To prevent too many locked files in the card which may affect normal loop recording, the max total size of the locked file is 1G)

**GPS auto time synchronization:** when GPS signal is catch, will automatically correct the date and time according to GPS.

**Time zone setting:** Set the time zone of your area.

**Firmware Version:** to check the firmware version number of video recorder.



## Specifications

Sensor	4M CMOS sensor, 1/3 inch light-sensing surface area
Lens	4 fixed focus Lens, aperture 2.0, focus 3.4mm
Zoom	2.7inch 16:9 TFT LCD
LCD display	Terminal: composite TV signal output NTSC/PAL High definition TV terminal interface: HDMI signal output. Max 1920X1080i50 or 1920X1080i60 AV (CVBS)
Picture	PG file format Maximum output pixel: 12.0 mega pixels
Video output	H.264 compressed format 2304X1296, 30 frame/sec, 1280 x 720, 60 frame/sec
Audio	Microphone and speaker (AAC) Equipped
Memorizer	Memory: 128M or 256M(optional) External media: SDHC (support64G max, TF card)
Shutter	Electronic shutter
Flashlight	Automatic electronic video supplement lamp (IR)
Battery	280 mAh 3.7V Polymer Li-ion battery
Size	89*42*45.8mm
Net weight	80.39g

**Warning Notice****■ Cannot take pictures or video clips.**

Check the TF card whether it's locked or has insufficient space.

**■ Stop recording half way.**

Please check whether your TF card supports high-speed transmission (marked with C10).

**■ "File error" pops up in playback mode.**

Please format the TF card.

**■ No image on TV screen.**

Make sure AV or HDMI cable is correctly connected. Make sure TV is switched to correct mode.

**■ Video or pictures are blurry.**

Please clean up the lens.

**■ Flashlights cannot be used.**

The battery might be low.

**■ Horizontal lines interruption in the image**

This is caused by the light source is wrongly set, please set as 50Hz or 60Hz according to the local power supply frequency.

◆ **GPS Player Install Instruction:**

(1) Firmware Installation

Install the “Driver.exe” at CD disk.



(2) Play the video

Double-click the “Player.exe”, select the file and play it.



FCC Statement:

This device complies with part 15 of the FCC Rules. Operation is subject to the following two conditions: (1) This device may not cause harmful interference, and (2) this device must accept any interference received, including interference that may cause undesired operation.

This equipment has been tested and found to comply with the limits for a Class B digital device, pursuant to part 15 of the FCC Rules. These limits are designed to provide reasonable protection against harmful interference in a residential installation. This equipment generates, uses and can radiate radio frequency energy and, if not installed and used in accordance with the instructions, may cause harmful interference to radio communications. However, there is no guarantee that interference will not occur in a particular installation. If this equipment does cause harmful interference to radio or television reception, which can be determined by turning the equipment off and on, the user is encouraged to try to correct the interference by one or more of the following measures:

- Reorient or relocate the receiving antenna.
- Increase the separation between the equipment and receiver.
- Connect the equipment into an outlet on a circuit different from that to which the receiver is connected.
- Consult the dealer or an experienced radio/TV technician for help.

Caution: Any changes or modifications not expressly approved by the party responsible for compliance could void the user's authority to operate the equipment.