

# 26.0×10.0×1.2mm WiFi / BT PCB Antenna (P2610-00)

## 1.Explanation of Product Number

S	2	B	1	B	C	6	A	1	B	0	1	0	0	1
				(1)	(2)	(3)	(4)				(5)			



### Product Code:

(1) Application:

B: WiFi / BT antenna

(2) Dimensions:

C6: 26.0×10.0×1.2mm

(3) Material:

A: GF

(4) Working Frequencies

1B: 2400~2500

(5) Antenna Series:

01: serial number

Tolerances (Unless otherwise specified)

X : ± 1      XX : ± 0.1      X.XX : ± 0.01

Angle : ±      Hole Dia. : ±

Scale :      Unit: mm

Prepared By :Shelley      Checked By :Joy

Approved By : Frank



**Unictron**  
Technologies Corp.

**Unictron Technologies Corporation**

Website: [www.unictron.com](http://www.unictron.com)

THIS SPECIFICATION IS THE PROPERTY OF UNICTRON TECHNOLOGIES CORPORATION AND SHALL NOT BE REPRODUCED OR USED IN ALL CIRCUMSTANCES WITHOUT WRITTEN PERMISSION

**TITLE: 26.0×10.0×1.2mm WiFi PCB Antenna (P2610-00)**

**PART NO.**

**S2B1BC6A1B01001**

REV.

**A**

## 2.Features

- \*Stable and reliable in performances
- \*Compact size
- \*RoHS compliance

## 3.Applications

- \* IEEE802.11 (b/g/n).
- \* Hand-held devices when WiFi / BT (802.11 b/g/n) functions are needed.


## 4.Description

Unictron's FPC antenna series are specially designed for WiFi (802.11 b/g/n) applications. Based on Unictron's proprietary design and processes, this PCB antenna has excellent stability and sensitivity to consistently provide high signal reception efficiency.

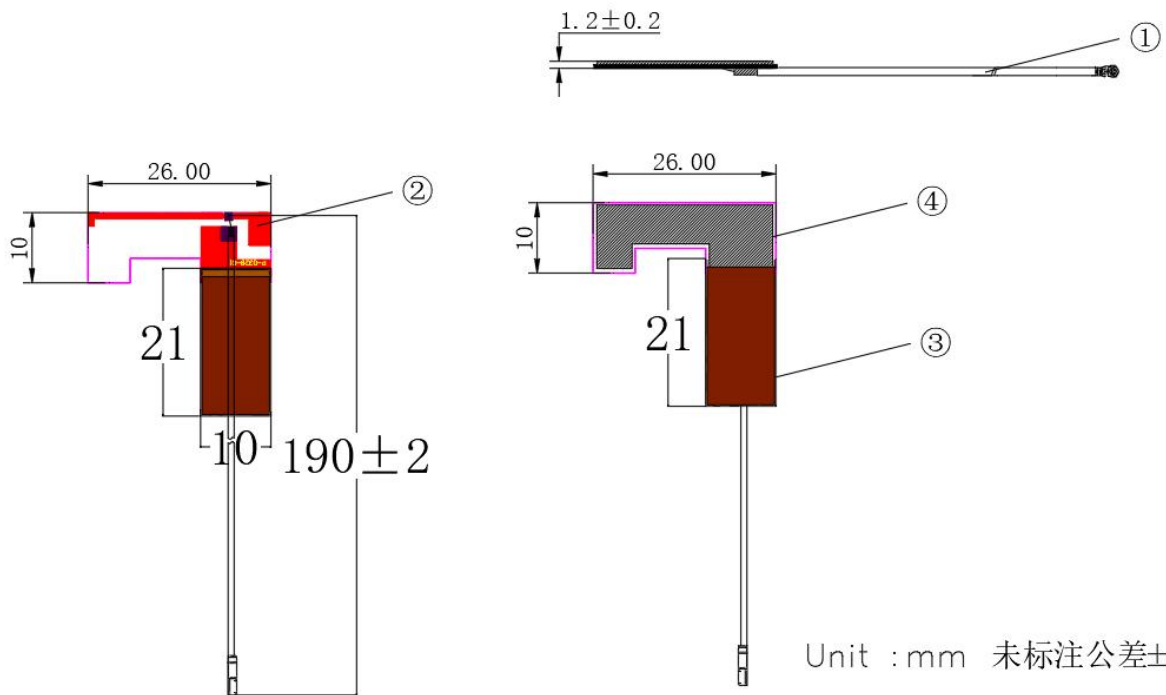
## 5.Electrical Specifications

5-1. Electrical Table (2400~2500MHz Band)

Characteristics		Specifications	Unit
Outline Dimensions		26 x 10 x 1.2	mm
Center Frequency		2400~2500	MHz
Bandwidth		100 min.	MHz
VSWR		2 max.	
Impedance		50	$\Omega$
Polarization		Linear Polarization	
Gain*	Peak	0.9 (typical)	dBi
	Efficiency	56(typical)	%

Tolerances (Unless otherwise specified) X: $\pm 1$ X.X: $\pm 0.1$ X.XX: $\pm 0.01$ Angle : $\pm$ Hole Dia. : $\pm$		 <b>Unictron Technologies Corporation</b> Website: <a href="http://www.unictron.com">www.unictron.com</a>		
Scale :	Unit: mm	THIS SPECIFICATION IS THE PROPERTY OF UNICTRON TECHNOLOGIES CORPORATION AND SHALL NOT BE REPRODUCED OR USED IN ALL CIRCUMSTANCES WITHOUT WRITTEN PERMISSION		
Prepared By :Shelley	Checked By :Joy			
	Approved By : Frank			
<b>TITLE: 26.0×10.0×1.2mm WiFi PCB Antenna (P2610-00)</b>		<b>PART NO.</b>	<b>S2B1BC6A1B01001</b>	REV. <b>A</b>

## 6. Antenna Dimensions (unit: mm) .



Unit : mm 未标注公差± 2

4	3M9448A(25*9*0.5mm)	1
3	P-0331-01(21*10*0.12mm)	1
2	P-0328-01(26*10*0.5mm)	1
1	0.81*190MM+USS RF II	1
ITEM	Description	Qty
	Material	

Tolerances (Unless otherwise specified)

X : ± 1      X.X : ± 0.1      X.XX : ± 0.01

Angle : ±      Hole Dia. : ±

Scale :      Unit: mm

Prepared By :Shelley      Checked By :Joy

Approved By : Frank



Unictron Technologies Corporation  
Website: www.unictron.com

THIS SPECIFICATION IS THE PROPERTY OF UNICTRON TECHNOLOGIES CORPORATION AND SHALL NOT BE REPRODUCED OR USED IN ALL CIRCUMSTANCES WITHOUT WRITTEN PERMISSION

**TITLE: 26.0×10.0×1.2mm WiFi PCB  
Antenna (P2610-00)**

**PART  
NO.**

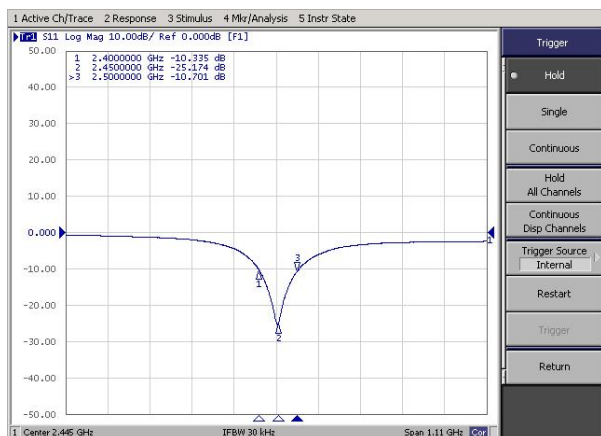
**S2B1BC6A1B01001**

REV.

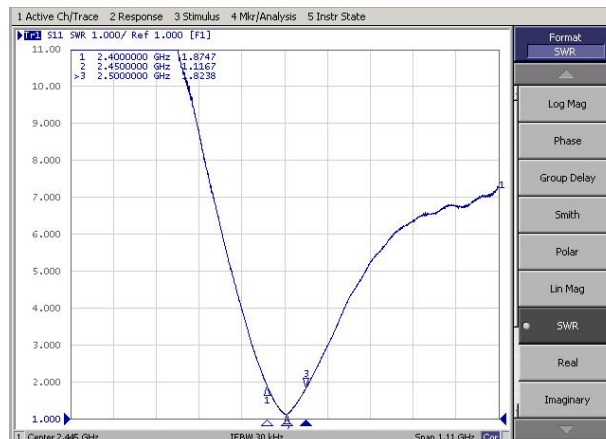
**A**

## 7..Return Loss & VSWR

### Return Loss (S<sub>11</sub>)



### VSWR (S<sub>11</sub>)



### Antenna efficiency

Freq (MHz)	Gain (dBi)	Efficiency (dB)	Efficiency (%)
2400	1.39	-2.88	51.58
2410	1.46	-2.74	53.27
2420	1.52	-2.65	54.36
2430	1.61	-2.58	55.19
2440	1.59	-2.63	54.53
2450	1.59	-2.66	54.23
2460	1.54	-2.74	53.20
2470	1.43	-2.86	51.79
2480	1.33	-2.91	51.22
2490	1.28	-2.96	50.56
2500	1.23	-3.08	50.11

Tolerances (Unless otherwise specified)

X: ± 1      X.X: ± 0.1      X.XX: ± 0.01

Angle: ±      Hole Dia.: ±

Scale:      Unit: mm

Prepared By :Shelley      Checked By :Joy

Approved By : Frank



Unictron Technologies Corporation  
Website: www.unictron.com

THIS SPECIFICATION IS THE PROPERTY OF UNICTRON TECHNOLOGIES CORPORATION AND SHALL NOT BE REPRODUCED OR USED IN ALL CIRCUMSTANCES WITHOUT WRITTEN PERMISSION

**TITLE: 26.0×10.0×1.2mm WiFi PCB  
Antenna (P2610-00)**

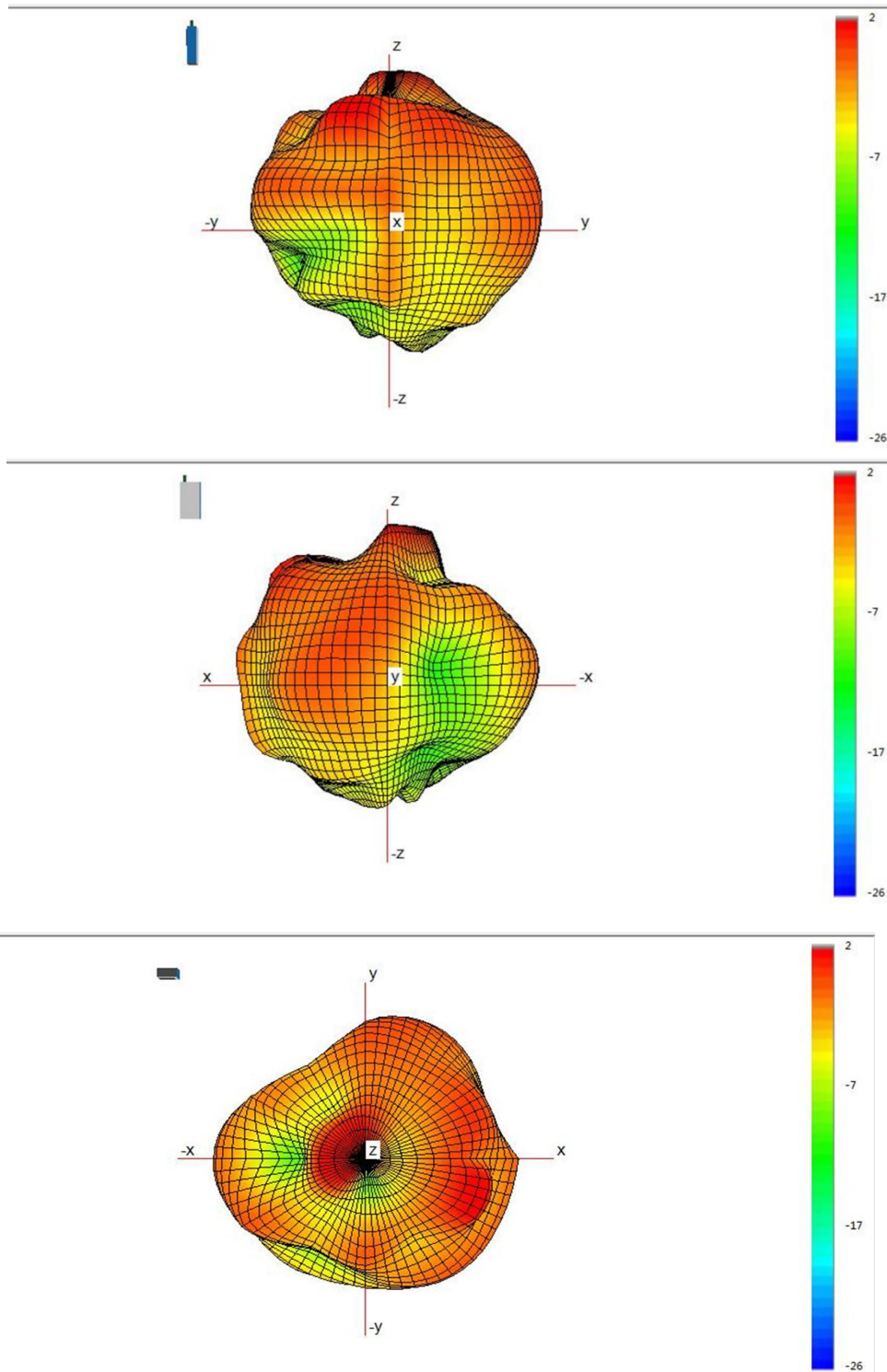
**PART  
NO.**

**S2B1BC6A1B01001**


**REV.  
A**

# 8. Radiation Pattern

## 8-1.3D Gain Pattern @ 2450 MHz (unit: dBi)



Tolerances (Unless otherwise specified)	
X : ± 1	X.X : ± 0.1    X.XX : ± 0.01
Angle : ±	Hole Dia. : ±
Scale :	Unit: mm
Prepared By :Shelley	Checked By :Joy
	Approved By : Frank



**Unictron Technologies Corporation**  
 Website: [www.unictron.com](http://www.unictron.com)

THIS SPECIFICATION IS THE PROPERTY OF UNICTRON TECHNOLOGIES CORPORATION AND SHALL NOT BE REPRODUCED OR USED IN ALL CIRCUMSTANCES WITHOUT WRITTEN PERMISSION

<b>TITLE: 26.0×10.0×1.2mm WiFi PCB Antenna (P2610-00)</b>	<b>PART NO.</b>	<b>S2B1BC6A1B01001</b>	<b>REV.</b>
			<b>A</b>

## 9. Packing Introduction

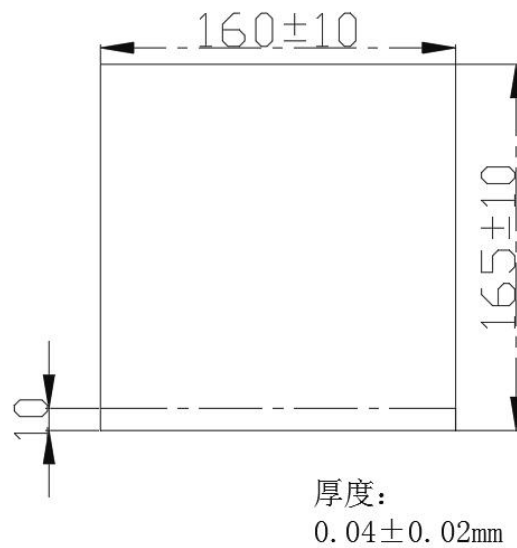
9.1 Quantity/Packing: 25/ parcel ; 2500PCS/ carton


9.2 parcel type(unit:mm)

包装如下图:

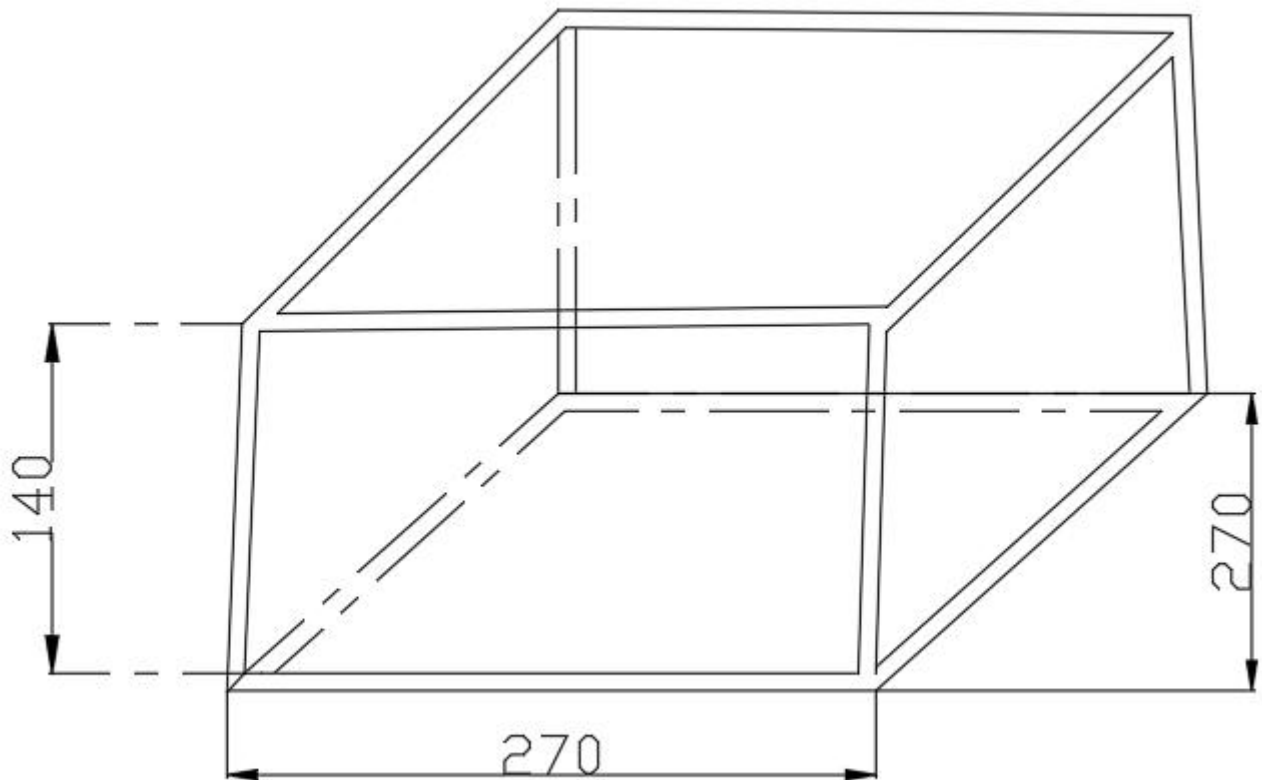



9.3 PE 袋尺寸



Tolerances (Unless otherwise specified) X : ± 1      X.X : ± 0.1      X.XX : ± 0.01 Angle : ±      Hole Dia. : ±		 <b>Unictron Technologies Corporation</b> Website: <a href="http://www.unictron.com">www.unictron.com</a>		
Scale :	Unit: mm	THIS SPECIFICATION IS THE PROPERTY OF UNICTRON TECHNOLOGIES CORPORATION AND SHALL NOT BE REPRODUCED OR USED IN ALL CIRCUMSTANCES WITHOUT WRITTEN PERMISSION		
Prepared By :Shelley	Checked By :Joy			
	Approved By : Frank			
<b>TITLE: 26.0×10.0×1.2mm WiFi PCB Antenna (P2610-00)</b>		<b>PART NO.</b>	<b>S2B1BC6A1B01001</b>	REV. <b>A</b>


9.3 Carton type(unit:mm)



Tolerances (Unless otherwise specified) X : ± 1      X.X : ± 0.1      X.XX : ± 0.01 Angle : ±      Hole Dia. : ±		 <b>Unictron Technologies Corporation</b> Website: <a href="http://www.unictron.com">www.unictron.com</a>	THIS SPECIFICATION IS THE PROPERTY OF UNICTRON TECHNOLOGIES CORPORATION AND SHALL NOT BE REPRODUCED OR USED IN ALL CIRCUMSTANCES WITHOUT WRITTEN PERMISSION	
Scale :	Unit: mm			
Prepared By :Shelley	Checked By :Joy			
	Approved By : Frank			
<b>TITLE: 26.0×10.0×1.2mm WiFi PCB Antenna (P2610-00)</b>		<b>PART NO.</b>	<b>S2B1BC6A1B01001</b>	REV. <b>A</b>

## 10. Revision Control:

Revision	Date	Content	Remark
A	Jun.07.2023	New Issued.	N/A

Tolerances (Unless otherwise specified) X : ± 1      X.X : ± 0.1      X.XX : ± 0.01 Angle : ±      Hole Dia. : ±		 <b>Unictron Technologies Corporation</b> Website: <a href="http://www.unictron.com">www.unictron.com</a>	
Scale :	Unit: mm		
Prepared By :Shelley	Checked By :Joy	THIS SPECIFICATION IS THE PROPERTY OF UNICTRON TECHNOLOGIES CORPORATION AND SHALL NOT BE REPRODUCED OR USED IN ALL CIRCUMSTANCES WITHOUT WRITTEN PERMISSION	
	Approved By : Frank		
<b>TITLE: 26.0×10.0×1.2mm WiFi PCB Antenna (P2610-00)</b>		<b>PART NO.</b> <b>S2B1BC6A1B01001</b>	REV. <b>A</b>