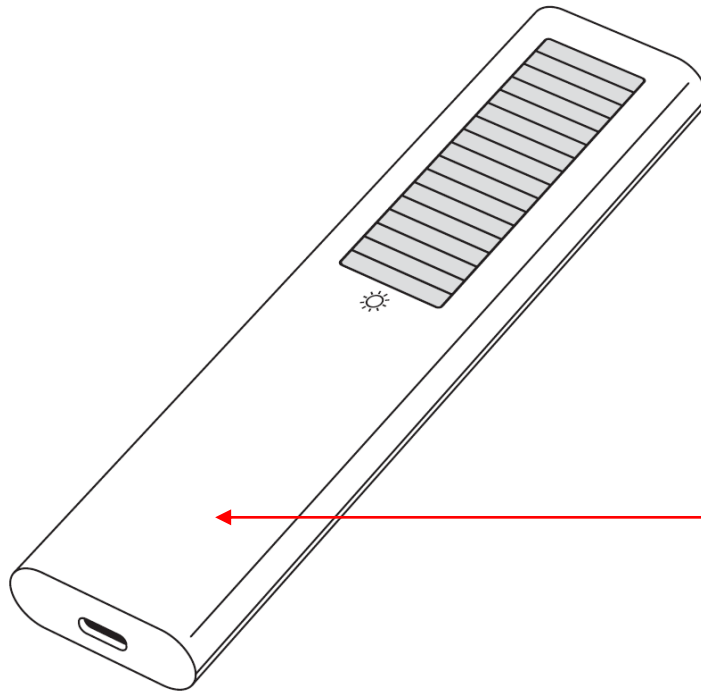


IDENTIFICATION LABEL:

PROPOSED LABEL

The shall be permanently affixed in the rear side of the equipment



SMART CONTROL / Смарт-пульт ДК
Model / Модель : VG-TM2460
Part Code : BN59-XXXXXX
IC : 649E-VGTM2460
Approved by PTA X.XXXX/XXXX
ANATEL : XXXXX-XX-XXXXX
IFT: En trámite
((XXXXXXXXXXXXXXXXX IC (A-SA TA-XXXX/XXXX
R-C-SEC-VGTM2460 APPROVED
FCC ID:A3LVGTM2460
K CONATEL UK CAC E
NR:XXXX-XX-X-XXXX
R-NZ
Samsung, PO Box 12987, Dublin. IE or Yateley, GU46 6GG. UK
MADE IN INDONESIA / fabriqué en Indonésie / Произведено в Индонезии /
Вироблено у Індонезія DC 5V \equiv 200mA