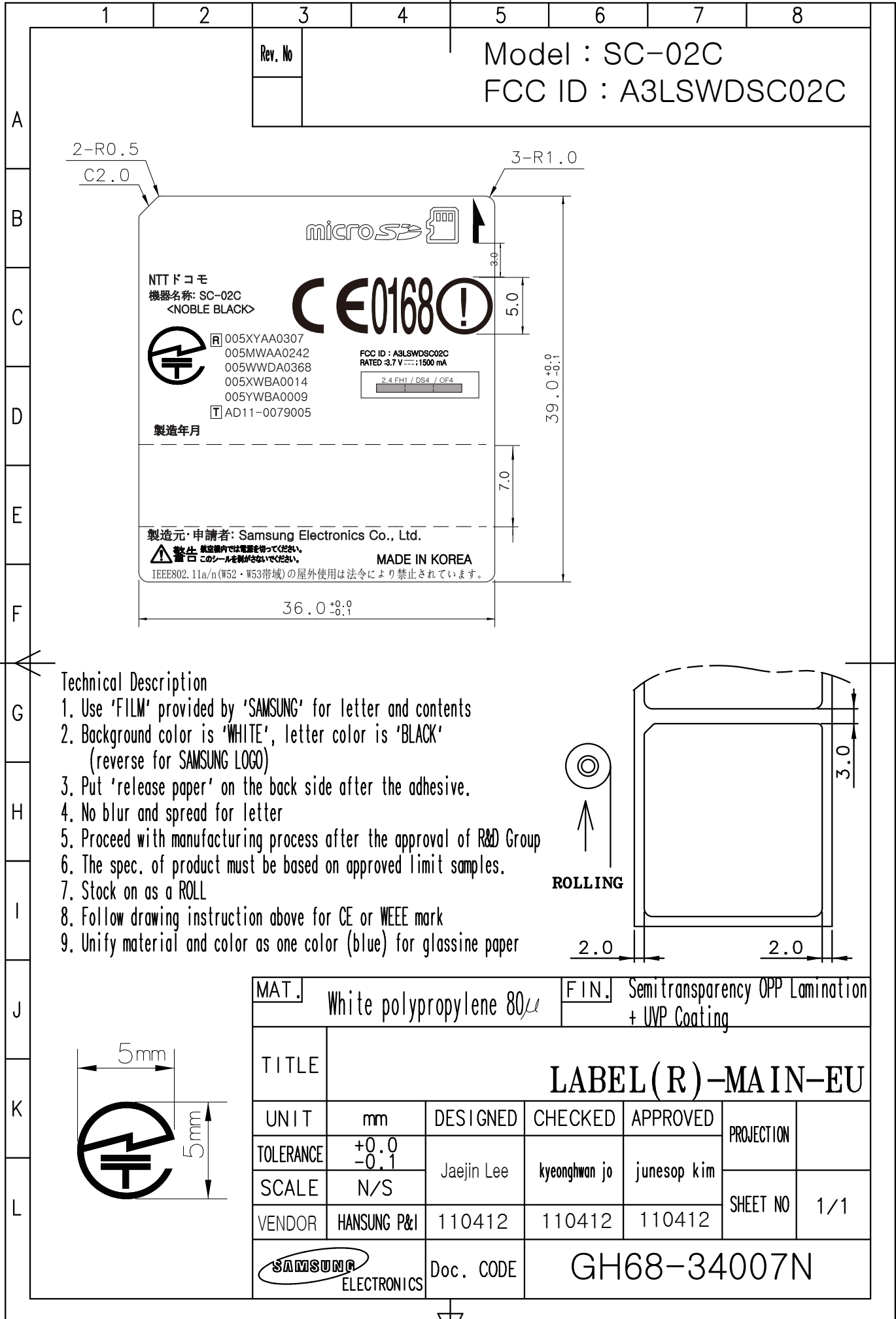
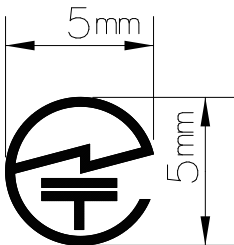
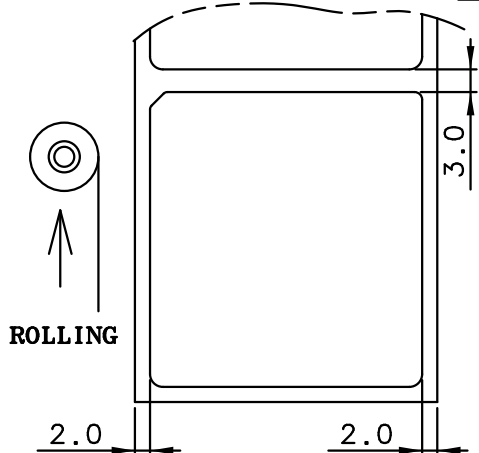


This drawing is property of SEC. Use or copy of this drawing without proper permission from the appropriate technical-document managing department is prohibited.



Technical Description

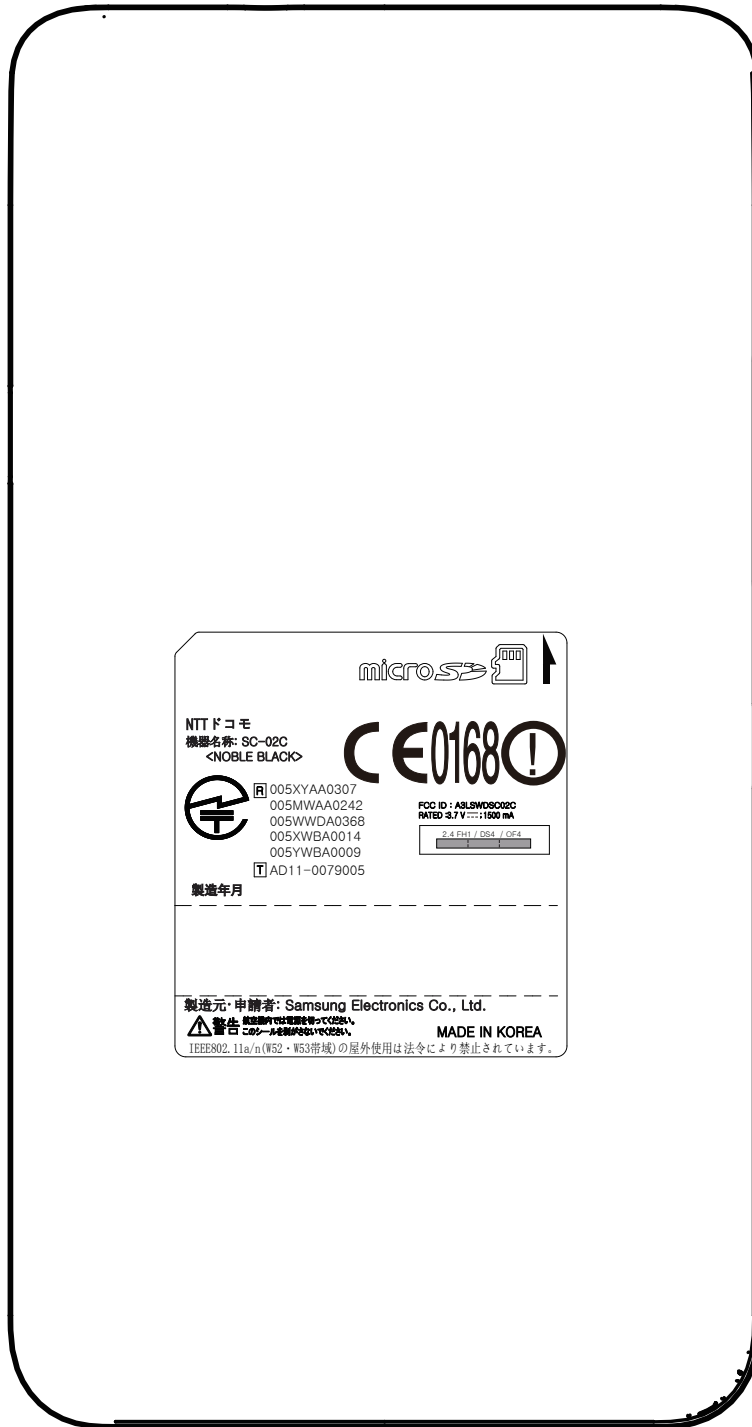
1. Use 'FILM' provided by 'SAMSUNG' for letter and contents
2. Background color is 'WHITE', letter color is 'BLACK'  
(reverse for SAMSUNG LOGO)
3. Put 'release paper' on the back side after the adhesive.
4. No blur and spread for letter
5. Proceed with manufacturing process after the approval of R&D Group
6. The spec. of product must be based on approved limit samples.
7. Stock on as a ROLL
8. Follow drawing instruction above for CE or WEEE mark
9. Unify material and color as one color (blue) for glassine paper



MAT.	White polypropylene 80 $\mu$	FIN.	Semitransparency OPP Lamination + UVP Coating		
TITLE	<b>LABEL (R) - MAIN - EU</b>				
UNIT	mm	DESIGNED	CHECKED	APPROVED	PROJECTION
TOLERANCE	+0.0 -0.1	Jaejin Lee	kyeongwan jo	junesop kim	SHEET NO 1/1
SCALE	N/S				
VENDOR	HANSUNG P&I	110412	110412	110412	
		Doc. CODE	<b>GH68-34007N</b>		

Model : SC-02C

FCC ID : A3LSWDSC02C



The label is placed inside the battery compartment