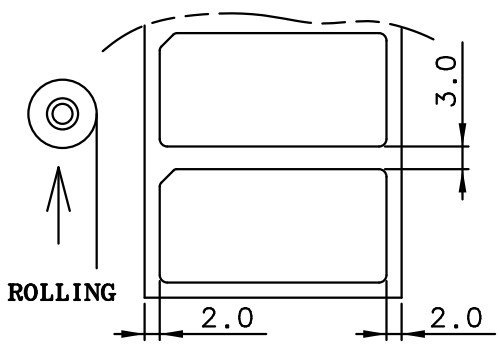


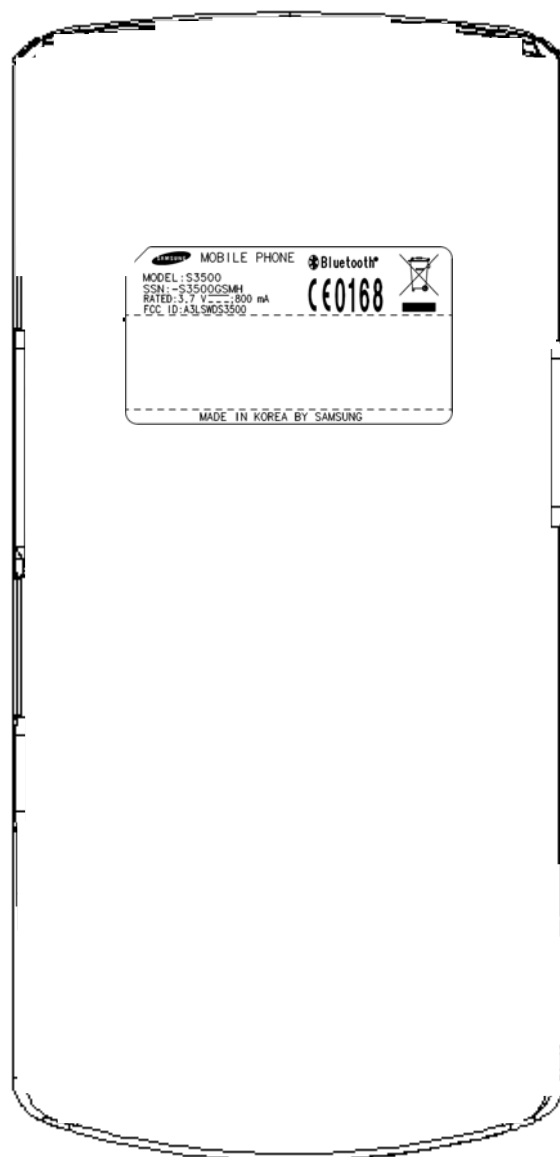
**Technical Description**

1. Use FILM provided by SAMSUNG for letter and contents
2. Background color is WHITE , letter color is BLACK (reverse for SAMSUNG LOGO)
3. Put Back paper on the back side after the adhesive.
4. No blur and spread for letter
5. Proceed with manufacturing process after the approval of R&D Group
6. The spec. of product must be based on approved limit samples.
7. Stock on as a ROLL
8. Follow drawing instruction above for CE or WEEE mark
9. Unify material and color as one color (blue) for glassine paper



MAT.	White Polypropylene 80 $\mu$		FIN.				반투명OPP라미네팅+UVP코팅	
TITLE	S3500		LABEL(R)-MAIN					
UNIT	mm	DESIGNED	CHECKED	APPROVED	PROJECTION			
TOLERANCE	+0.0 -0.1	이재진	X	조경환				
SCALE	N/S							
제작	한성피엔아이	08-10-09			08-10-09	SHEET NO	1/1	
SAMSUNG ELECTRONICS		Doc. CODE	GH68-			A		

### 3. Label Location



Note: The FCC ID label shown will be readily visible at the time of purchase.