

FCC ID: A3LSMT725C  
FDD 1/3/5/7/8/12/17/20  
TDD 34/38/39/40/41  
3G 1/2/5/8  
2G 850/900/1800/1900

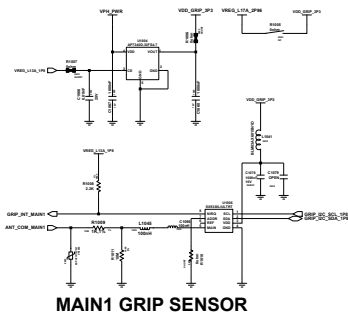
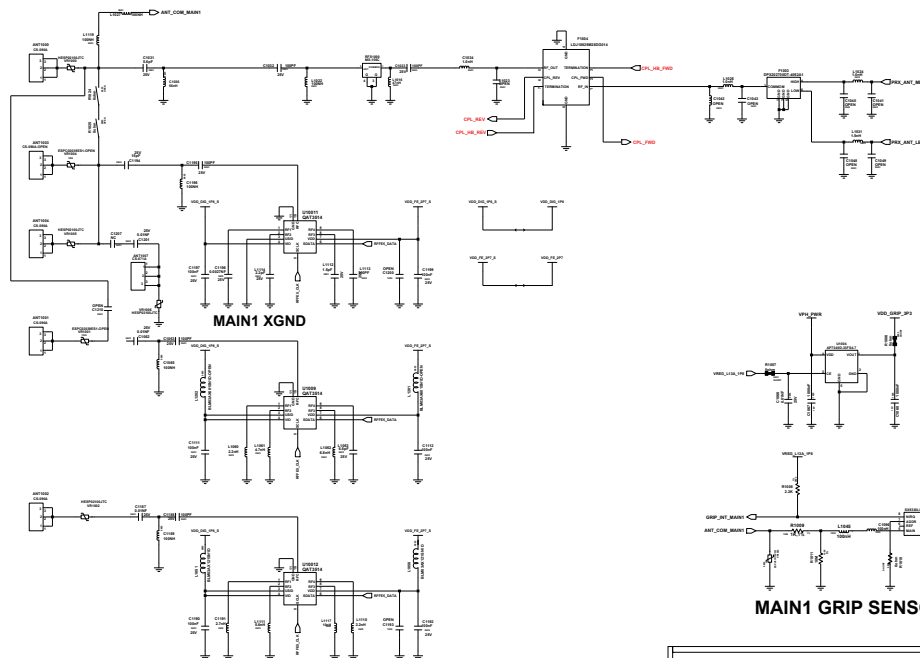
# SM-T725C REV0.4

- SHEET 01 : MAIN RF FRONT-END**
- SHEET 02 : TRCV, APT, DIVERSITY RF FRONT-END**
- SHEET 03 : SENSORS, BT/WIFI/FM**
- SHEET 04 : AP (SDM660)**
- SHEET 05 : PMIC, IF-PMIC**
- SHEET 06 : MEMORY, IF & SIDE INTERFACE**
- SHEET 07 : CAMERA, DISPLAY**
- SHEET 08 : AUDIO**
- SHEET 09 : IF PCB**
- SHEET 10 : SIDE PCB**

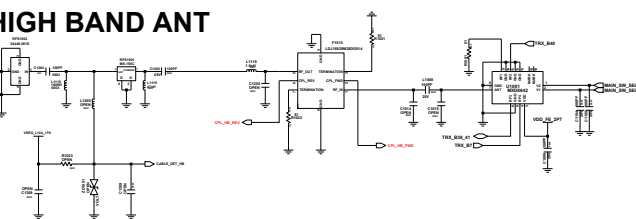
Engineer:						
Drawn by:						
TRD ORN:	TITLE: <input type="text"/>					
SOC/CELL CODE:						
INFO ENG/PCB:						
OR CIRC:	REV: <input type="text"/>					
Changed By:	Date Changed:	Time Changed:	OR CIRC:	REV:	Drawing Number:	Page:
						3

# RF PART 1

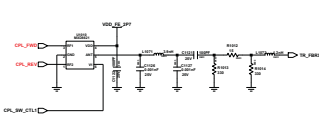
## LOW-MID BAND ANT



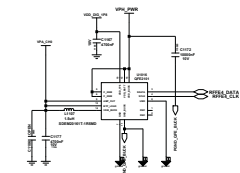
## HIGH BAND ANT



## FBRX



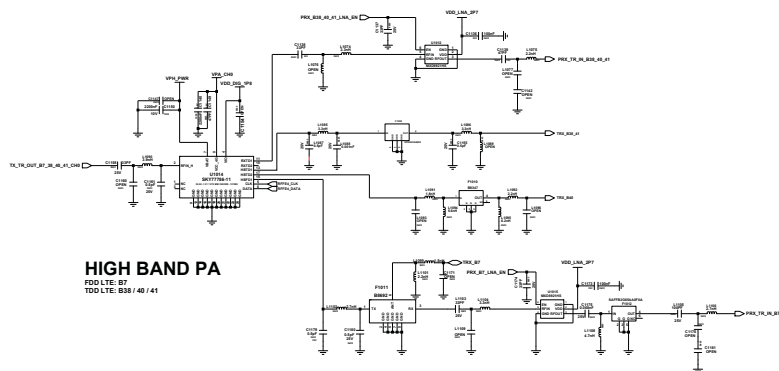
## PA Thermister



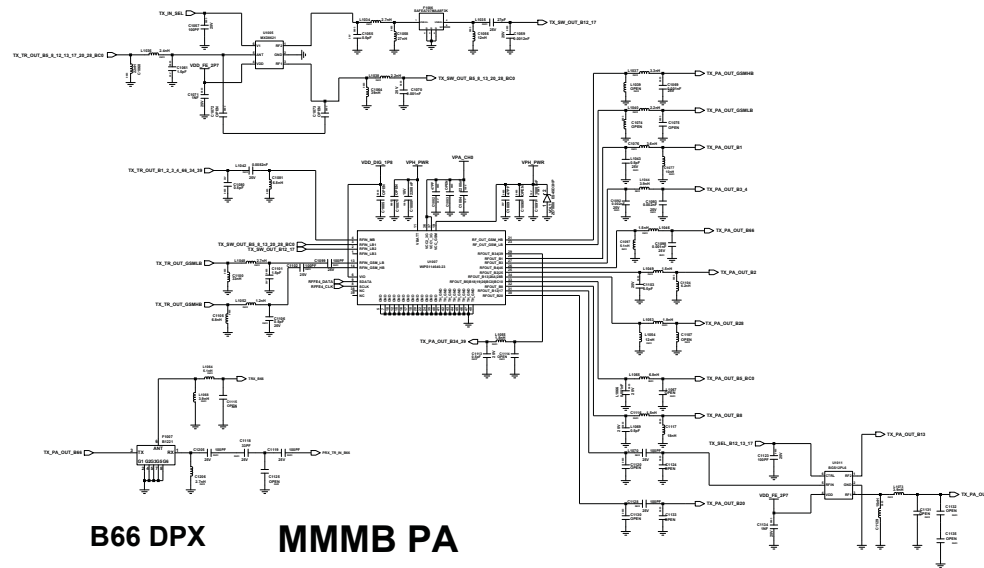
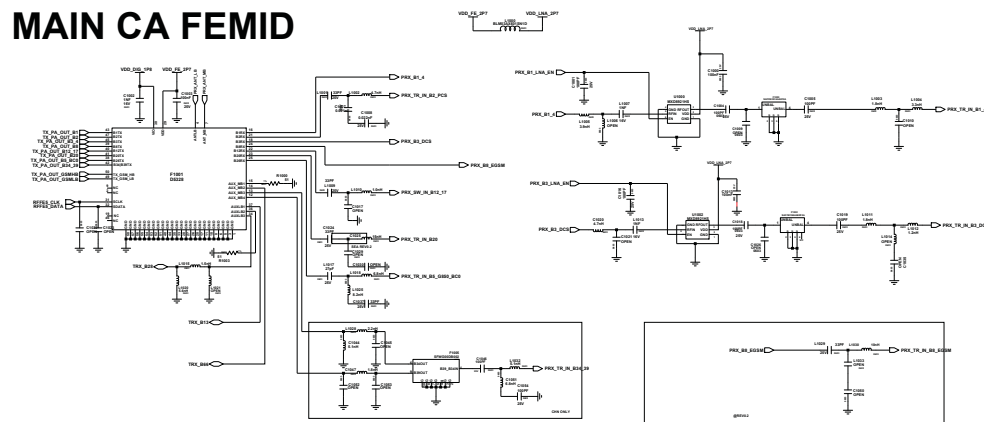
QFE2101 APT MODULATOR

## HIGH BAND PA

FDD LTE: B7  
TDD LTE: B38 / 40 / 41



## MAIN CA FEMID



## B66 DPX

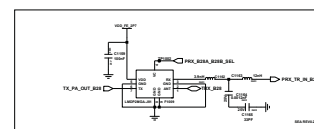
## MMB PA

2G : EGSM / DCS / PCS / GSM850

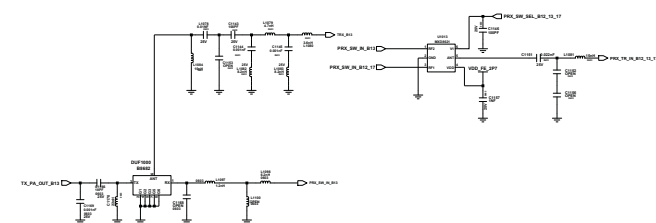
3G : B1 / 2 / 4 / 5 / 8

LTE : B1 / 2 / 3 / 4 / 5 / 8 / 12 / 13 / 17 / 20 / 28

## B28 DPX

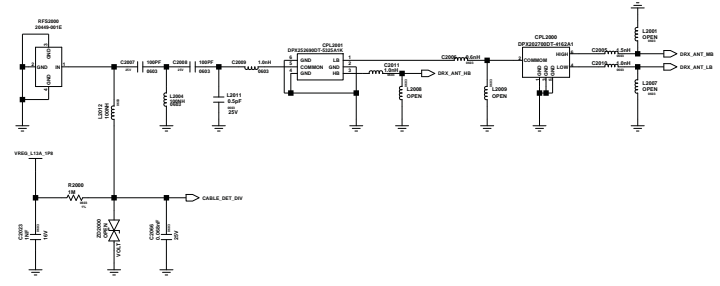


## B13 DPX

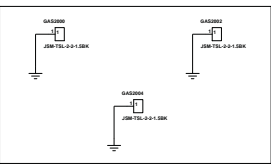


DATE	
DESIGNER	
REVIEWER	
APPROVED	
DATE	

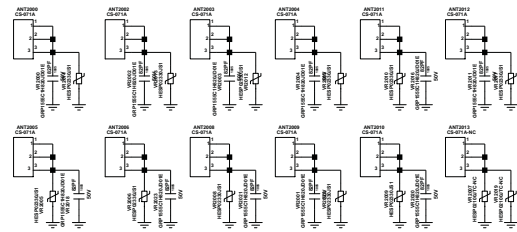
# RF PART 2



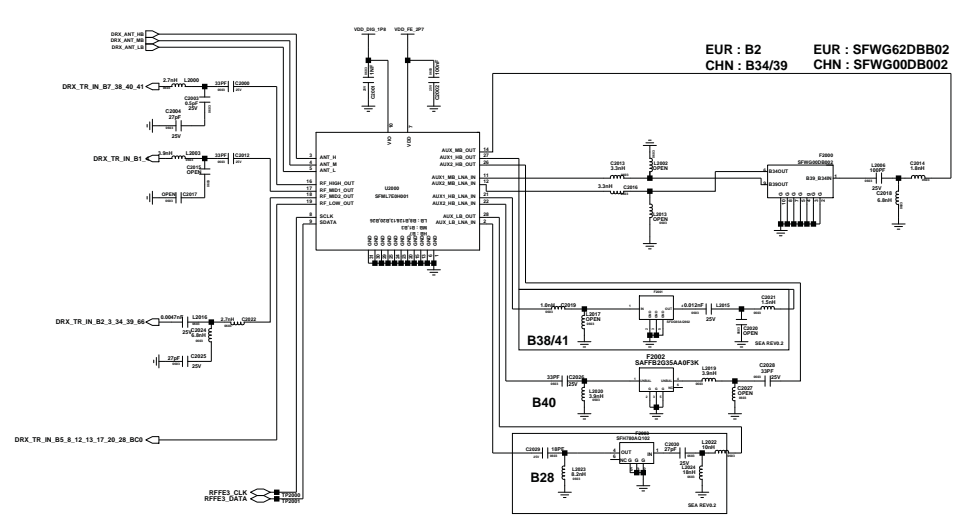
## SUB ANT



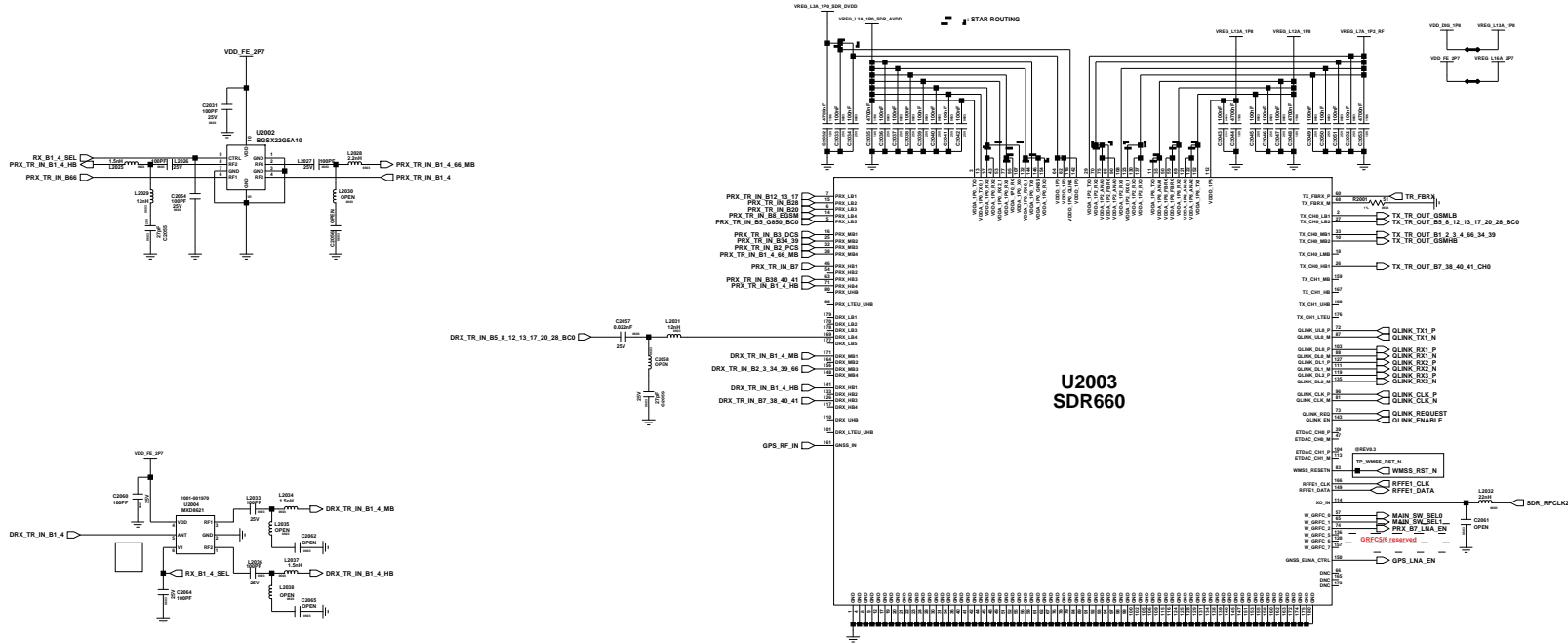
Front CONTACT



Rear CONTACT

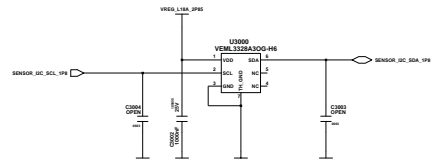


## DRX LFEM

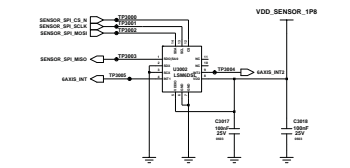


## SDR660 RF TRANCEIVER

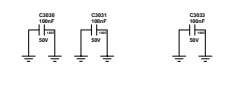
## SENSOR



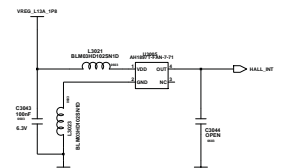
RGB Sensor



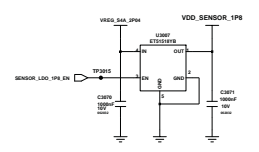
ACC&GYRO SENSOR



MAGNETIC SENSOR

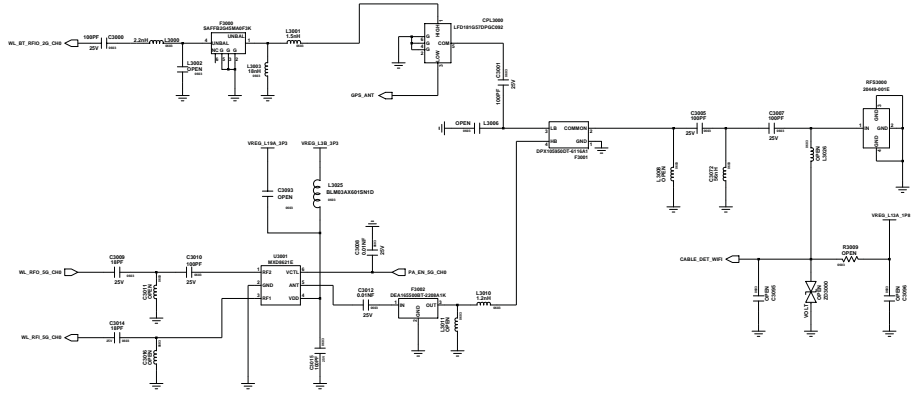


HALL IC

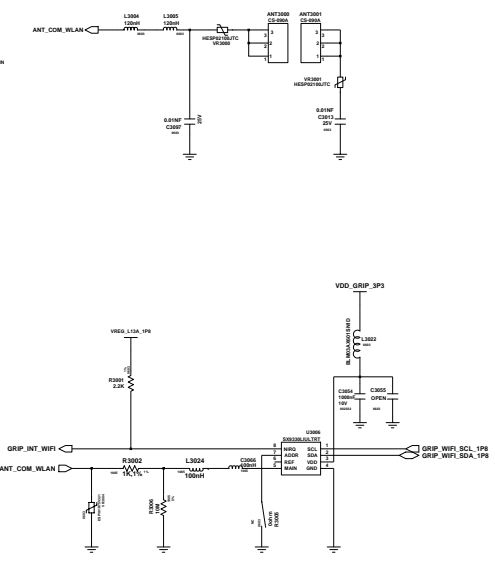
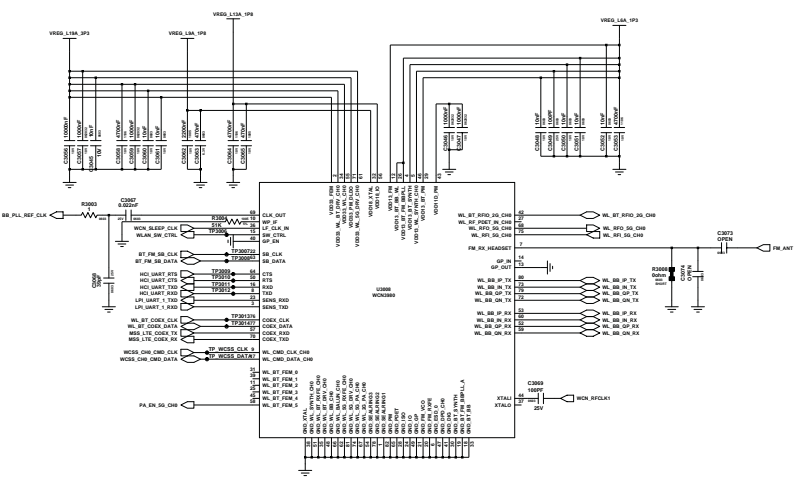
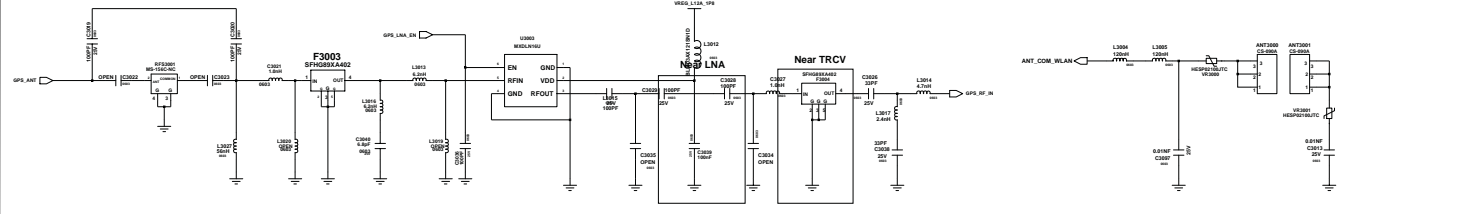


SENSOR LDO

## WIFI/BT/FM



## GPS / GNSS / BEIDOU



WIFI\_GRIP SENSOR

Engineer:	SENSOR, WIFI/BT/GPS
Drawn By:	...
Check By:	...
Appr. By:	...
Rev:	1.0
Date:	...
Page:	3

# AP(SDM710)

## UCP4000-2 SDM670-7

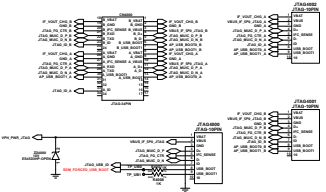
## UCP4000-1 SDM670-7

## UCP4000-3 SDM670-7

## UME4000 KMDH6001DA-B422

## eMCP

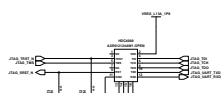
### PCB JTAG



### REGION

REGION	DATE	COM	REV	APP	APP
1	2008.08.01	1.0	1.0	1.0	1.0
2	2008.08.01	1.0	1.0	1.0	1.0
3	2008.08.01	1.0	1.0	1.0	1.0
4	2008.08.01	1.0	1.0	1.0	1.0
5	2008.08.01	1.0	1.0	1.0	1.0
6	2008.08.01	1.0	1.0	1.0	1.0
7	2008.08.01	1.0	1.0	1.0	1.0
8	2008.08.01	1.0	1.0	1.0	1.0
9	2008.08.01	1.0	1.0	1.0	1.0
10	2008.08.01	1.0	1.0	1.0	1.0
11	2008.08.01	1.0	1.0	1.0	1.0
12	2008.08.01	1.0	1.0	1.0	1.0
13	2008.08.01	1.0	1.0	1.0	1.0
14	2008.08.01	1.0	1.0	1.0	1.0
15	2008.08.01	1.0	1.0	1.0	1.0
16	2008.08.01	1.0	1.0	1.0	1.0
17	2008.08.01	1.0	1.0	1.0	1.0
18	2008.08.01	1.0	1.0	1.0	1.0
19	2008.08.01	1.0	1.0	1.0	1.0
20	2008.08.01	1.0	1.0	1.0	1.0
21	2008.08.01	1.0	1.0	1.0	1.0
22	2008.08.01	1.0	1.0	1.0	1.0
23	2008.08.01	1.0	1.0	1.0	1.0
24	2008.08.01	1.0	1.0	1.0	1.0
25	2008.08.01	1.0	1.0	1.0	1.0
26	2008.08.01	1.0	1.0	1.0	1.0
27	2008.08.01	1.0	1.0	1.0	1.0
28	2008.08.01	1.0	1.0	1.0	1.0
29	2008.08.01	1.0	1.0	1.0	1.0
30	2008.08.01	1.0	1.0	1.0	1.0

### JTAG CONNECTOR

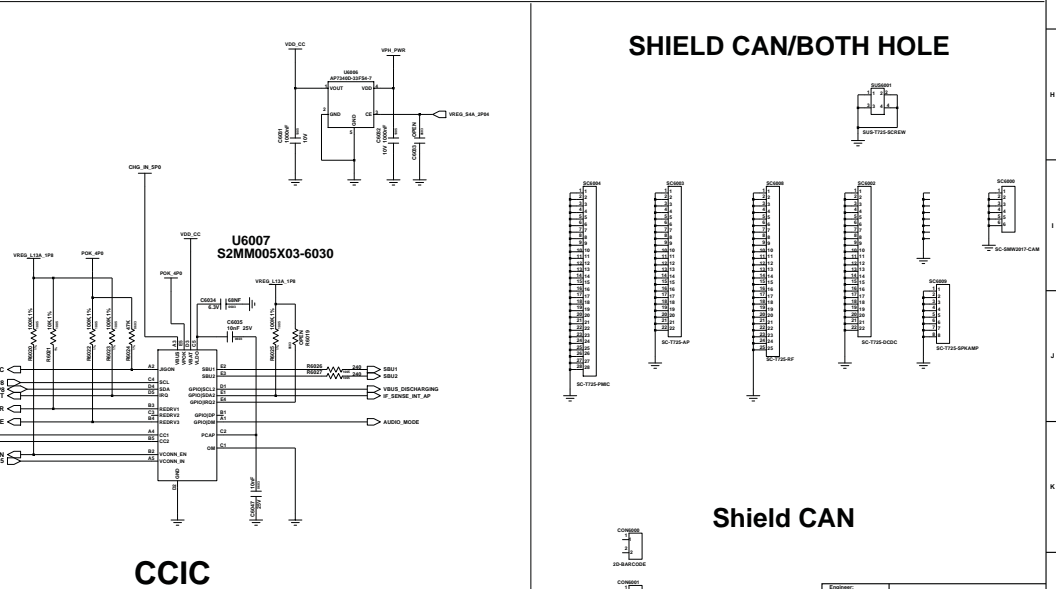
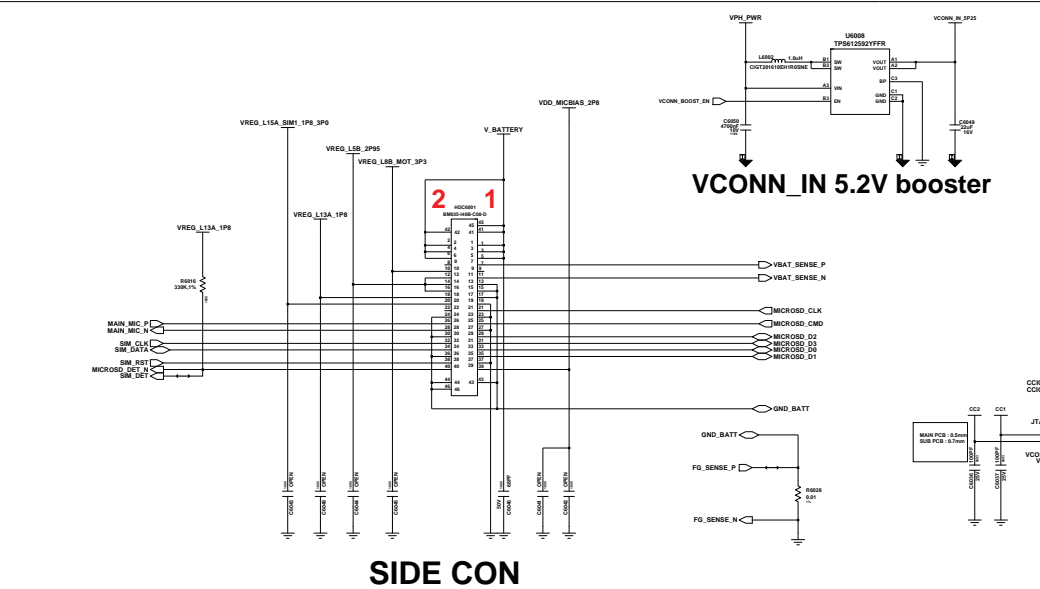
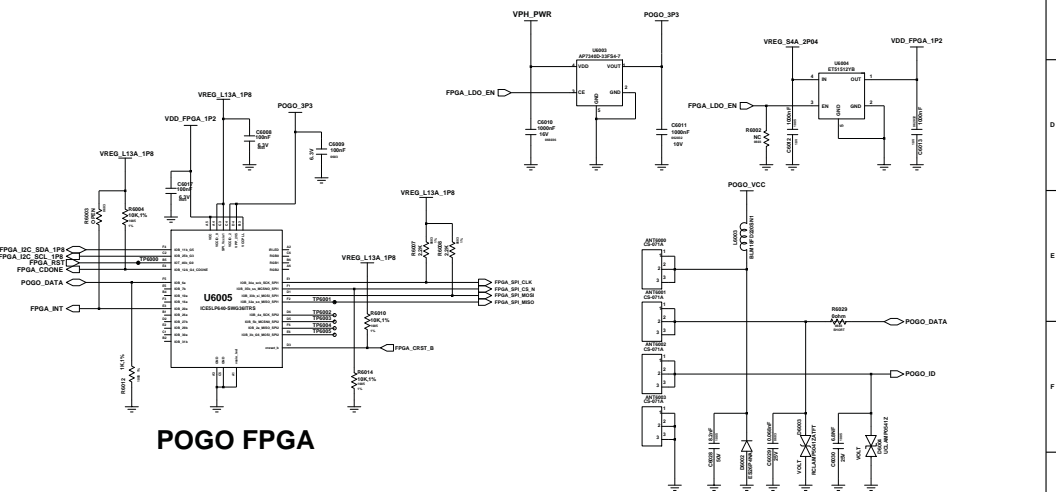
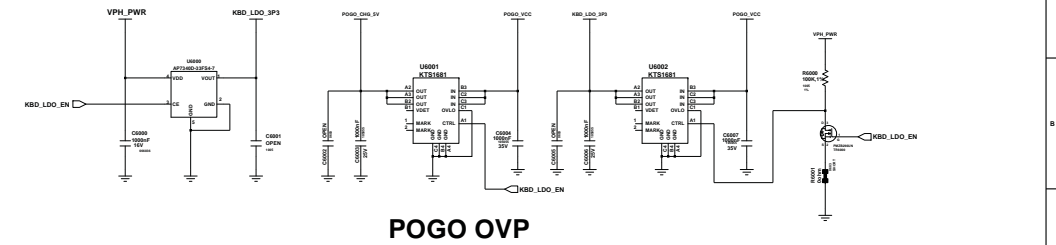
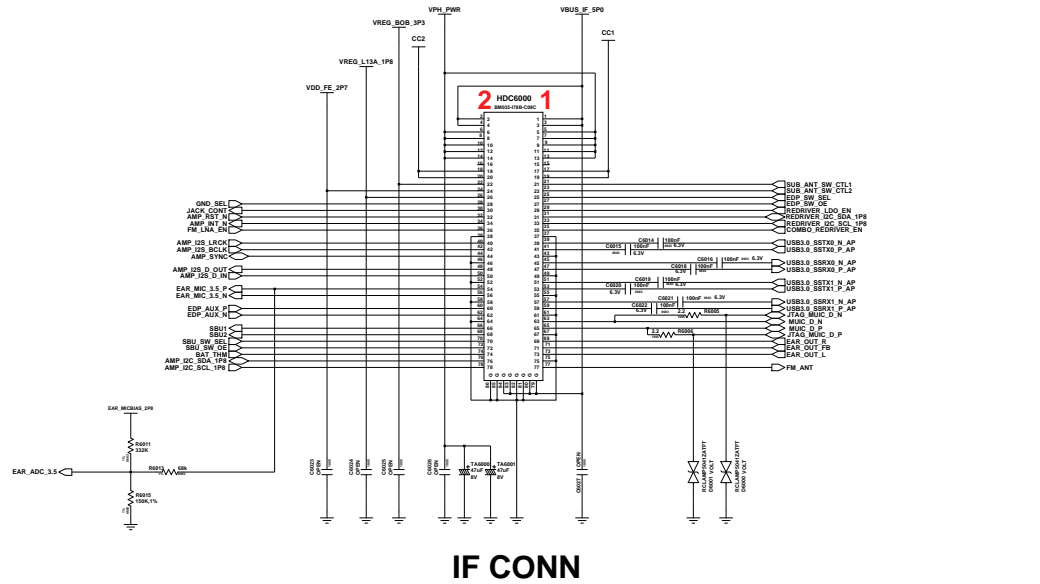


### PCB H/W Revision

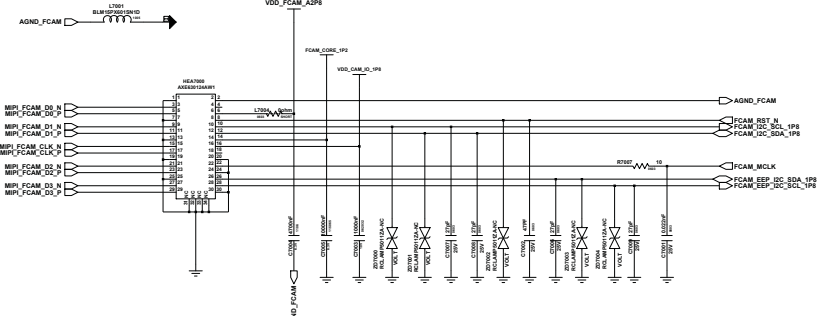
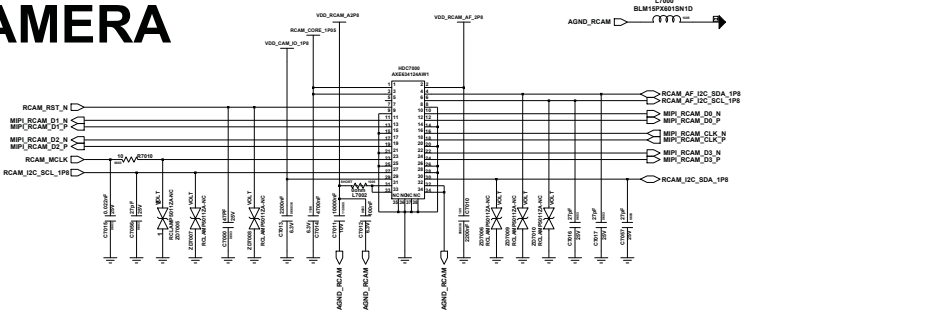
REV	DATE	DESCRIPTION
1.0	2008.08.01	Initial Release
1.1	2008.08.01	Minor Revision
1.2	2008.08.01	Minor Revision
1.3	2008.08.01	Minor Revision
1.4	2008.08.01	Minor Revision
1.5	2008.08.01	Minor Revision
1.6	2008.08.01	Minor Revision
1.7	2008.08.01	Minor Revision
1.8	2008.08.01	Minor Revision
1.9	2008.08.01	Minor Revision
2.0	2008.08.01	Major Revision



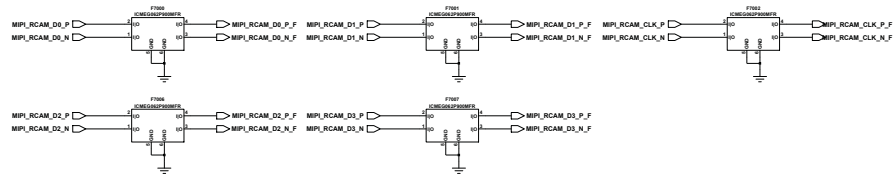
# IF & SIDE interface



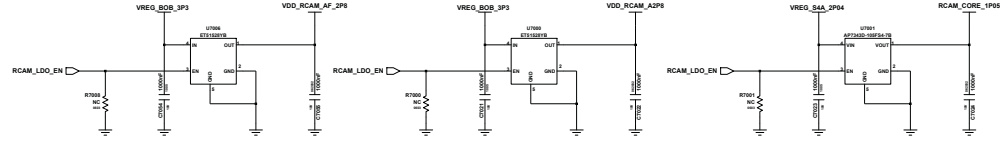
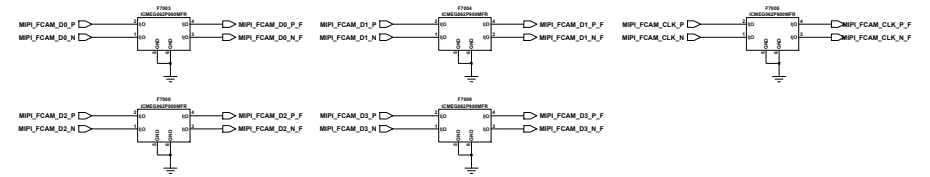
# CAMERA



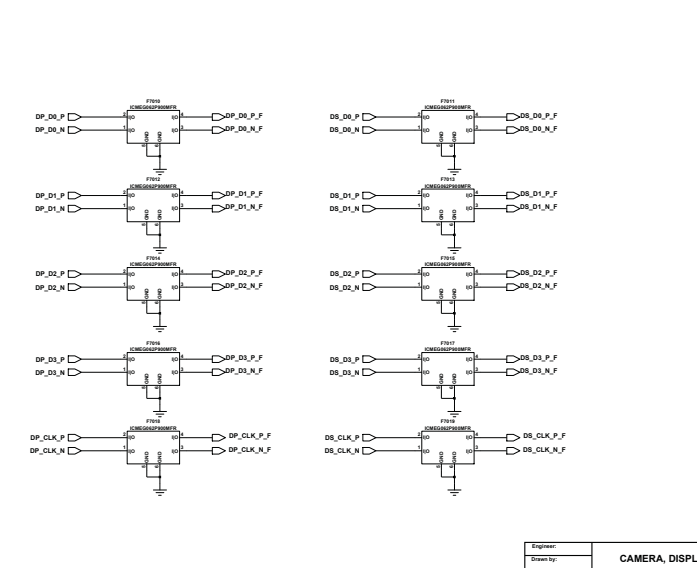
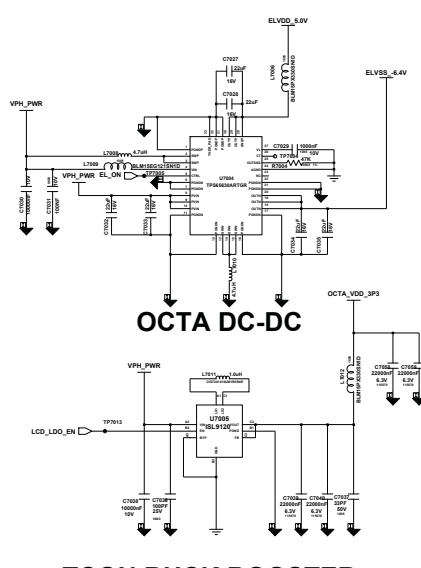
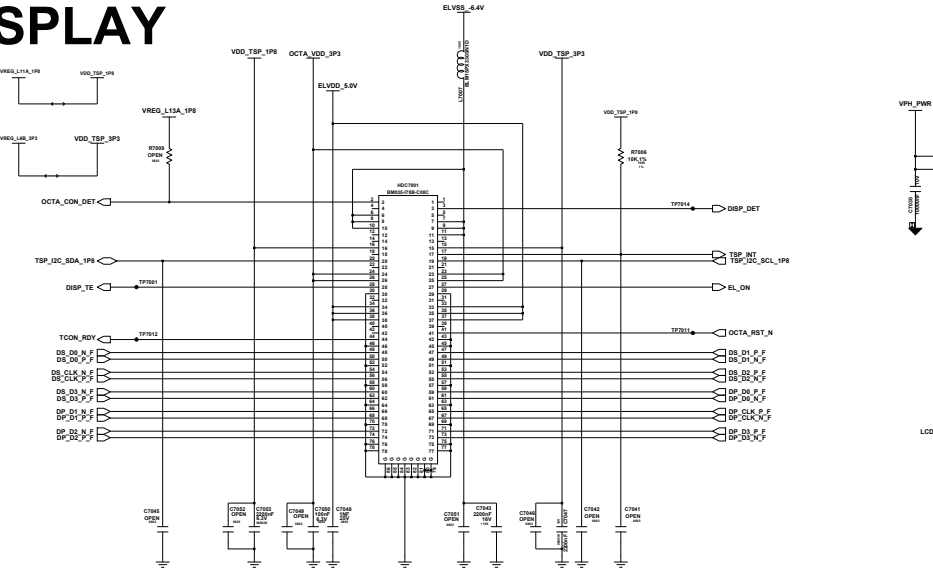
## 13M\_CAM (R\_CAM)



## 8M CAM (F\_CAM)



# DISPLAY

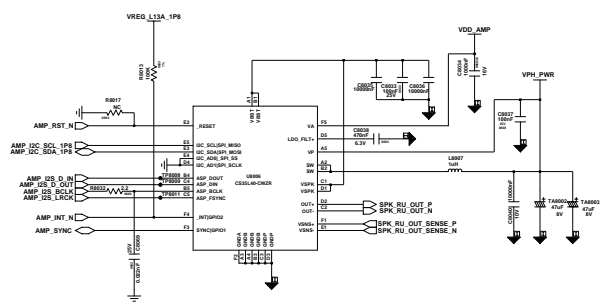
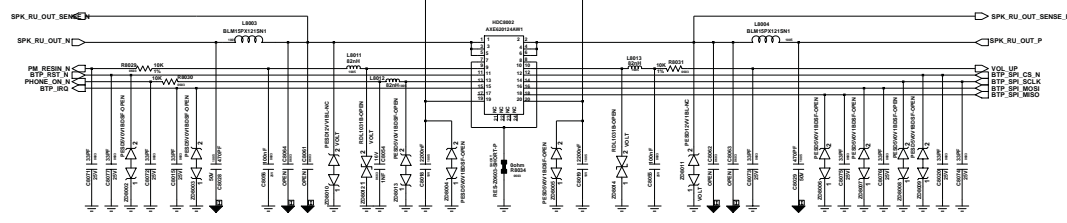
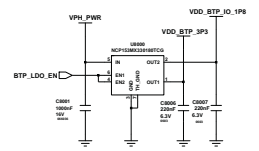
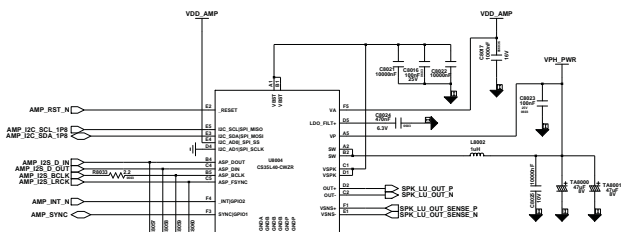
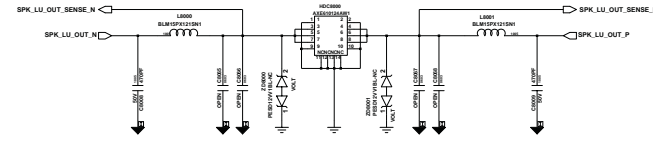
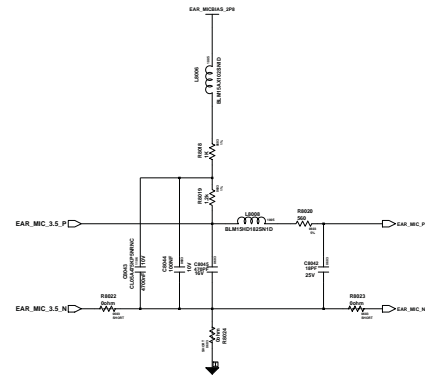
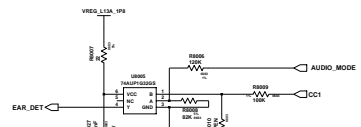
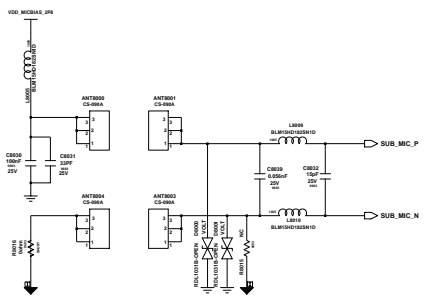
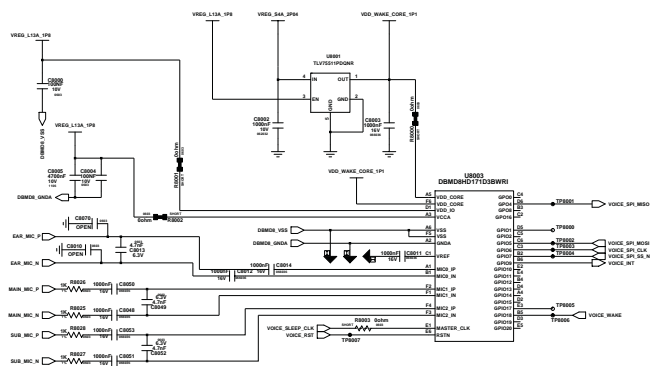


## OCTA Con.

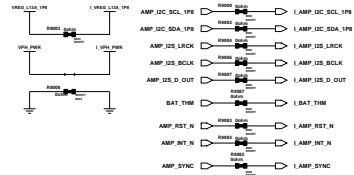
## TCON BUCK BOOSTER



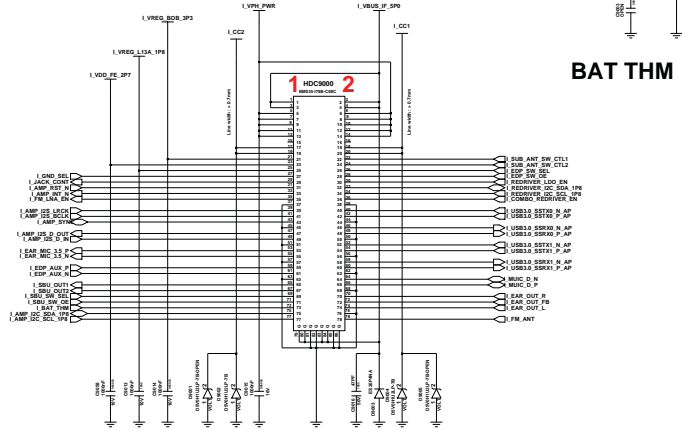
# AUDIO



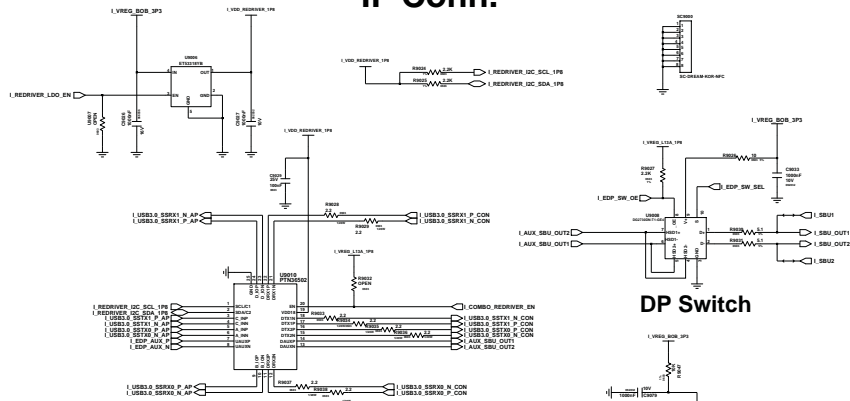
# IF PCB



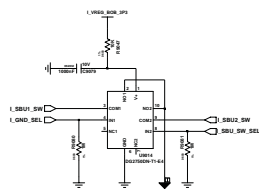
## BAT THM



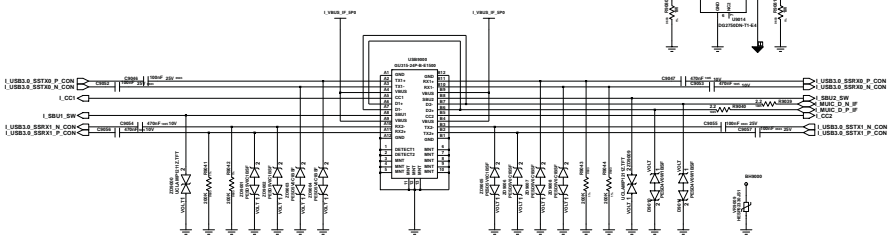
## IF Conn.



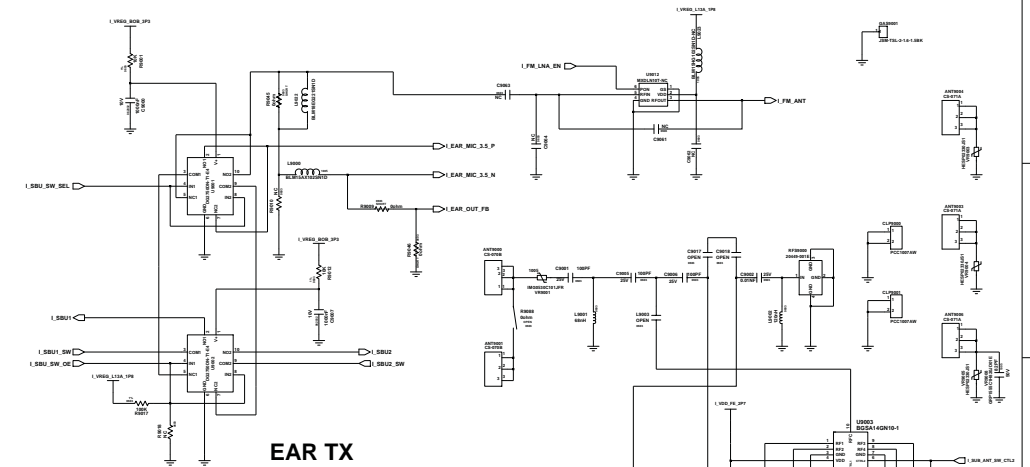
## DP Switch



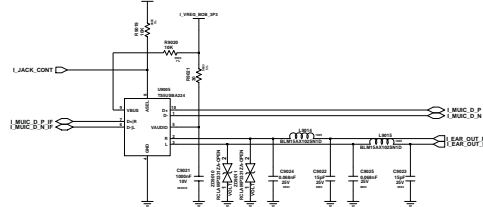
## REDRIVER & DP



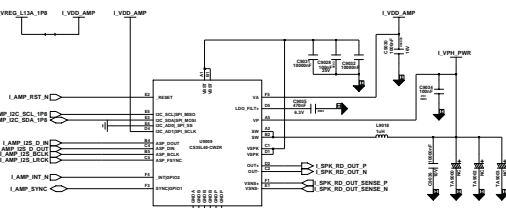
## USB C-TYPE CONN.



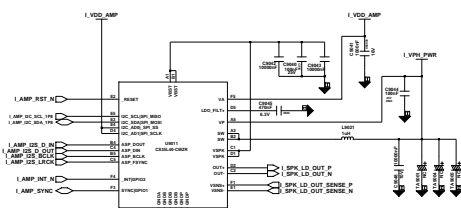
## EAR TX



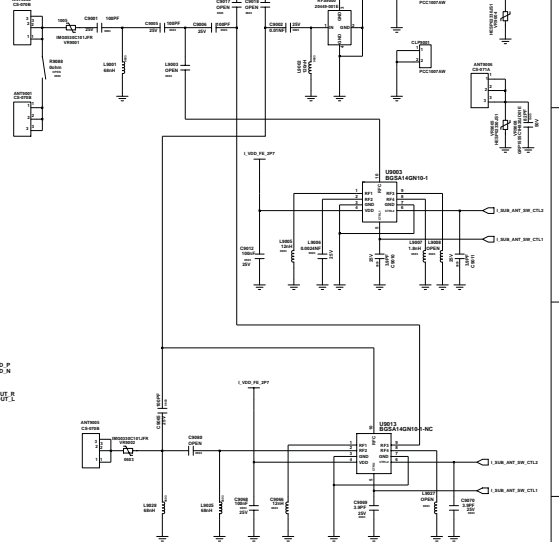
## EAR RX



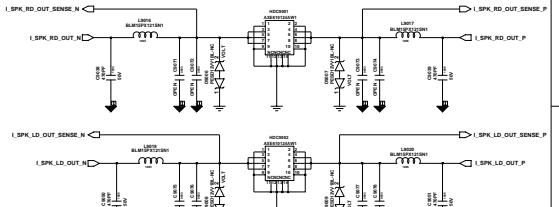
## SPK IV RIGHT DOWN AMP



## SPK IV LEFT DOWN AMP

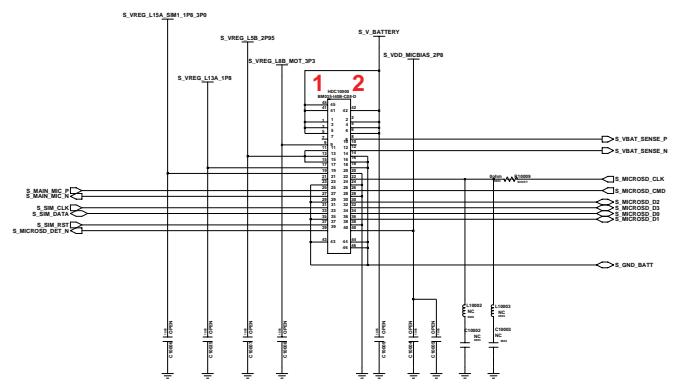


## SUB ANT

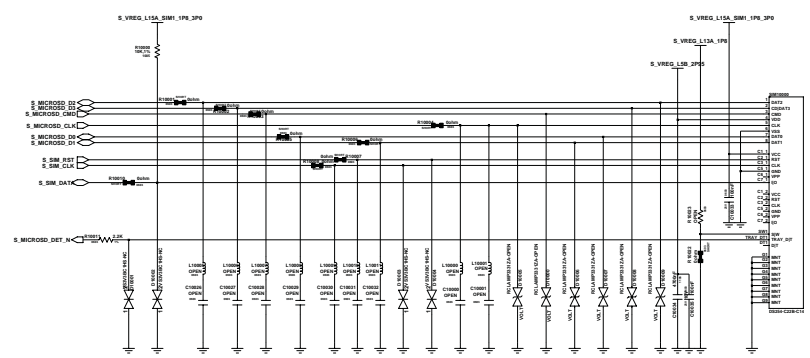


Engineer:	SAMSUNG ELECTRONICS		
Drawn by:			
R&D CHK:	TITLE:	Size:	
DOC CTRL CHK:			
MFG ENGR CHK:			

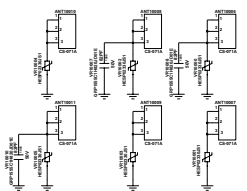
# SIDE PCB



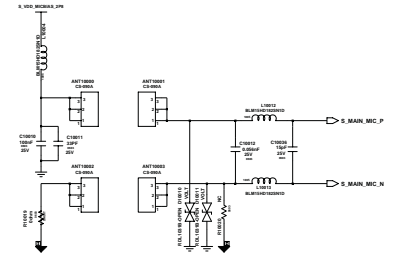
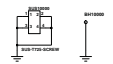
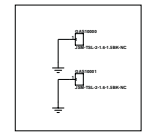
**SIDE CON**



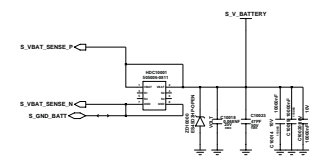
**SIM SD SOCKET**



**MOT**



**MAIN MIC**



**BATTERY CON**