

20180703_SystemPerformanceCheck-D2450V2 SN 939

Frequency: 2450 MHz; Duty Cycle: 1:1; Room Ambient Temperature: 23.0°C; Liquid Temperature: 22.0°C
Medium parameters used: $f = 2450$ MHz; $\sigma = 1.993$ S/m; $\epsilon_r = 53.785$; $\rho = 1000$ kg/m³

DASY5 Configuration:

- Area Scan Setting: Find Secondary Maximum Within: 2.0 dB and with a peak SAR value greater than 0.0012W/kg
- Averaged Fast SAR: Polynomial fit
- Electronics: DAE4 Sn1468; Calibrated: 2017-08-22
- Probe: EX3DV4 - SN7330; ConvF(7.79, 7.79, 7.79); Calibrated: 2018-01-22;
- Sensor-Surface: 2.5mm (Mechanical Surface Detection)
- Phantom: ELI V6.0 (20deg); Type: QD OVA 003 AA; Serial: 2013

Body/Pin=100 mW/Area Scan (8x8x1): Measurement grid: dx=12mm, dy=12mm

Maximum value of SAR (measured) = 5.13 W/kg

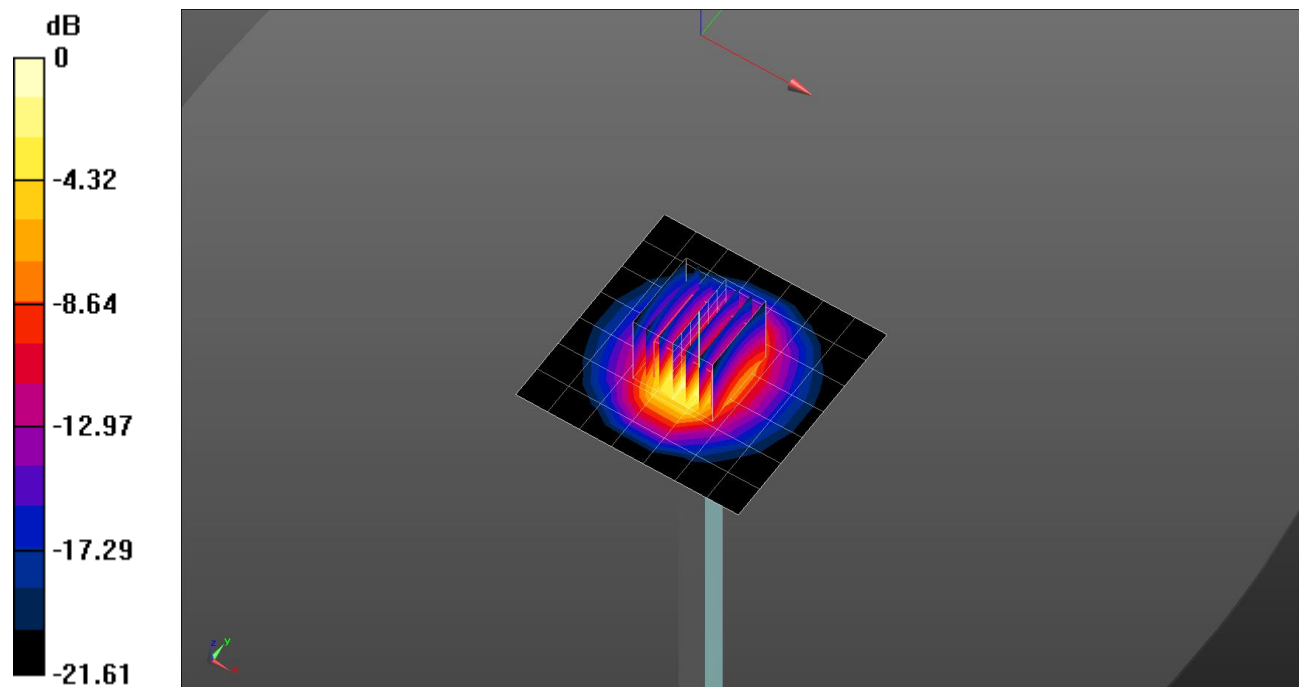
Body/Pin=100 mW/Zoom Scan (7x7x7) (7x7x7)/Cube 0: Measurement grid: dx=5mm, dy=5mm, dz=5mm

Reference Value = 60.36 V/m; Power Drift = -0.10 dB

Peak SAR (extrapolated) = 10.6 W/kg

SAR(1 g) = 5.16 W/kg; SAR(10 g) = 2.37 W/kg

Maximum value of SAR (measured) = 7.33 W/kg

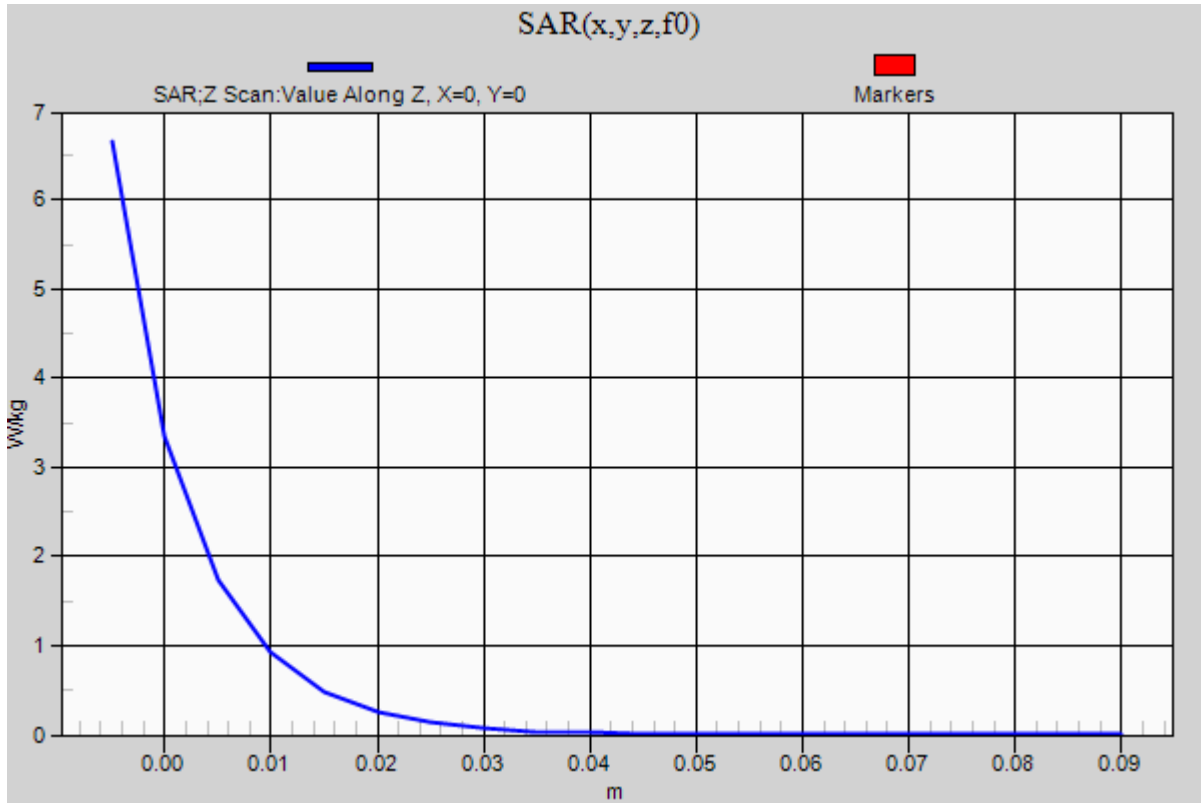


0 dB = 7.33 W/kg = 8.65 dBW/kg

20180703_SystemPerformanceCheck-D2450V2 SN 939

Frequency: 2450 MHz; Duty Cycle: 1:1

Body/Pin=100 mW/Z Scan (1x1x21): Measurement grid: dx=20mm, dy=20mm, dz=5mm
Maximum value of SAR (measured) = 6.66 W/kg



20180702_SystemPerformanceCheck-D835V2 SN 4d194

Frequency: 835 MHz; Duty Cycle: 1:1; Room Ambient Temperature: 23.0°C; Liquid Temperature: 22.0°C
Medium parameters used: $f = 835$ MHz; $\sigma = 1.007$ S/m; $\epsilon_r = 53.715$; $\rho = 1000$ kg/m³

DASY5 Configuration:

- Area Scan Setting: Find Secondary Maximum Within: 2.0 dB and with a peak SAR value greater than 0.0012W/kg
- Averaged Fast SAR: Polynomial fit
- Electronics: DAE4 Sn1447; Calibrated: 2018-03-15
- Probe: EX3DV4 - SN7313; ConvF(9.59, 9.59, 9.59); Calibrated: 2018-02-20;
- Sensor-Surface: 2.5mm (Mechanical Surface Detection)
- Phantom: ELI v6.0; Type: QDOVA003AA; Serial: TP:2005

Body/Pin=100 mW/Area Scan (5x13x1): Measurement grid: dx=15mm, dy=15mm

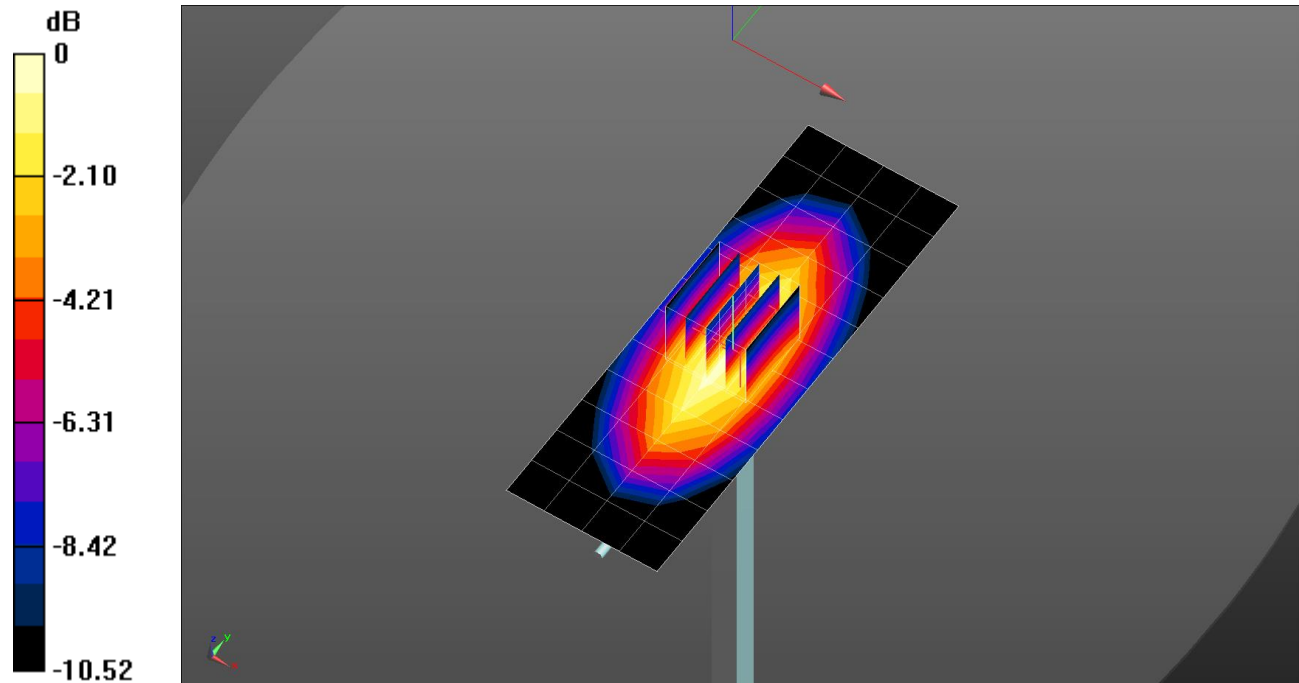
Maximum value of SAR (measured) = 1.21 W/kg

Body/Pin=100 mW/Zoom Scan (5x5x7)/Cube 0: Measurement grid: dx=8mm, dy=8mm, dz=5mm

Reference Value = 35.10 V/m; Power Drift = -0.02 dB

Peak SAR (extrapolated) = 1.49 W/kg

SAR(1 g) = 0.996 W/kg; SAR(10 g) = 0.653 W/kg

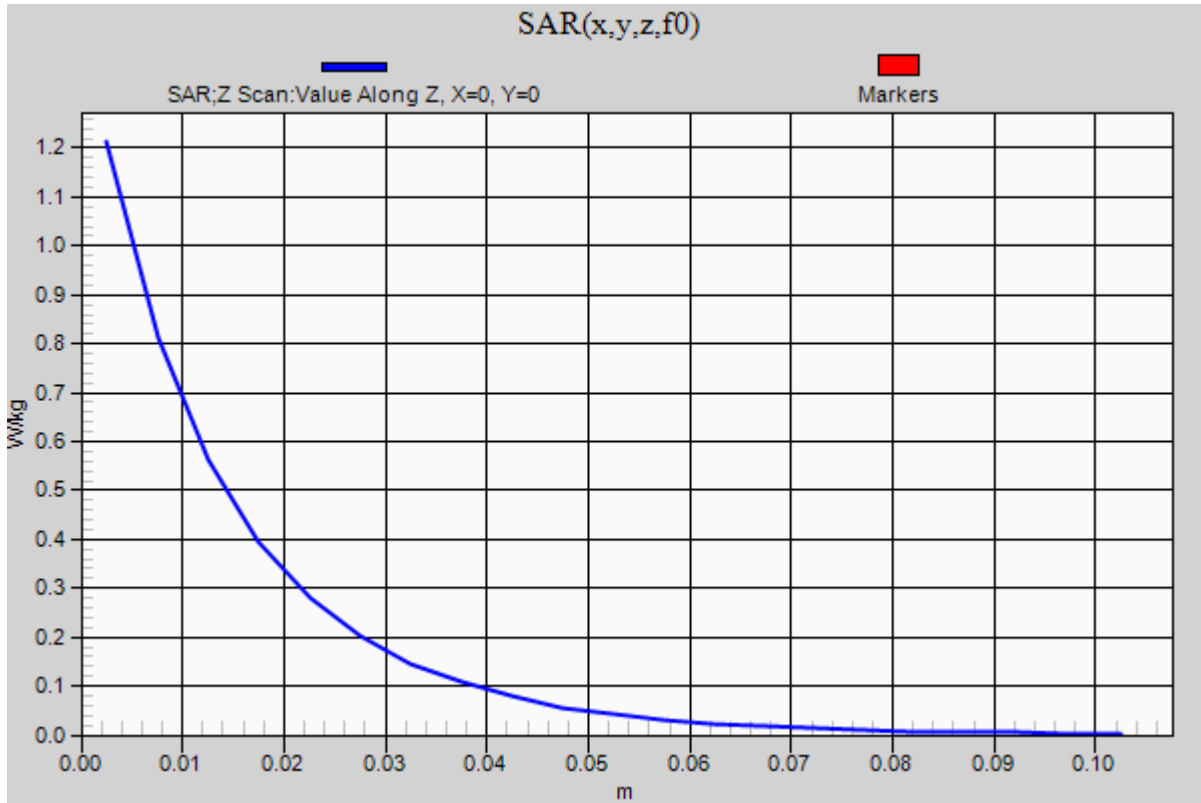


0 dB = 1.21 W/kg = 0.83 dBW/kg

20180702_SystemPerformanceCheck-D835V2 SN 4d194

Frequency: 835 MHz; Duty Cycle: 1:1

Body/Pin=100 mW/Z Scan (1x1x21): Measurement grid: dx=20mm, dy=20mm, dz=5mm
Maximum value of SAR (measured) = 1.21 W/kg



20180704_SystemPerformanceCheck-D1750V2 SN 1125

Frequency: 1750 MHz; Duty Cycle: 1:1; Room Ambient Temperature: 23.0°C; Liquid Temperature: 22.0°C
Medium parameters used: $f = 1750$ MHz; $\sigma = 1.431$ S/m; $\epsilon_r = 53.562$; $\rho = 1000$ kg/m³

DASY5 Configuration:

- Area Scan Setting: Find Secondary Maximum Within: 2.0 dB and with a peak SAR value greater than 0.0012W/kg
- Averaged Fast SAR: Polynomial fit
- Electronics: DAE4 Sn1447; Calibrated: 2018-03-15
- Probe: EX3DV4 - SN7313; ConvF(8.08, 8.08, 8.08); Calibrated: 2018-02-20;
- Sensor-Surface: 2.5mm (Mechanical Surface Detection)
- Phantom: ELI v6.0; Type: QDOVA003AA; Serial: TP:2005

Body/Pin=100 mW/Area Scan (6x9x1): Measurement grid: dx=15mm, dy=15mm

Maximum value of SAR (measured) = 4.84 W/kg

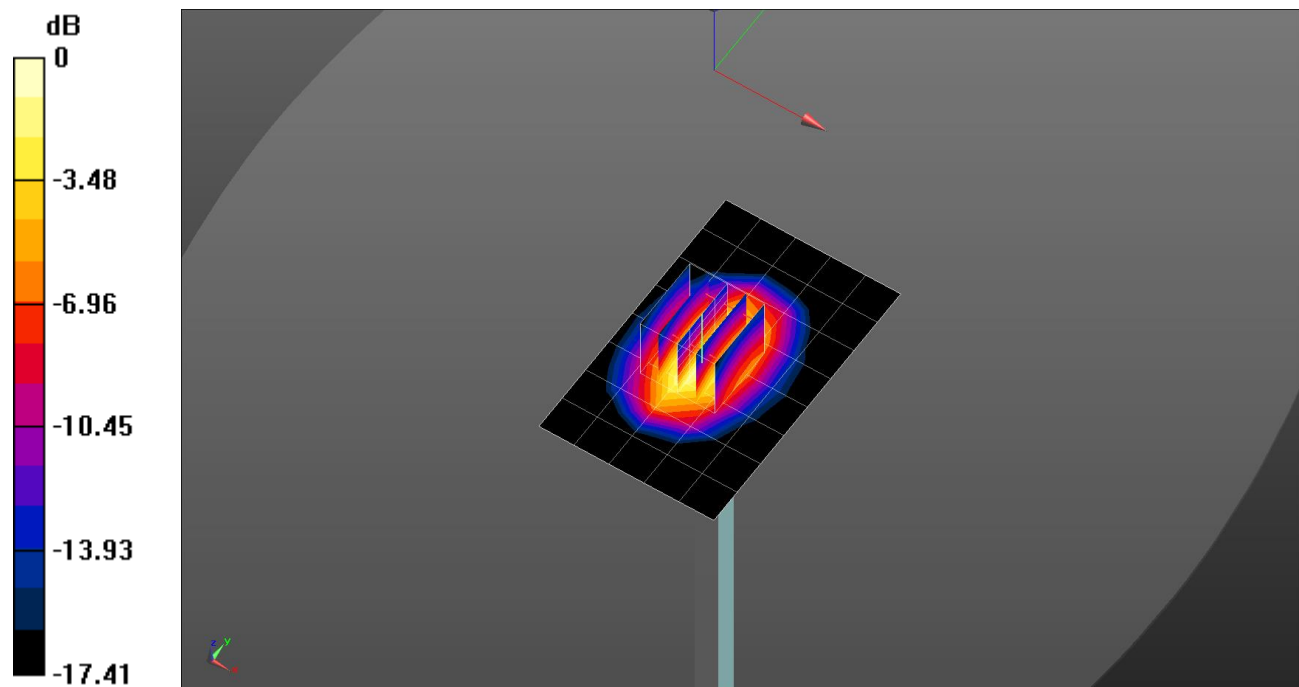
Body/Pin=100 mW/Zoom Scan (5x5x7)/Cube 0: Measurement grid: dx=8mm, dy=8mm, dz=5mm

Reference Value = 60.25 V/m; Power Drift = 0.02 dB

Peak SAR (extrapolated) = 6.92 W/kg

SAR(1 g) = 3.85 W/kg; SAR(10 g) = 2.05 W/kg

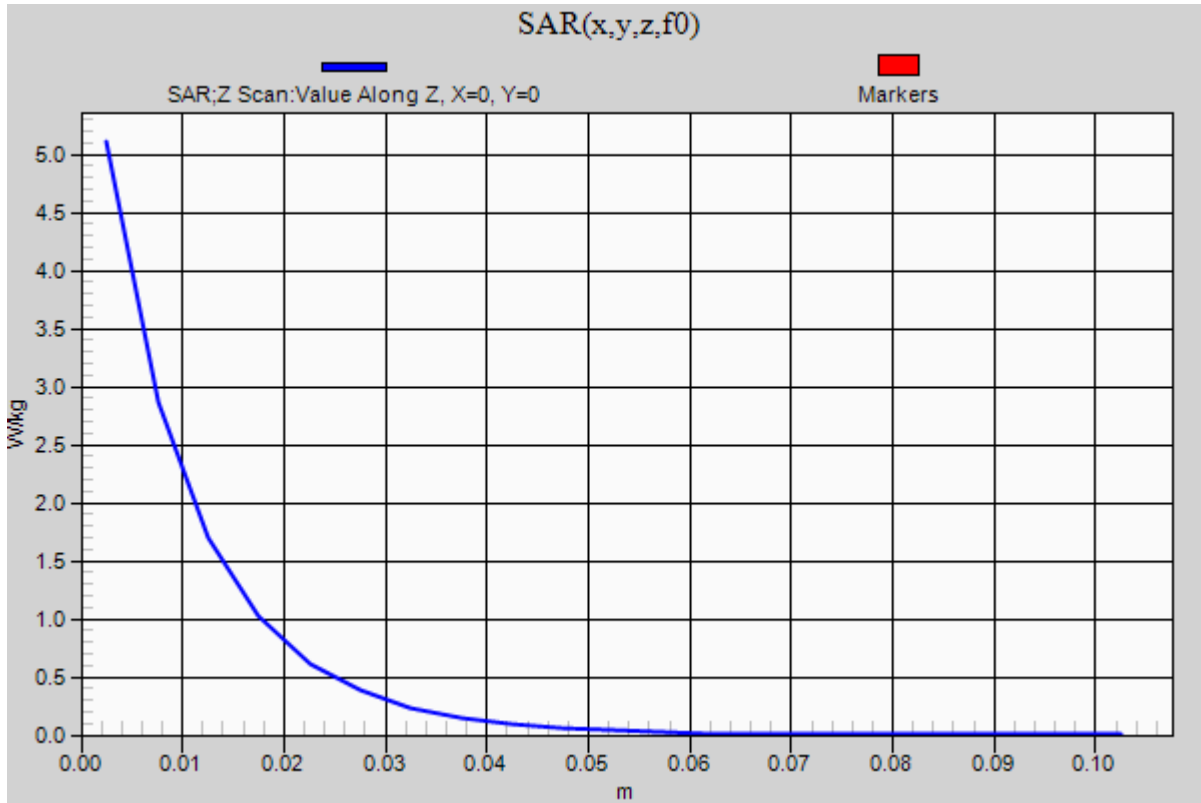
Maximum value of SAR (measured) = 5.10 W/kg



20180704_SystemPerformanceCheck-D1750V2 SN 1125

Frequency: 1750 MHz; Duty Cycle: 1:1

Body/Pin=100 mW/Z Scan (1x1x21): Measurement grid: dx=20mm, dy=20mm, dz=5mm
Maximum value of SAR (measured) = 5.11 W/kg



20180704_SystemPerformanceCheck-D1900V2 SN 5d190

Frequency: 1900 MHz; Duty Cycle: 1:1; Room Ambient Temperature: 23.0°C; Liquid Temperature: 22.0°C
Medium parameters used: $f = 1900$ MHz; $\sigma = 1.569$ S/m; $\epsilon_r = 53.103$; $\rho = 1000$ kg/m³

DASY5 Configuration:

- Area Scan Setting: Find Secondary Maximum Within: 2.0 dB and with a peak SAR value greater than 0.0012W/kg
- Averaged Fast SAR: Polynomial fit
- Electronics: DAE4 Sn1447; Calibrated: 2018-03-15
- Probe: EX3DV4 - SN7313; ConvF(7.71, 7.71, 7.71); Calibrated: 2018-02-20;
- Sensor-Surface: 2.5mm (Mechanical Surface Detection)
- Phantom: ELI v6.0; Type: QDOVA003AA; Serial: TP:2005

Body/Pin=100 mW/Area Scan (6x9x1): Measurement grid: dx=15mm, dy=15mm

Maximum value of SAR (measured) = 4.44 W/kg

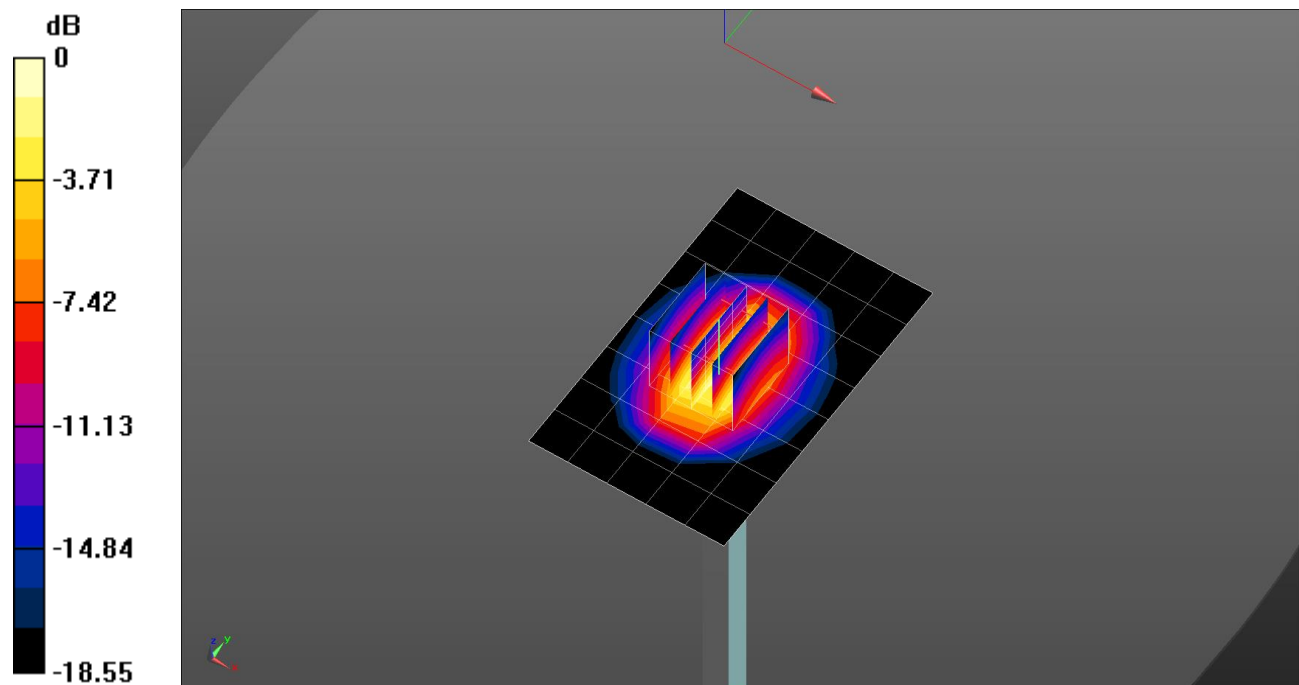
Body/Pin=100 mW/Zoom Scan (5x5x7)/Cube 0: Measurement grid: dx=8mm, dy=8mm, dz=5mm

Reference Value = 61.48 V/m; Power Drift = -0.07 dB

Peak SAR (extrapolated) = 8.07 W/kg

SAR(1 g) = 4.34 W/kg; SAR(10 g) = 2.24 W/kg

Maximum value of SAR (measured) = 5.80 W/kg

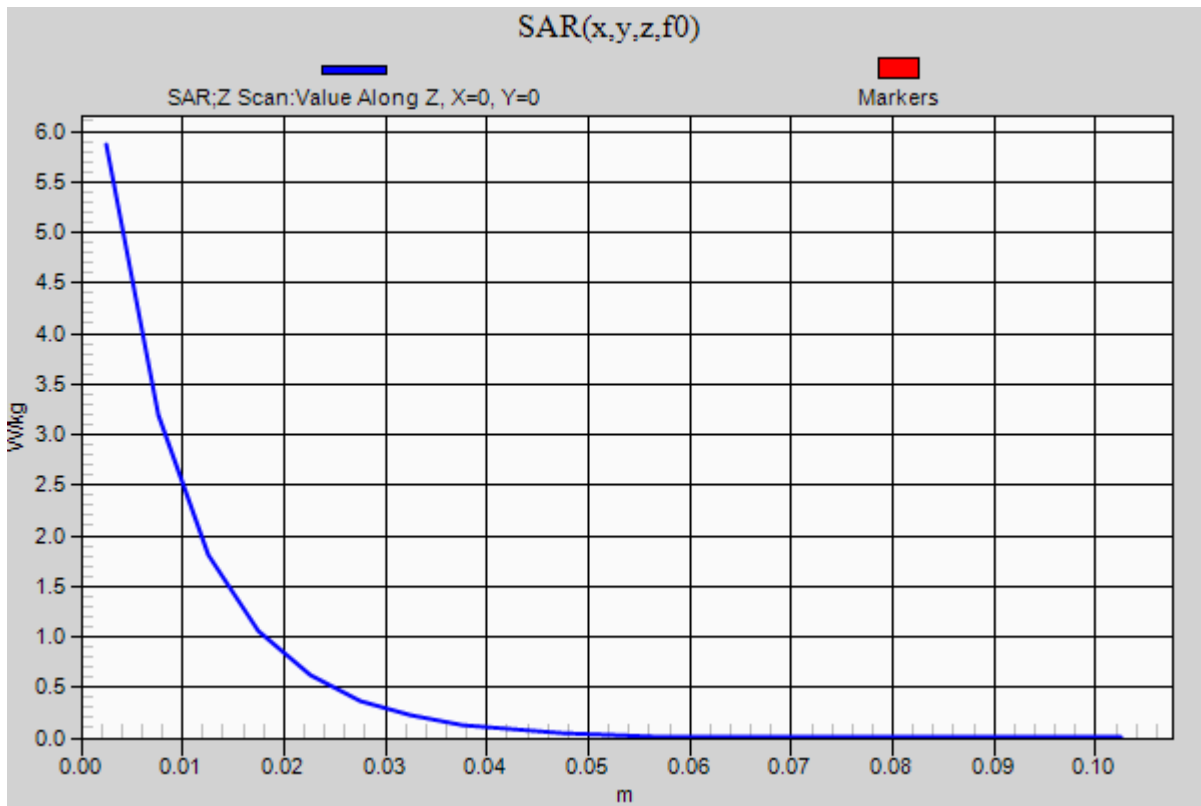


0 dB = 5.80 W/kg = 7.63 dBW/kg

20180704_SystemPerformanceCheck-D1900V2 SN 5d190

Frequency: 1900 MHz; Duty Cycle: 1:1

Body/Pin=100 mW/Z Scan (1x1x21): Measurement grid: dx=20mm, dy=20mm, dz=5mm
Maximum value of SAR (measured) = 5.87 W/kg



20180705_SystemPerformanceCheck-D5GHzV2 SN 1209

Frequency: 5600 MHz; Duty Cycle: 1:1; Room Ambient Temperature: 23.0°C; Liquid Temperature: 22.0°C
Medium parameters used: $f = 5600$ MHz; $\sigma = 5.898$ S/m; $\epsilon_r = 47.515$; $\rho = 1000$ kg/m³

DASY5 Configuration:

- Area Scan Setting: Find Secondary Maximum Within: 2.0 dB and with a peak SAR value greater than 0.0012W/kg
- Averaged Fast SAR: Polynomial fit
- Electronics: DAE4 Sn1494; Calibrated: 2017-07-20
- Probe: EX3DV4 - SN7314; ConvF(4.08, 4.08, 4.08); Calibrated: 2017-09-28;
- Sensor-Surface: 1.4mm (Mechanical Surface Detection)
- Phantom: ELI v6.0; Type: QDOVA003AA; Serial: TP:2005

Body/5.6 GHz, Pin=100mW/Area Scan (7x7x1): Measurement grid: dx=10mm, dy=10mm

Maximum value of SAR (measured) = 22.2 W/kg

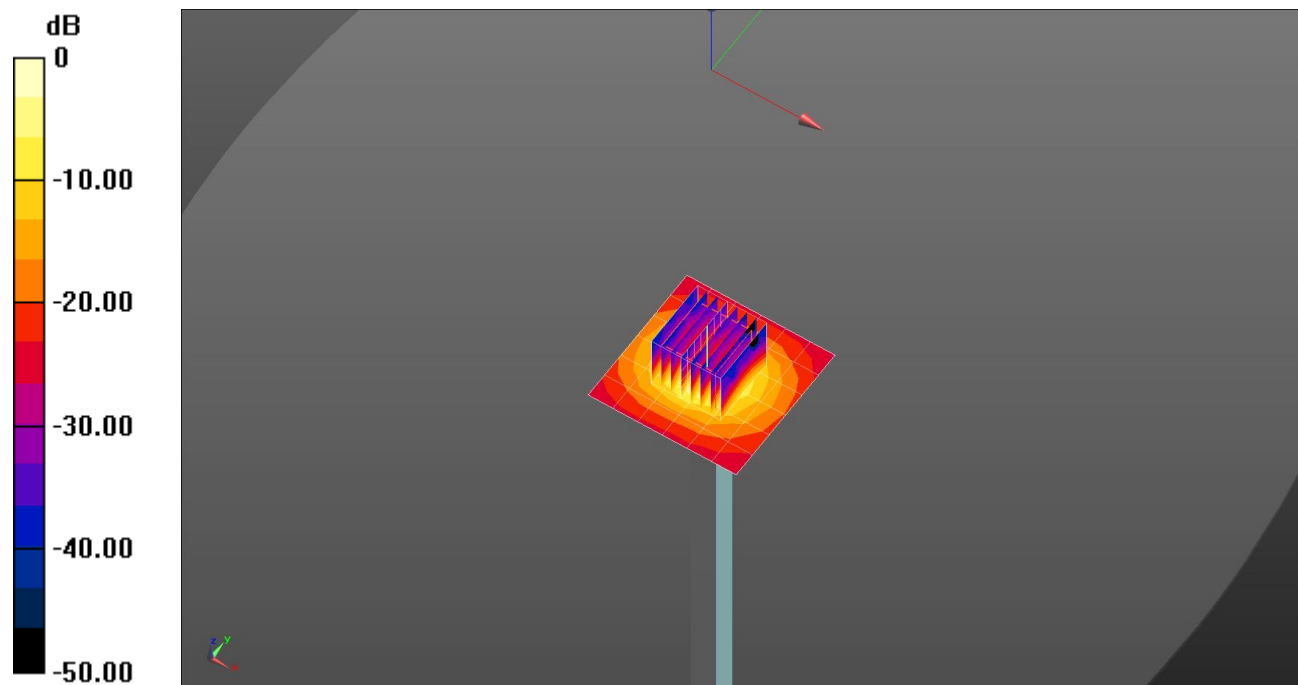
Body/5.6 GHz, Pin=100mW/Zoom Scan (8x8x7)/Cube 0: Measurement grid: dx=4mm, dy=4mm, dz=1.4mm

Reference Value = 69.30 V/m; Power Drift = 0.11 dB

Peak SAR (extrapolated) = 40.2 W/kg

SAR(1 g) = 8.56 W/kg; SAR(10 g) = 2.35 W/kg

Maximum value of SAR (measured) = 21.6 W/kg

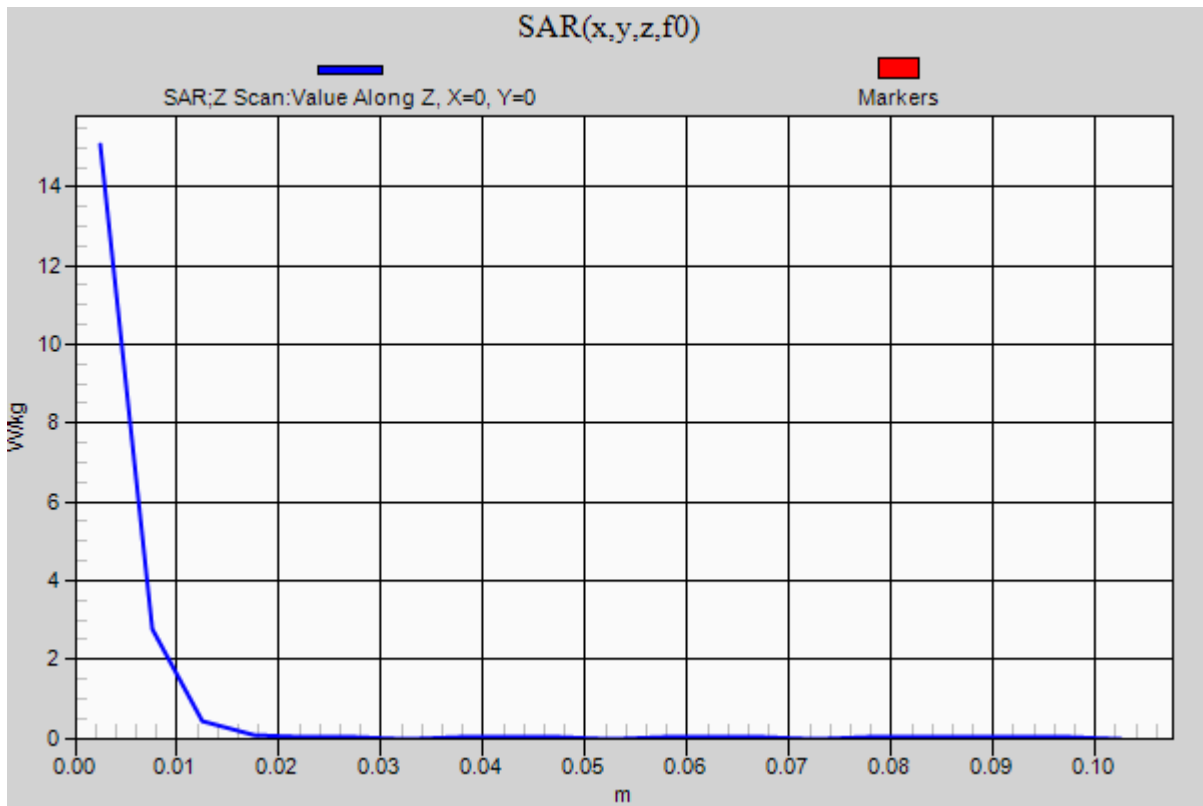


0 dB = 21.6 W/kg = 13.34 dBW/kg

20180705_SystemPerformanceCheck-D5GHzV2 SN 1209

Frequency: 5600 MHz; Duty Cycle: 1:1

Body/5.6 GHz, Pin=100mW/Z Scan (1x1x21): Measurement grid: dx=20mm, dy=20mm, dz=5mm
Maximum value of SAR (measured) = 15.1 W/kg



20180706_SystemPerformanceCheck-D2600V2 SN 1097

Frequency: 2600 MHz; Duty Cycle: 1:1; Room Ambient Temperature: 23.0°C; Liquid Temperature: 22.0°C
 Medium parameters used: $f = 2600 \text{ MHz}$; $\sigma = 2.107 \text{ S/m}$; $\epsilon_r = 50.804$; $\rho = 1000 \text{ kg/m}^3$

DASY5 Configuration:

- Area Scan Setting: Find Secondary Maximum Within: 2.0 dB and with a peak SAR value greater than 0.0012W/kg
- Averaged Fast SAR: Polynomial fit
- Electronics: DAE4 Sn1494; Calibrated: 2017-07-20
- Probe: EX3DV4 - SN7314; ConvF(7.44, 7.44, 7.44); Calibrated: 2017-09-28;
- Sensor-Surface: 2.5mm (Mechanical Surface Detection)
- Phantom: ELI v6.0; Type: QDOVA003AA; Serial: TP:2005

Body/Pin=100 mW/Area Scan (8x8x1): Measurement grid: dx=12mm, dy=12mm

Maximum value of SAR (measured) = 6.53 W/kg

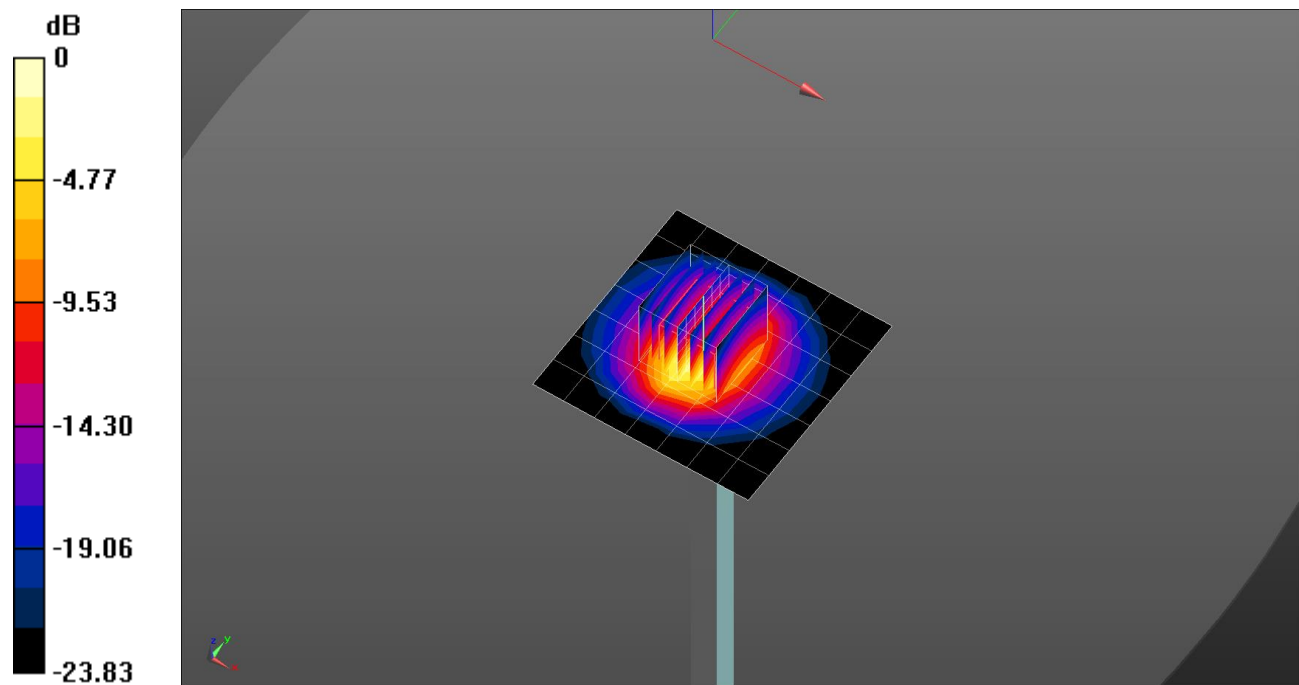
Body/Pin=100 mW/Zoom Scan (7x7x7)/Cube 0: Measurement grid: dx=5mm, dy=5mm, dz=5mm

Reference Value = 59.35 V/m; Power Drift = 0.15 dB

Peak SAR (extrapolated) = 11.6 W/kg

SAR(1 g) = 5.41 W/kg; SAR(10 g) = 2.37 W/kg

Maximum value of SAR (measured) = 7.89 W/kg

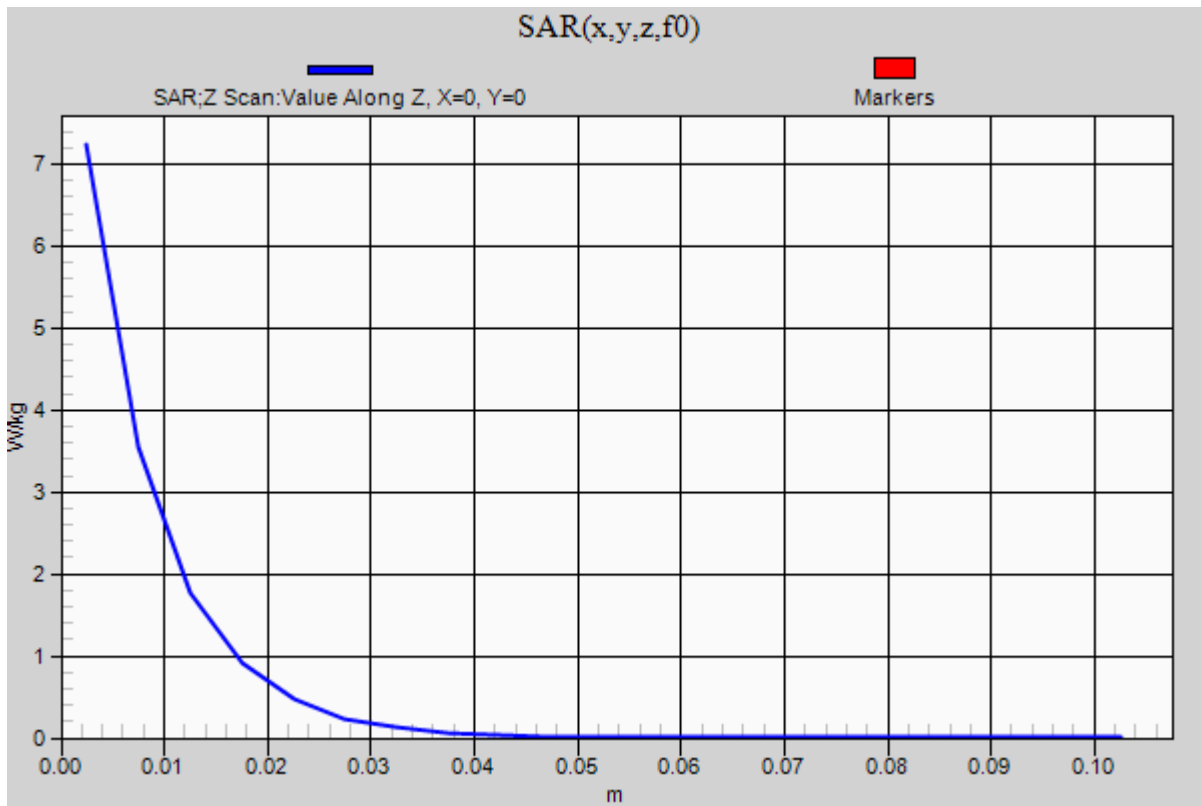


0 dB = 7.89 W/kg = 8.97 dBW/kg

20180706_SystemPerformanceCheck-D2600V2 SN 1097

Frequency: 2600 MHz; Duty Cycle: 1:1

Body/Pin=100 mW/Z Scan (1x1x21): Measurement grid: dx=20mm, dy=20mm, dz=5mm
Maximum value of SAR (measured) = 7.24 W/kg



20180719_SystemPerformanceCheck-D750V3 SN 1122

Frequency: 750 MHz; Duty Cycle: 1:1; Room Ambient Temperature: 23.0°C; Liquid Temperature: 22.0°C
Medium parameters used: $f = 750$ MHz; $\sigma = 0.98$ S/m; $\epsilon_r = 57.144$; $\rho = 1000$ kg/m³

DASY5 Configuration:

- Area Scan Setting: Find Secondary Maximum Within: 2.0 dB and with a peak SAR value greater than 0.0012W/kg
- Averaged Fast SAR: Polynomial fit
- Electronics: DAE4 Sn614; Calibrated: 2018-06-22
- Probe: EX3DV4 - SN7314; ConvF(10.3, 10.3, 10.3); Calibrated: 2017-09-28;
- Sensor-Surface: 2.5mm (Mechanical Surface Detection)
- Phantom: ELI v6.0; Type: QDOVA003AA; Serial: TP:2005

Body/Pin=100 mW/Area Scan (7x14x1): Measurement grid: dx=15mm, dy=15mm

Maximum value of SAR (measured) = 1.06 W/kg

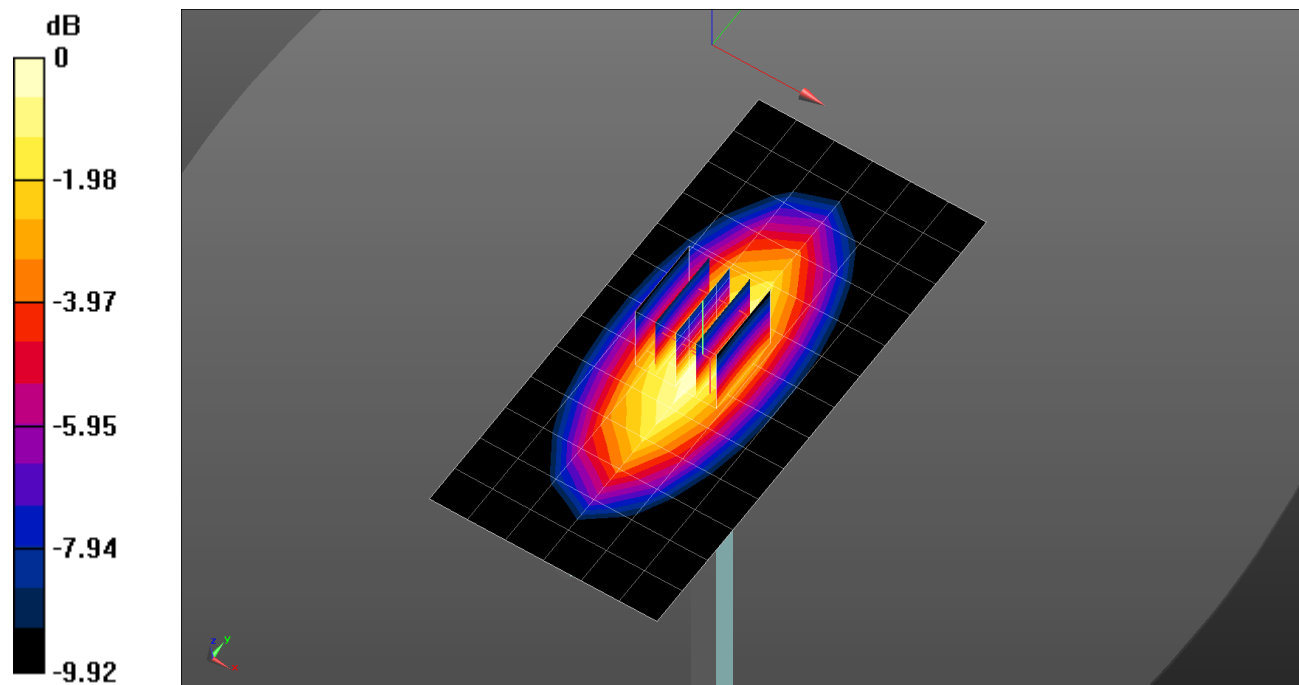
Body/Pin=100 mW/Zoom Scan (5x5x7)/Cube 0: Measurement grid: dx=8mm, dy=8mm, dz=5mm

Reference Value = 33.45 V/m; Power Drift = -0.02 dB

Peak SAR (extrapolated) = 1.33 W/kg

SAR(1 g) = 0.901 W/kg; SAR(10 g) = 0.600 W/kg

Maximum value of SAR (measured) = 1.09 W/kg



0 dB = 1.09 W/kg = 0.37 dBW/kg

20180719_SystemPerformanceCheck-D750V3 SN 1122

Frequency: 750 MHz; Duty Cycle: 1:1

Body/Pin=100 mW/Z Scan (1x1x21): Measurement grid: dx=20mm, dy=20mm, dz=5mm
Maximum value of SAR (measured) = 1.06 W/kg

