

# Description of E-label

July. 24. 2019

FCC ID : A3LSMR825

IC: 649E-SMR825

This model is applied E-label, please find description of E-label below.

1. **FCC/ IC ID(E-label)** : [Settings](#) > [About watch](#) > [Device](#)

FCC and ISED Certification

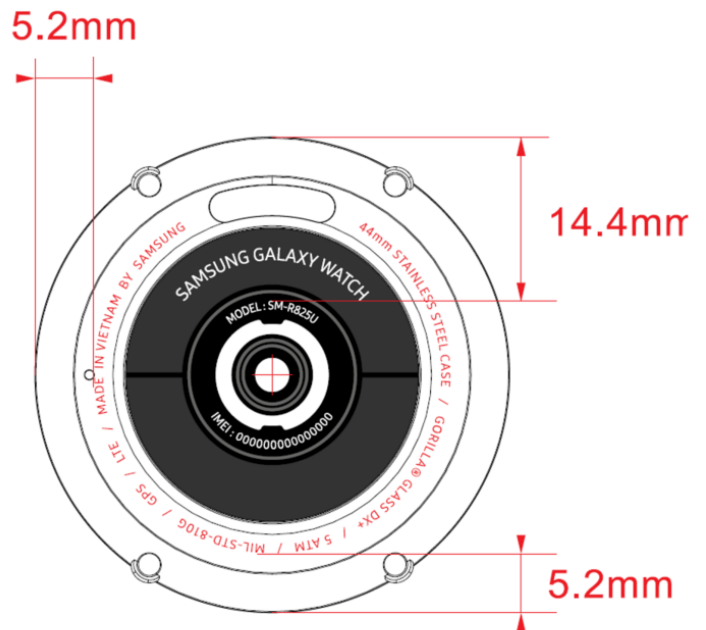
FCC ID: A3LSMR825

IC: 649E-SMR825

<Device Display Screen>



<Device Rear Cover>



44mm SUS LTE

2. Instruction of E-label on the User manual

Depending on the region or model, some devices are required to receive approval from Innovation, Science and Economic Development Canada (ISED)/the Federal Communications Commission (FCC). If your device is approved by the ISED/FCC, you can view the ISED/FCC ID of the device. To view the ISED/FCC ID, launch the

[Settings](#) app and tap [About watch](#) → [Device](#). This device has FCC ID: A3LSMR825, IC: 649E-SMR825

The specific SAR levels for approved Samsung devices can be found at the following FCC/ ISED website: <https://www.fcc.gov/oet/ea/>

<https://www.fcc.gov/oet/ea/>

They can also be found on Samsung's website: [www.samsung.com/sar](http://www.samsung.com/sar)