

May 17, 2016

Federal Communications
Commission Authorization and
Evaluation Division 7435 Oakland
Mills Road, Columbia, MD 21046

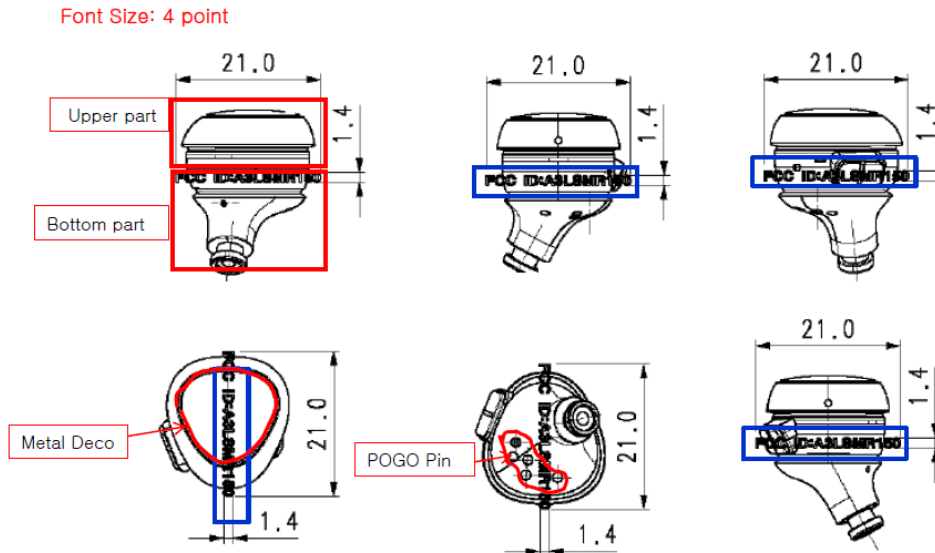
ATTESTATION LETTER FOR LABEL LOCATION
FCC ID: A3LSMR150L
A3LSMR150R

To Whom It May Concern:

We, Samsung Electronics Co., Ltd., declare justification to place FCC Identifier in the user manual to pursuant to KDB 784748 D01 Labelling Part 15 &18 Guidelines v08.

784748 D01 Labelling Part 15 &18 Guidelines v08

If the device is unquestionably too small for the FCC ID to be readable (smaller than 4-6 points), the FCC ID may be placed in the user manual. However, it must be determined that the device itself is too small – the label area allocated to the FCC ID may not be reduced because of over crowded identification of other product and regulatory information. Justification for placing the FCC ID in the manual must be submitted with the initial application for certification for review and approval.



1. Metal Deco Line Issue
It is difficult due to the deco Line to apply FCC ID.
 2. Mechanical Part Issue
 - Mechanical Part is composed of the upper and bottom.
 - FCC ID is difficult due to the line combined to a bonding.
- ※ There is no space to be marked on a SM-R150.
Customer can confirm FCC ID in the manual and package box.

Sincerely Yours,



Chan Ho, Youn / General Manager
Samsung Electronics North America INC.
TEL: +1-973-808-6362
E-mail: jjano.youn@samsung.com