

July 19, 2017

Federal Communications  
Commission Authorization and  
Evaluation Division 7435 Oakland  
Mills Road, Columbia, MD 21046

**ATTESTATION LETTER FOR LABEL LOCATION**  
**FCC ID: A3LSMR140L**  
**A3LSMR140R**

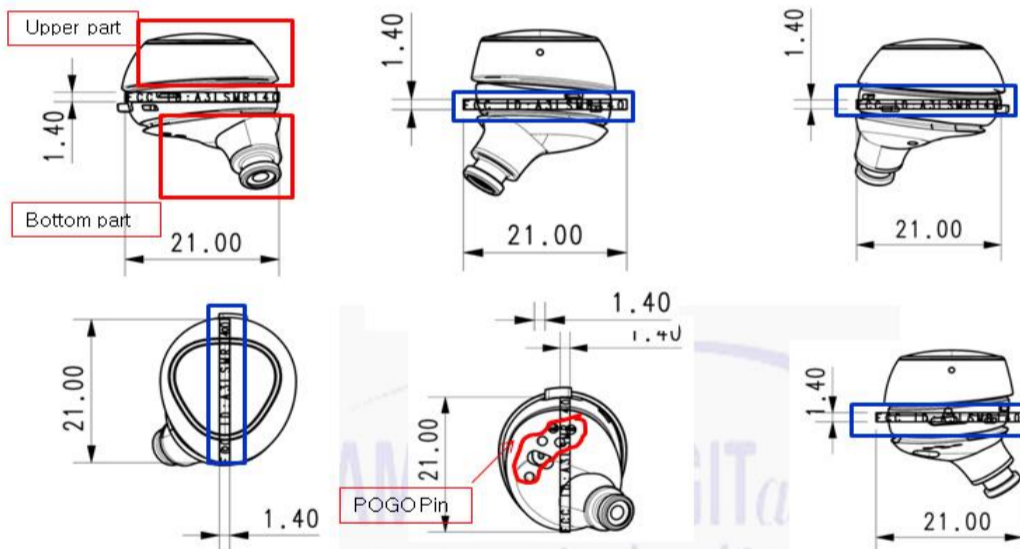
To Whom It May Concern:

We, Samsung Electronics Co., Ltd., declare justification to place FCC Identifier in the user manual to pursuant to KDB 784748 D01 Labelling Part 15 &18 Guidelines v08.

*784748 D01 Labelling Part 15 &18 Guidelines v08*

*If the device is unquestionably too small for the FCC ID to be readable (smaller than 4-6 points), the FCC ID may be placed in the user manual. However, it must be determined that the device itself is too small – the label area allocated to the FCC ID may not be reduced because of over crowded identification of other product and regulatory information. Justification for placing the FCC ID in the manual must be submitted with the initial application for certification for review and approval.*

Font Size : 1.2 pt



1. Top Deco Line Issue  
It is difficult due to the deco Line to apply FCC ID.

2. Mechanical Part Issue  
- Mechanical Part is composed of the upper and bottom.  
- FCC ID is difficult due to the line combined  
- It is difficult to apply FCC ID because of POGO pin

\* There is no space to be marked on a SM-R140.  
Customer can confirm FCC ID in the manual and package box.

Sincerely Yours,



Chan Ho, Youn / General Manager  
Samsung Electronics North America INC.  
TEL: +1-973-808-6362  
E-mail: jjano.youn@samsung.com