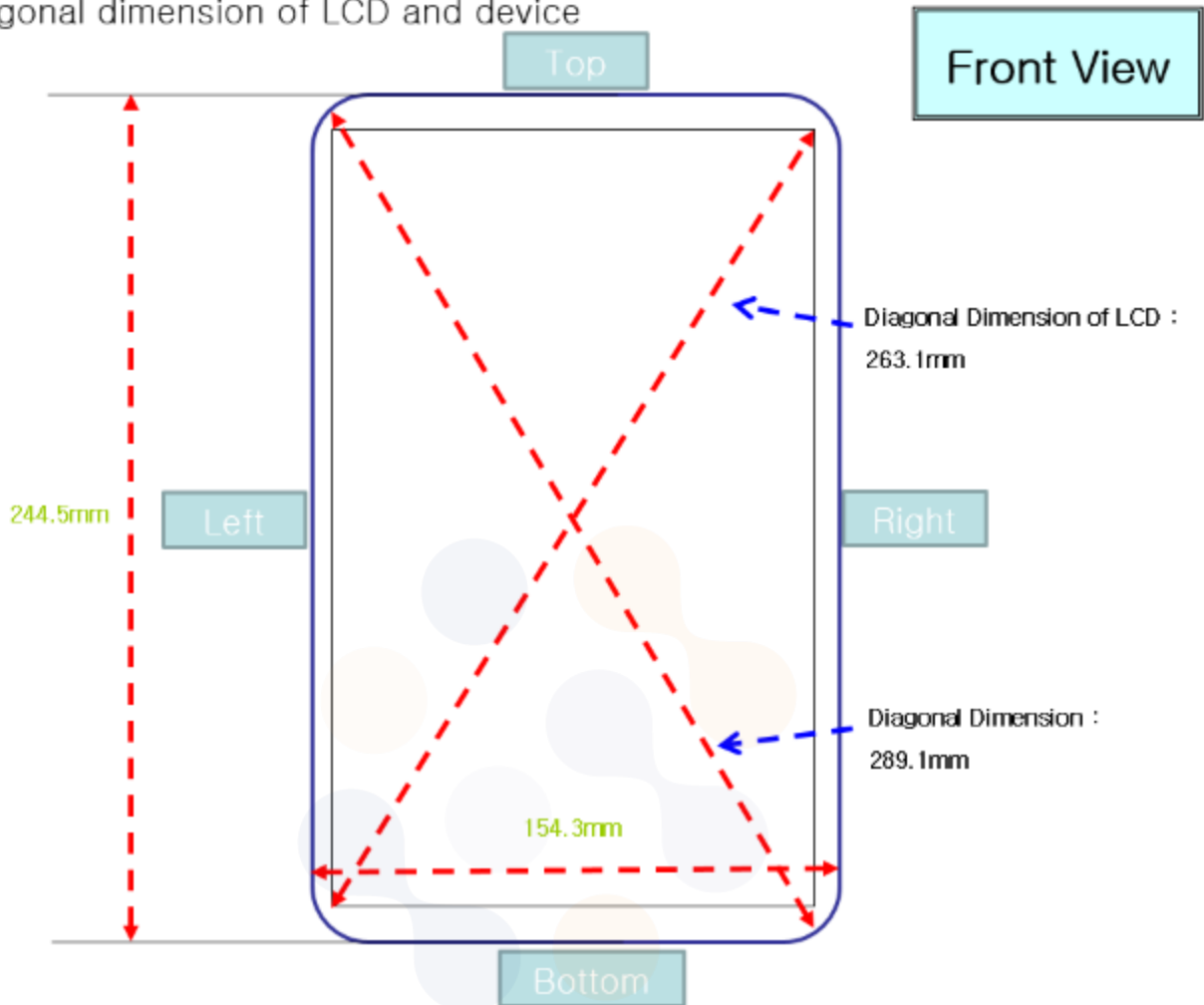
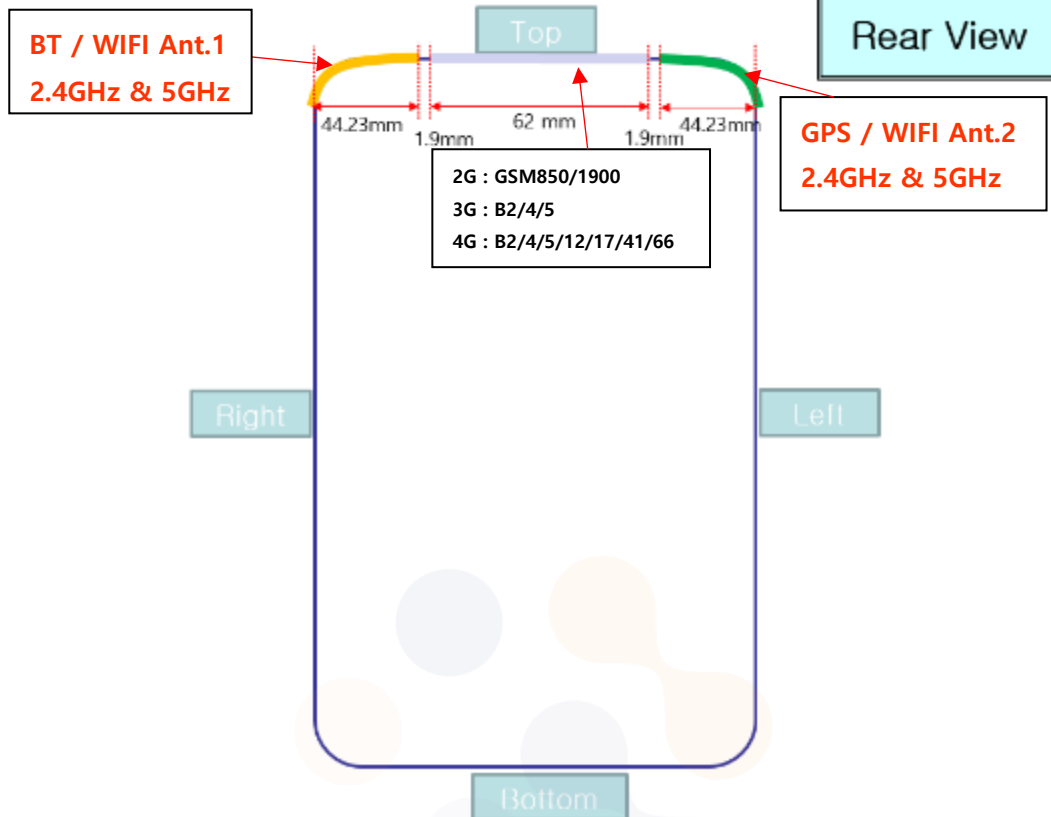


**Appendix F. #Antenna Location & Distance**

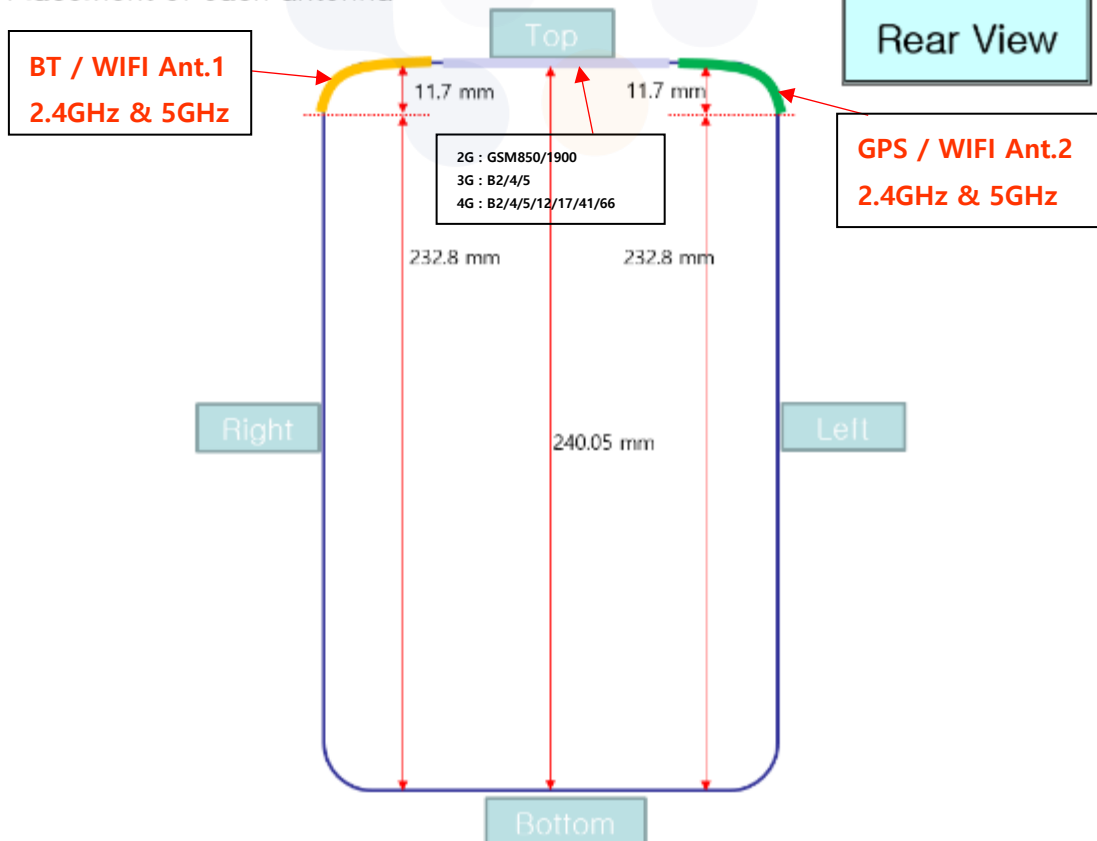
\* Diagonal dimension of LCD and device



\* Placement of each antenna



\* Placement of each antenna



# KCTL Inc.

65, Sinwon-ro, Yeongtong-gu,  
Suwon-si, Gyeonggi-do, 16677, Korea  
TEL: 82-31-285-0894 FAX: 82-505-299-8311  
[www.kctl.co.kr](http://www.kctl.co.kr)

Report No.:  
KR22-SPF0015-B  
Page (327) of (337)



## Appendix G. EUT Photo

G.1) Front



G.2) Rear



**KCTL Inc.**

65, Sinwon-ro, Yeongtong-gu,  
Suwon-si, Gyeonggi-do, 16677, Korea  
TEL: 82-31-285-0894 FAX: 82-505-299-8311  
[www.kctl.co.kr](http://www.kctl.co.kr)

Report No.:  
KR22-SPF0015-B  
Page (328) of (337)

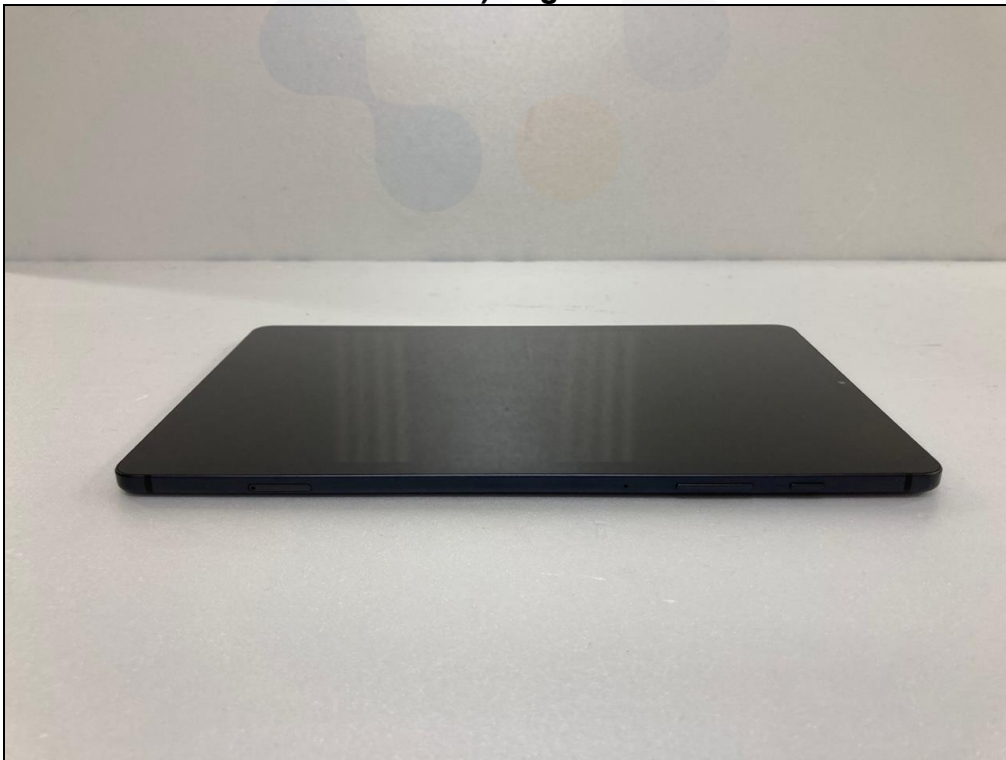


KCTL

**G.3) Left**



**G.4) Right**



**KCTL Inc.**

65, Sinwon-ro, Yeongtong-gu,  
Suwon-si, Gyeonggi-do, 16677, Korea  
TEL: 82-31-285-0894 FAX: 82-505-299-8311  
[www.kctl.co.kr](http://www.kctl.co.kr)

Report No.:  
KR22-SPF0015-B  
Page (329) of (337)



KCTL

**G.5) Top**



**G.6) Bottom**



## KCTL Inc.

65, Sinwon-ro, Yeongtong-gu,  
Suwon-si, Gyeonggi-do, 16677, Korea  
TEL: 82-31-285-0894 FAX: 82-505-299-8311  
[www.kctl.co.kr](http://www.kctl.co.kr)

Report No.:  
KR22-SPF0015-B  
Page (330) of (337)



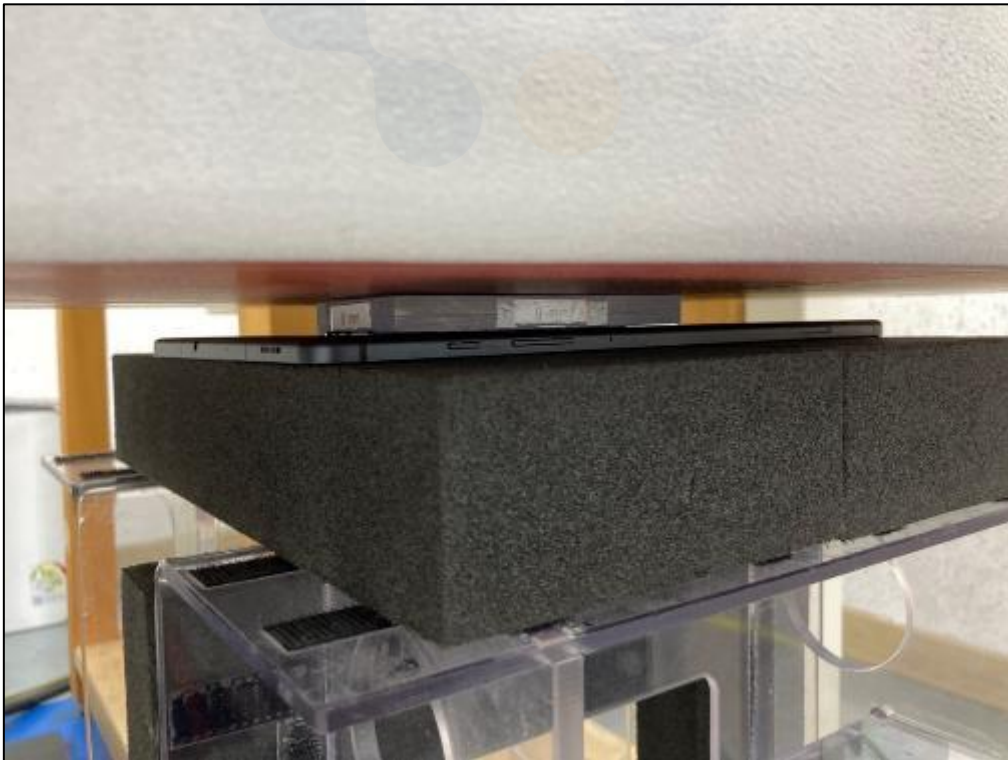
KCTL

## Appendix H. Test Setup Photo

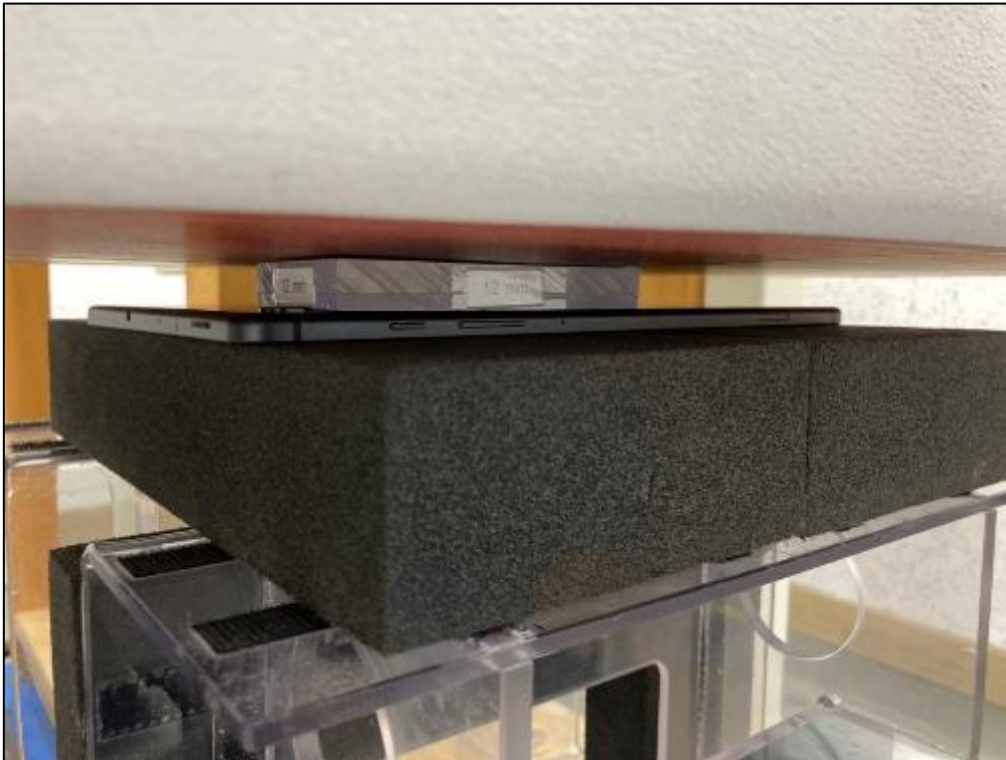
### H.1) Body\_Rear (0mm)



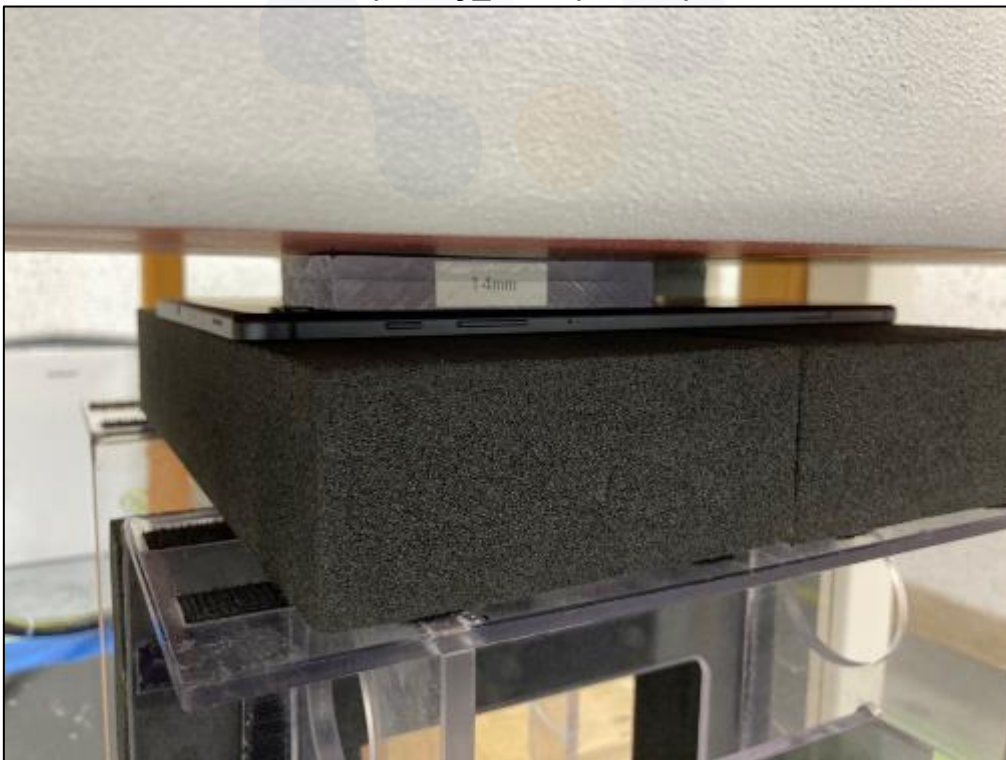
### H.2) Body\_Rear (9mm)



**H.3) Body\_Rear (12 mm)**



**H.4) Body\_Rear (14 mm)**



**KCTL Inc.**

65, Sinwon-ro, Yeongtong-gu,  
Suwon-si, Gyeonggi-do, 16677, Korea  
TEL: 82-31-285-0894 FAX: 82-505-299-8311  
[www.kctl.co.kr](http://www.kctl.co.kr)

Report No.:  
KR22-SPF0015-B  
Page (332) of (337)



KCTL

**H.5) Body\_Left (0 mm)**

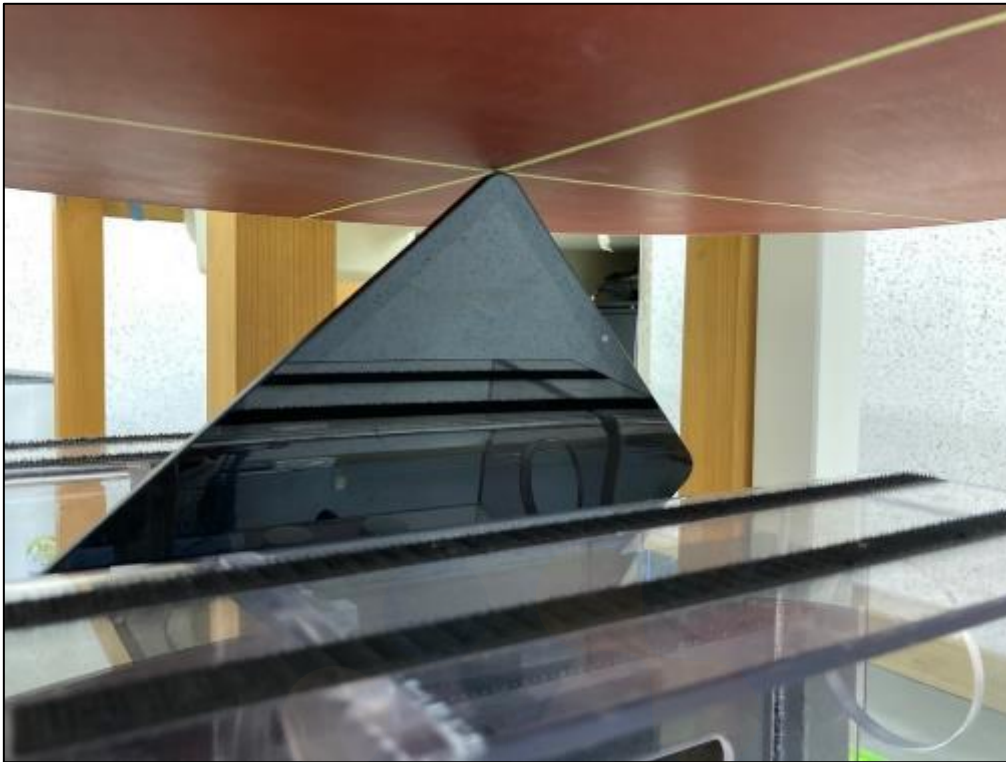


**H.6) Body\_Left (6 mm)**





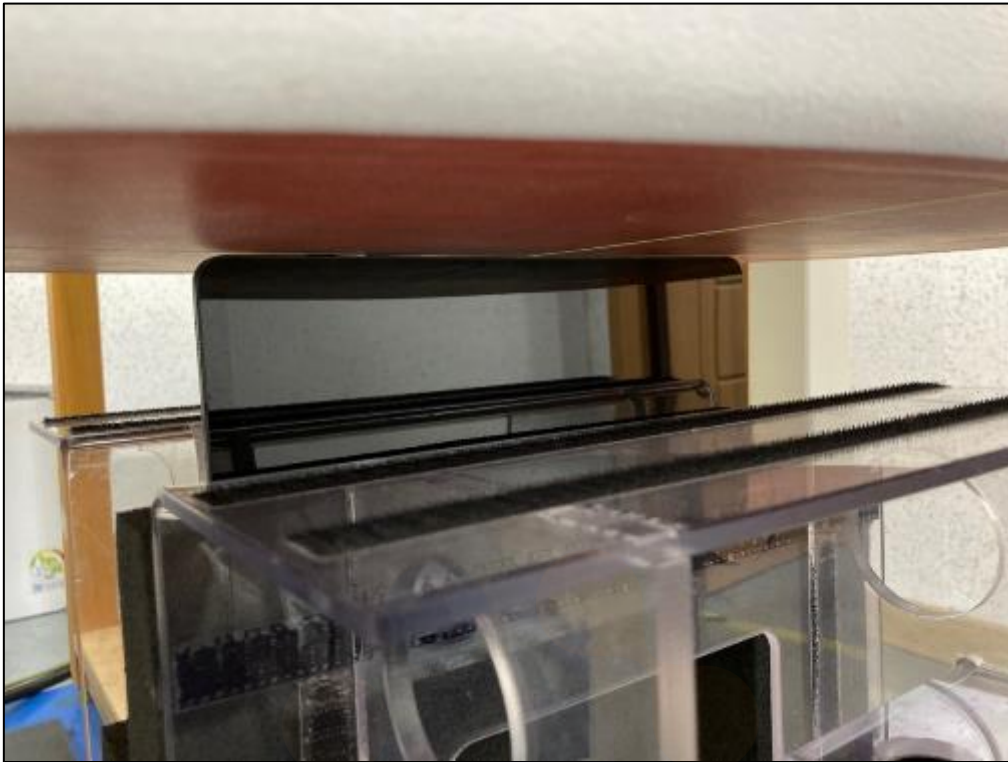
**H.7) Body\_Left corner (0 mm)**



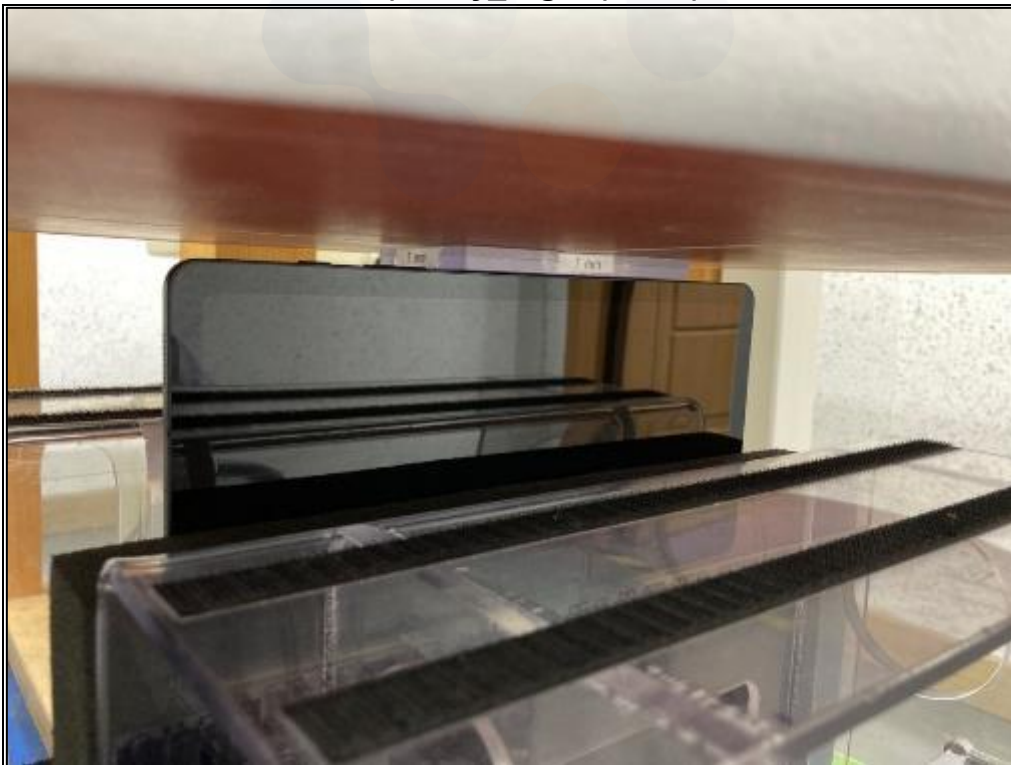
**H.8) Body\_Left corner (7 mm)**



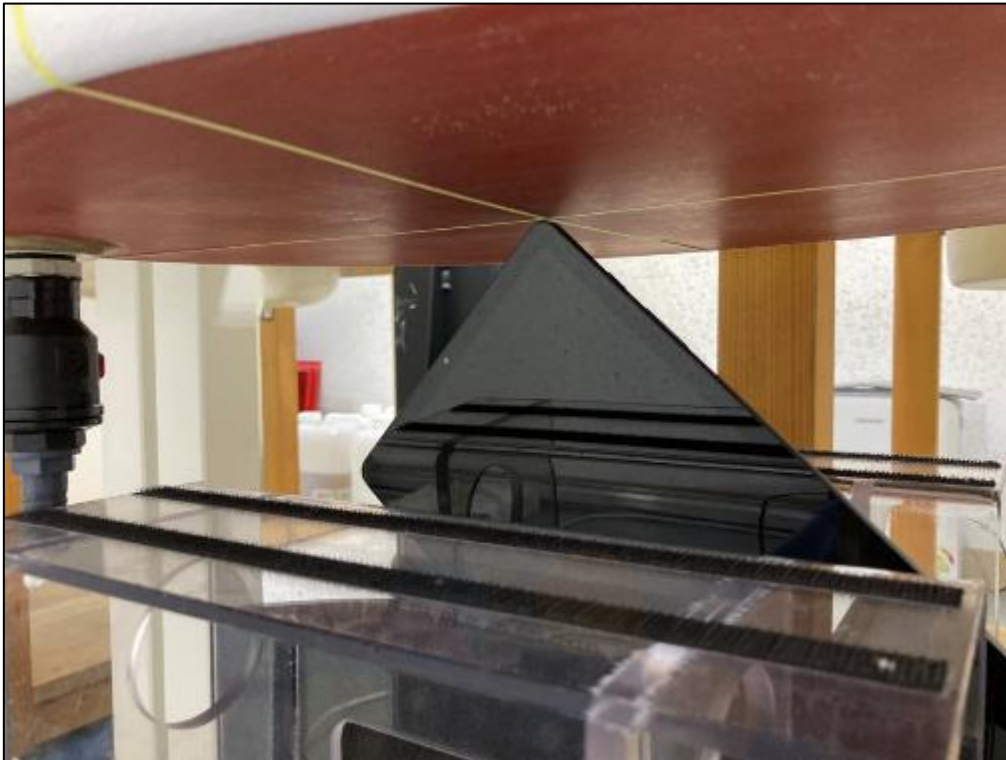
**H.9) Body\_Right (0 mm)**



**H.10) Body\_Right (7 mm)**



**H.11) Body\_Right corner (0 mm)**



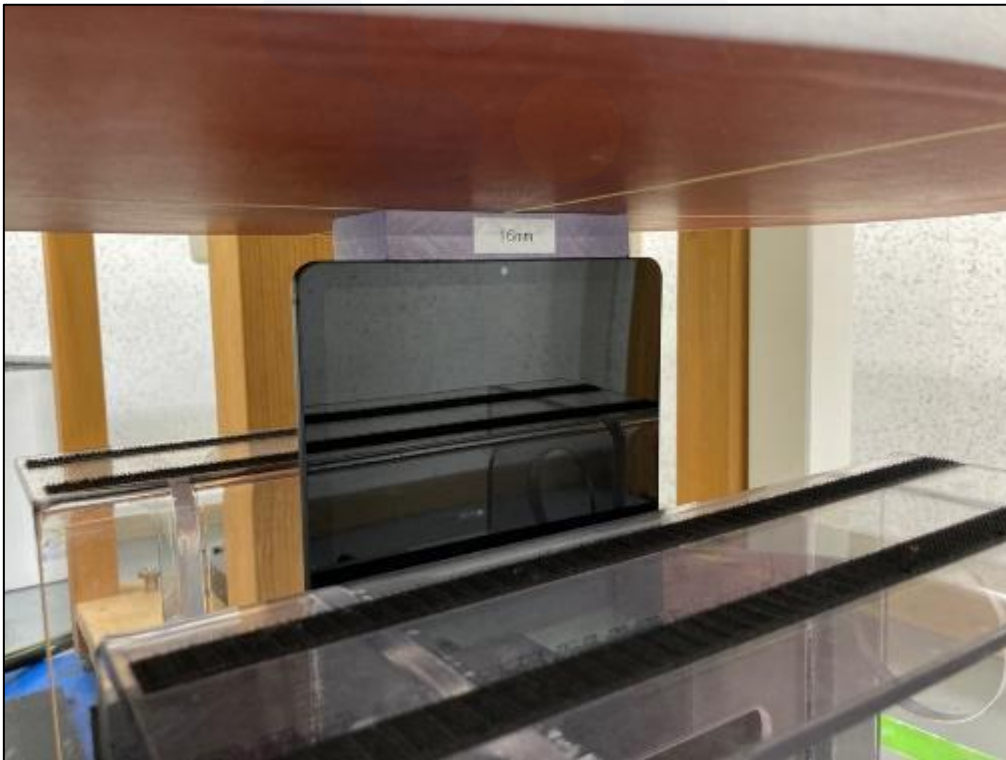
**H.12) Body\_Right corner (8 mm)**



**H.13) Body\_Top (0 mm)**



**H.14) Body\_Top (16 mm)**



**H.15) Body\_Top (17 mm)**



**H.16) Body\_Top (22 mm)**



**End of test report**