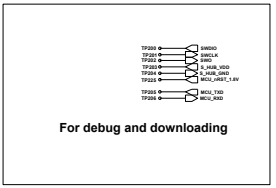
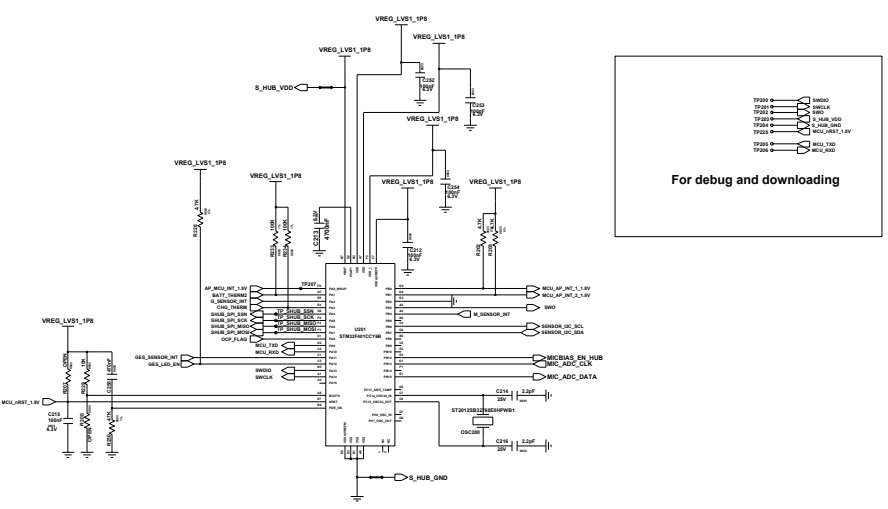
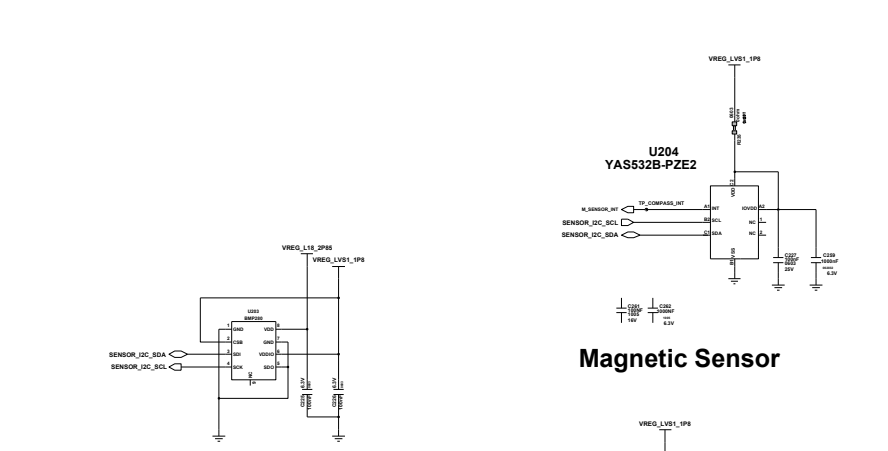


SENSORS

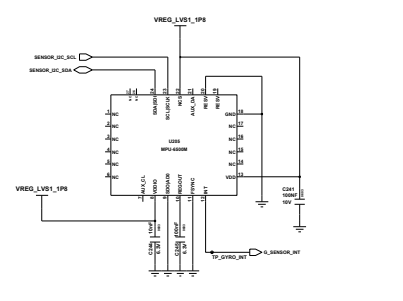


HUB

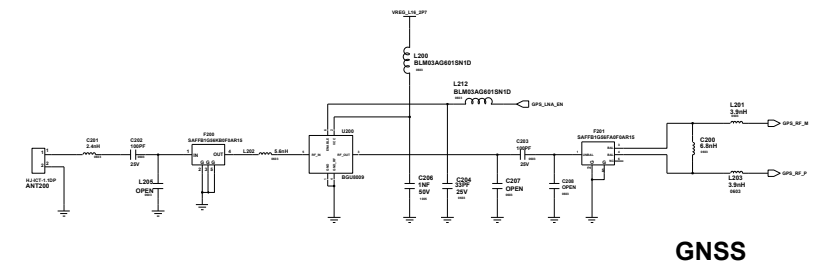


Barometer Sensor

6 Axis Sensor (GYRO,ACCEL)

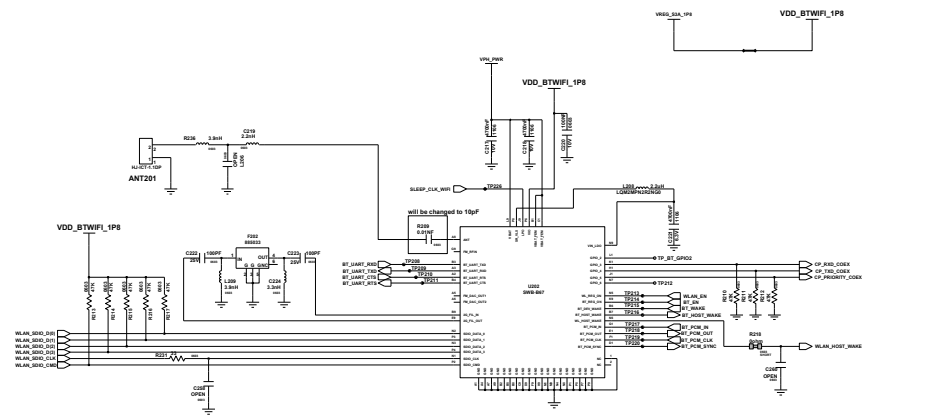


GPS

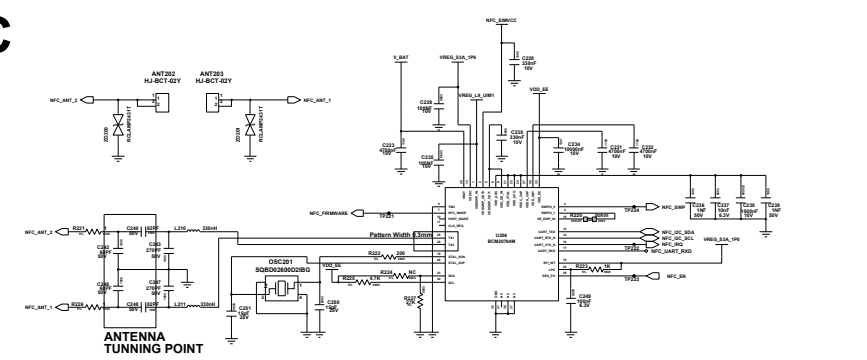


GNSS

BT/WIFI/ANT+

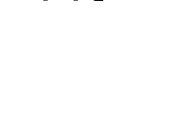
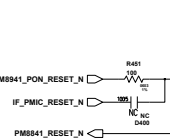
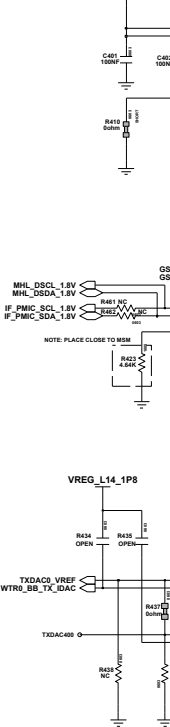


NFC

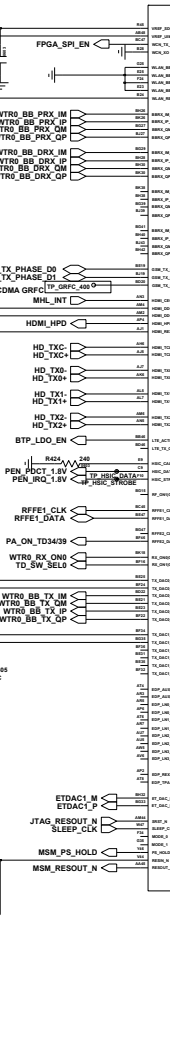


SAMSUNG CONFIDENTIAL
THIS DOCUMENT CONTAINS CONFIDENTIAL
PROPRIETARY INFORMATION THAT IS
SAMSUNG ELECTRONICS CO.'S PROPERTY.
DO NOT DISCLOSE TO OR INCORPORATE INTO OTHERS
EXCEPT AS AUTHORIZED BY SAMSUNG.

SDC_UIM_VBIAS



MAIN CAM



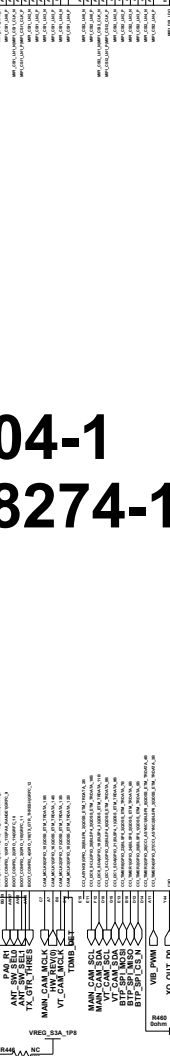
FRONT CAM



LCD MIPI



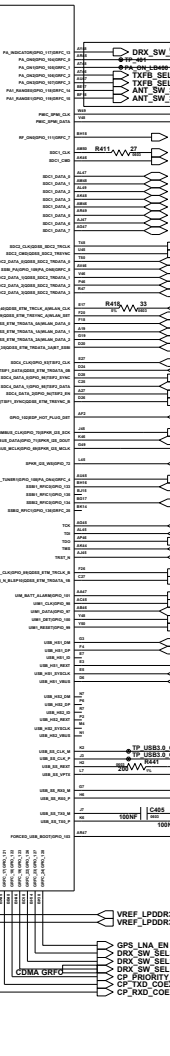
CDMA GRFC



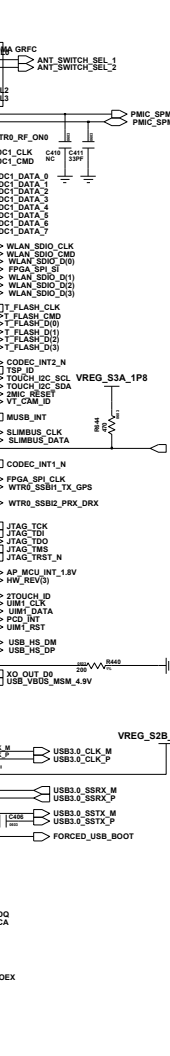
ANT SW SW_SEL



DRX SW_SEL



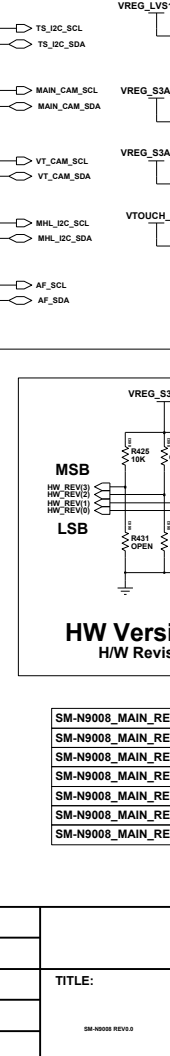
WLAN SDIO



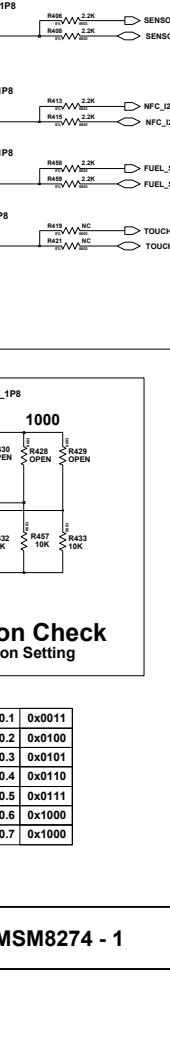
FLASH



CODEC



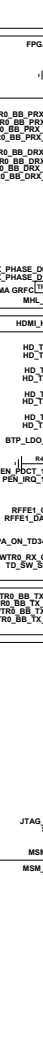
TOUCH



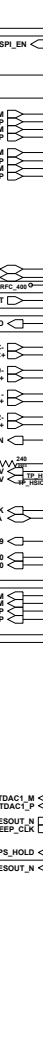
USB



WLAN



SHIM



BT



TS



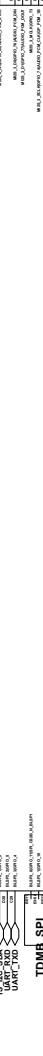
UIM



MCU



TDMB



PRE



AF



BT



BT



BT



BT



BT



BT



BT



BT



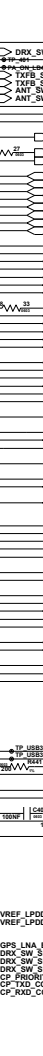
BT



BT



BT



BT



BT



BT



BT



BT



BT



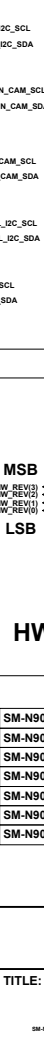
BT



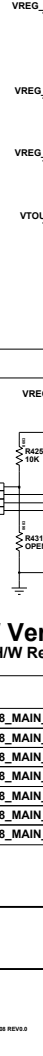
BT



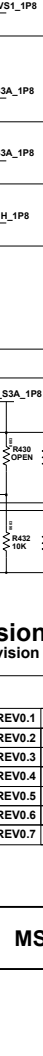
BT



BT



BT



BT



BT



BT



BT



BT



U404-1
MSM8274-1

I2C PULL UP

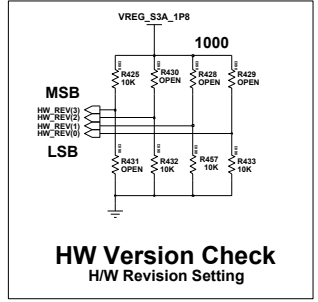
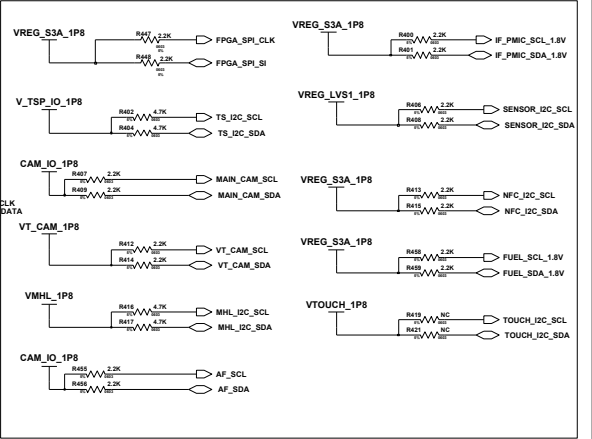
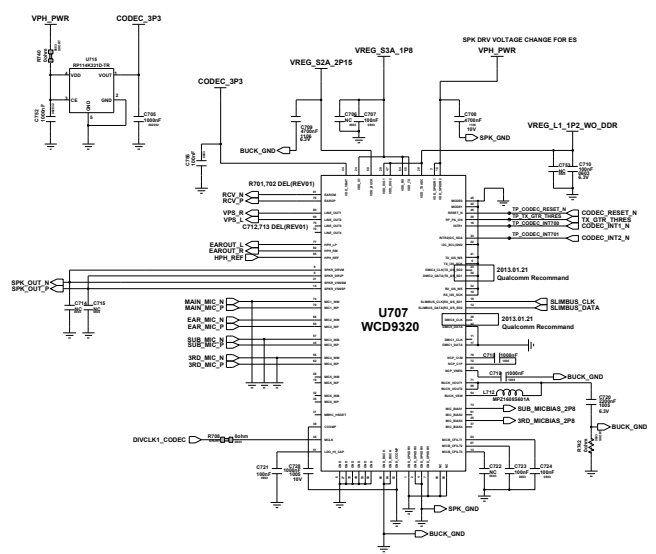


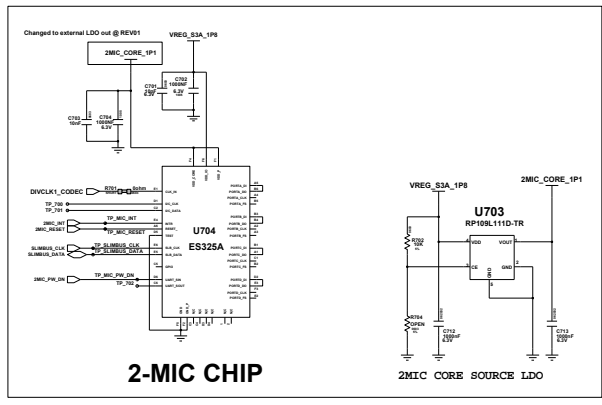
Table with 2 columns: HW_REV (SM-N9008_MAIN_REV0.1 to SM-N9008_MAIN_REV0.7) and 0x0001 to 0x1000.

Engineering form with fields for Engineer, Drawn by, R&D CHK, DOC CTRL CHK, MFG CTRL CHK, QA CHK, REV, Drawing Number, and Page.

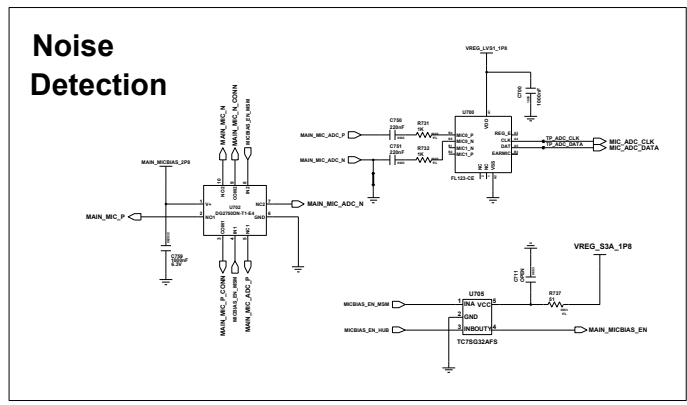
Audio PART



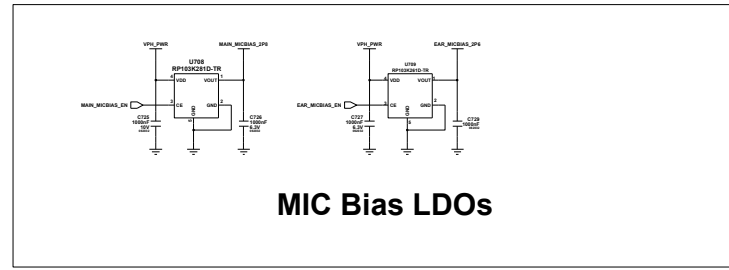
Audio Codec



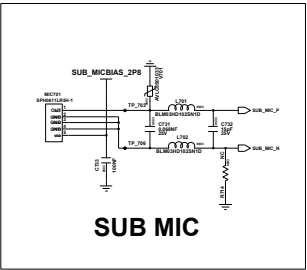
2-MIC CHIP



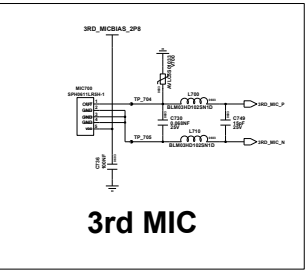
Noise Detection



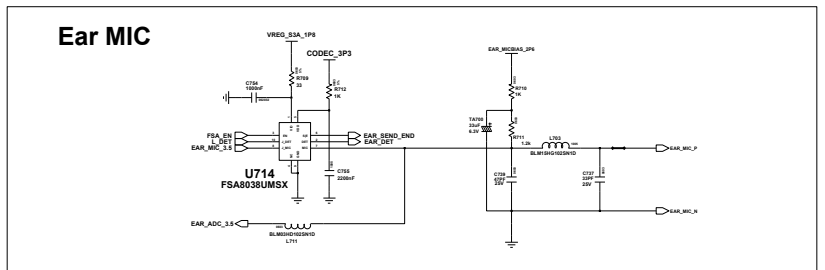
MIC Bias LDOs



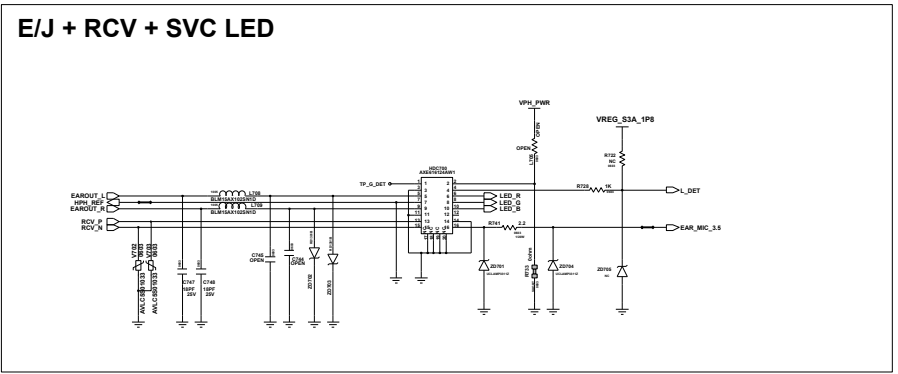
SUB MIC



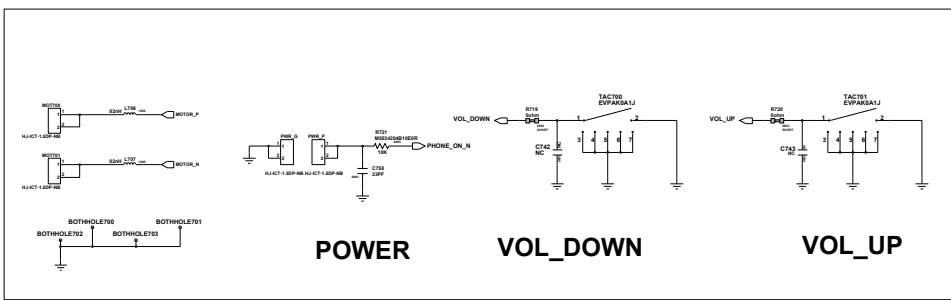
3rd MIC



Ear MIC



E/J + RCV + SVC LED



POWER

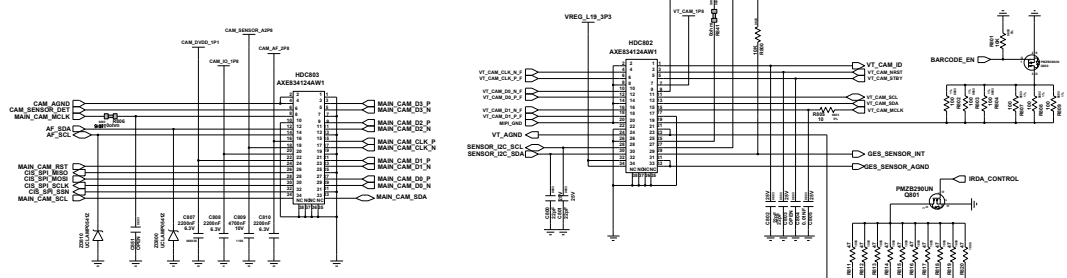
VOL_DOWN

VOL_UP

SAMSKING CONFIDENTIAL
 THIS DOCUMENT CONTAINS CONFIDENTIAL INFORMATION AND IS THE PROPERTY OF SAMSUNG ELECTRONICS CO., LTD. IT IS NOT TO BE DISCLOSED TO OR REPRODUCED FOR OTHERS WITHOUT THE EXPRESS WRITTEN PERMISSION OF SAMSUNG ELECTRONICS CO., LTD.

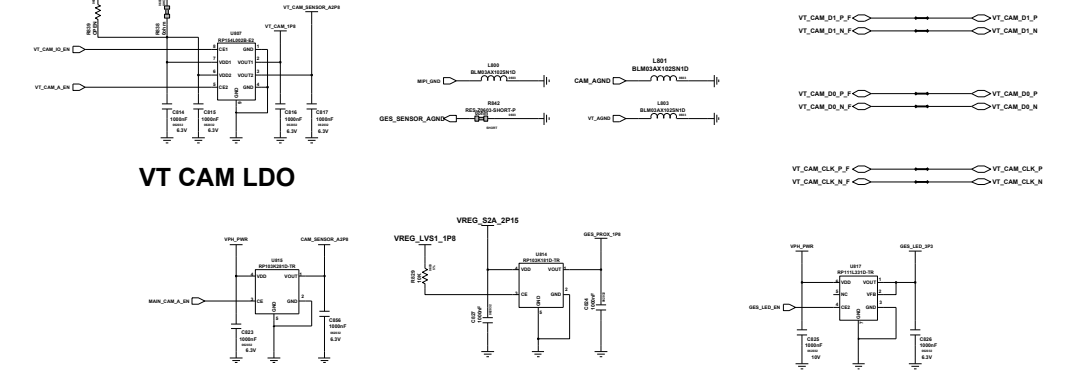
CONFIDENTIAL

CAMERA PART



13M_Camera Connector (MIPI)

**VT_CAMERA (2M)
Gesture(ALS+PROX+RGB) + IRDA**

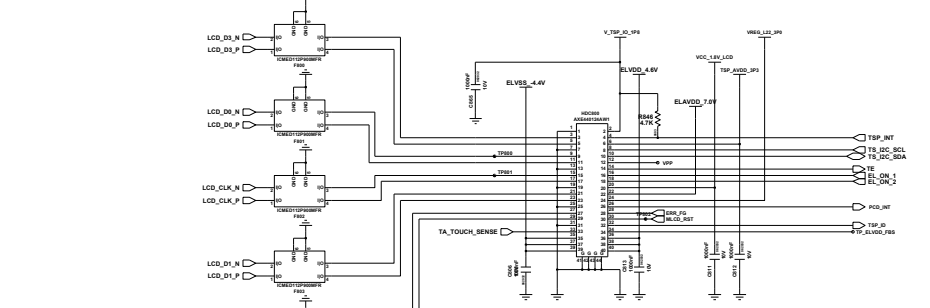


VT CAM LDO

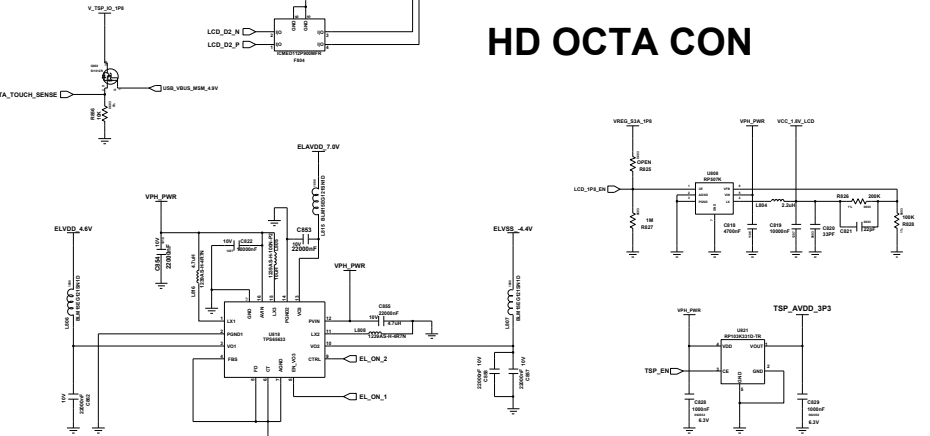
MAIN CAM & GES LDO

Gesture Sensor LDO

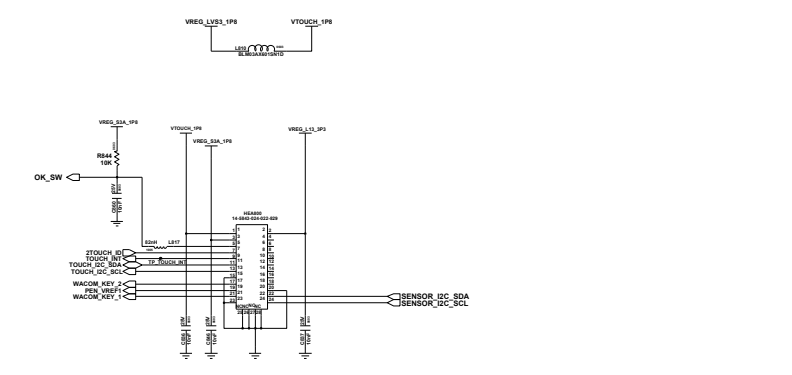
DISPLAY PART



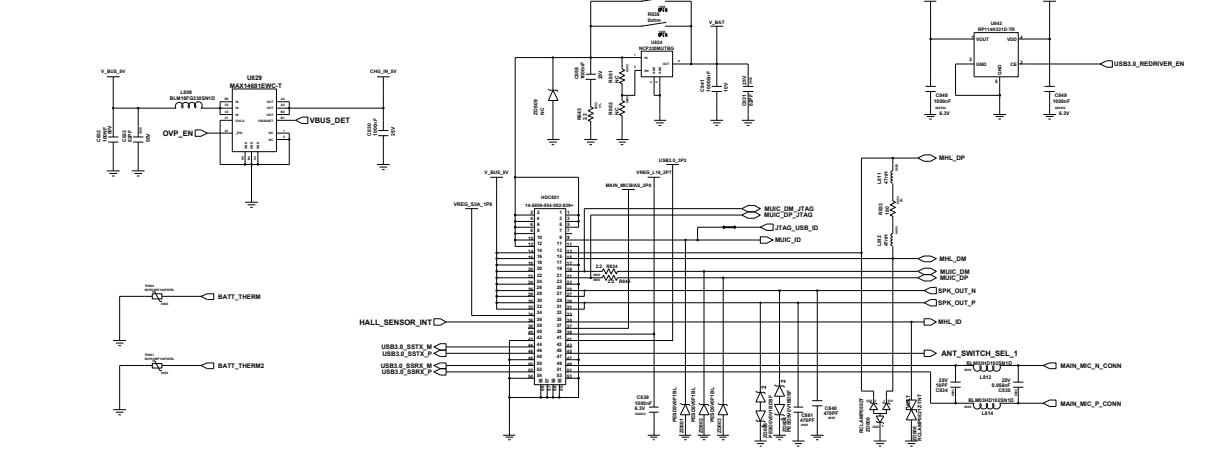
HD OCTA CON



HD OCTA DC-DC



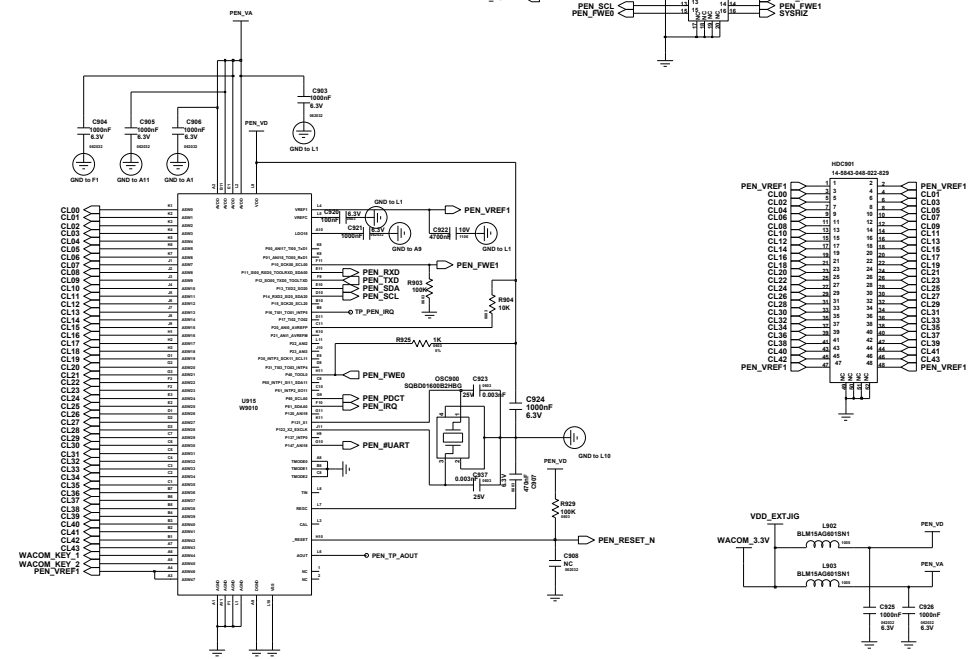
2Touch_Key / BTP



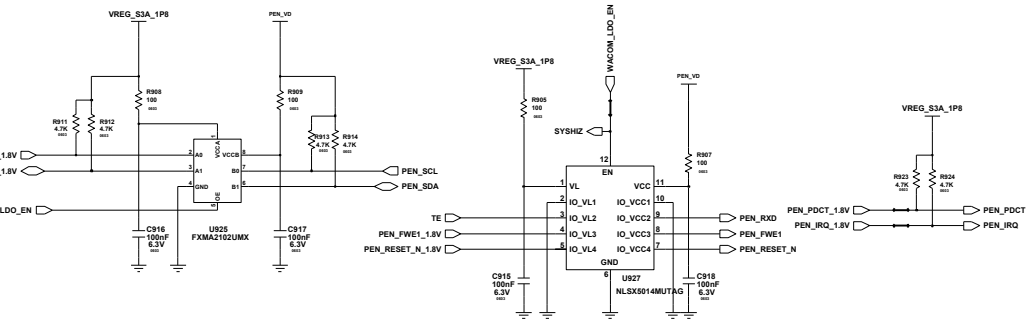
**SUB FPCB IF CONN.
(USB2.0 / USB3.0 / Main ANT / SPK)**

Equipment	CAM / DISPLAY
Drawn by	
Checked by	
DOCKING CODE	
WORK NUMBER	SM-88888-8888-0

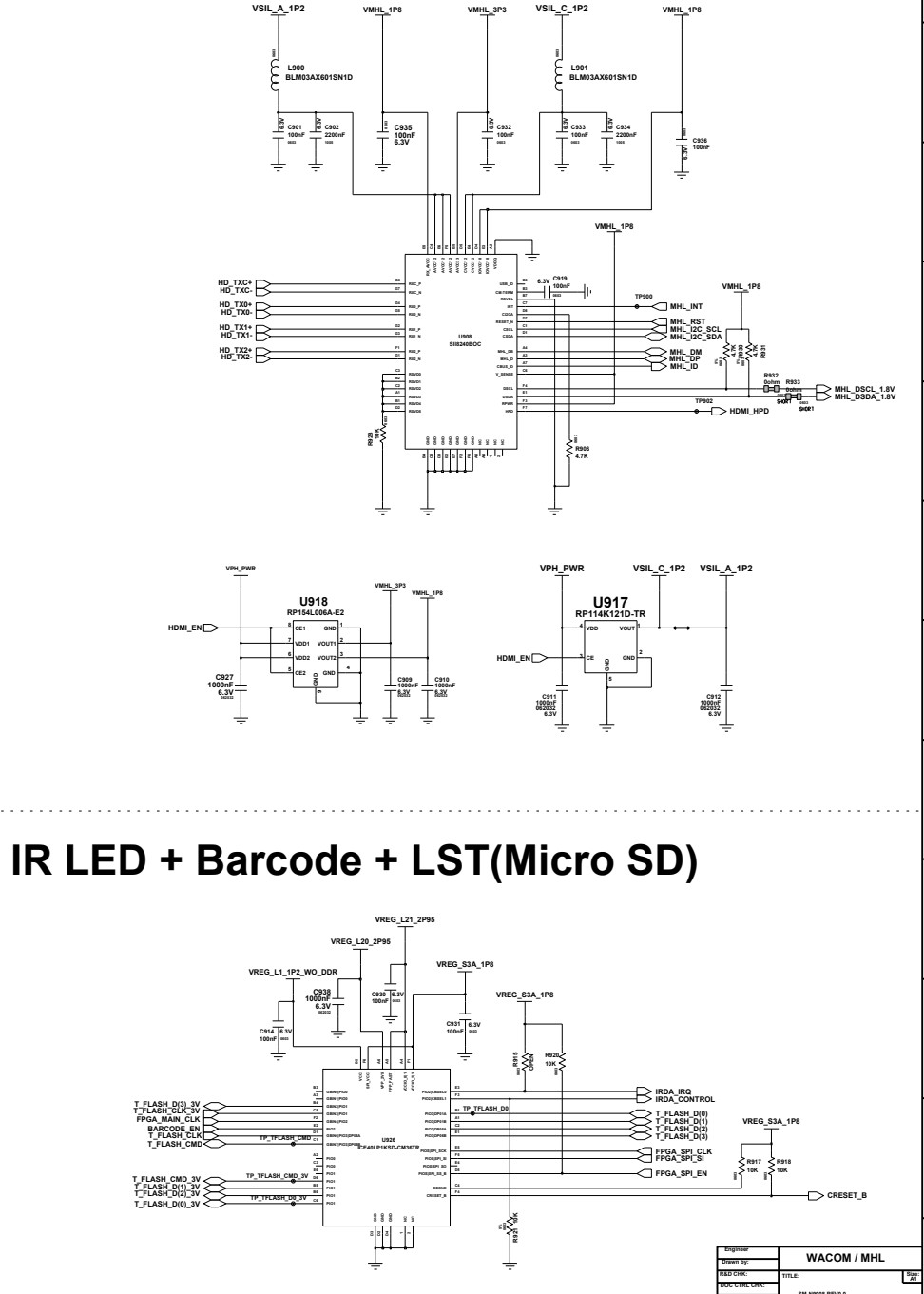
WACOM PART



WACOM PEN DETECT



IR LED + Barcode + LST(Micro SD)



POWER PART

