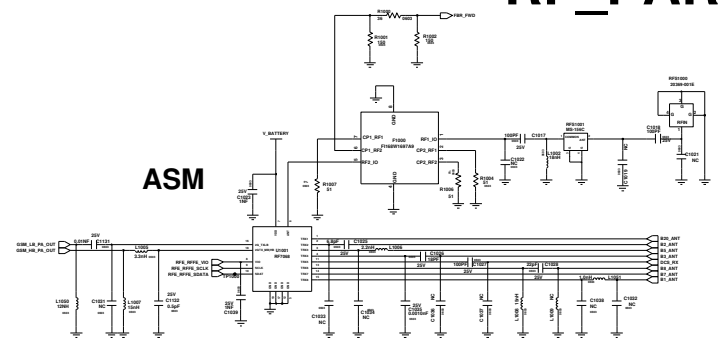


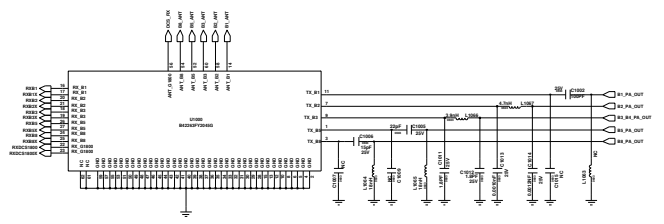
SAMSUNG CONFIDENTIAL
 THIS DOCUMENT CONTAINS CONFIDENTIAL
 INFORMATION. INFORMATION CONTAINED
 HEREIN IS UNCLASSIFIED ONLY IN ACCORDANCE
 WITH THE POLICY OF THE NATIONAL SECURITY
 AGENCY AS AUTHORIZED BY LAW.

RF_PART

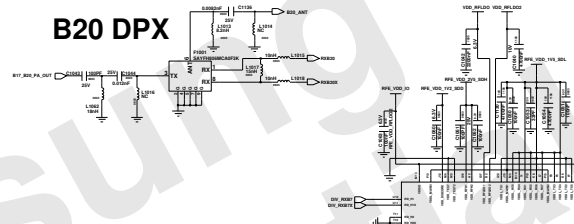
ASM



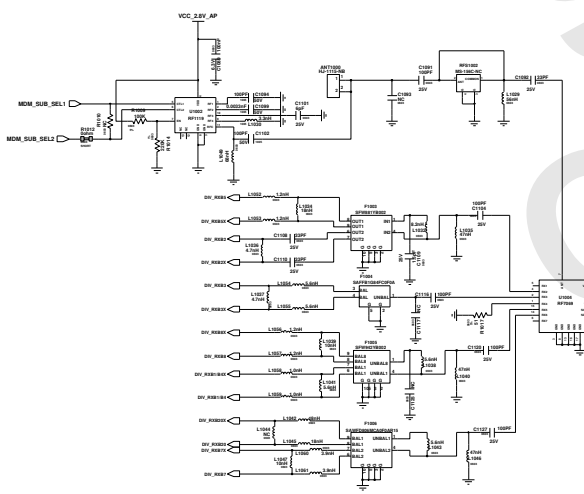
DPX SAW BANK



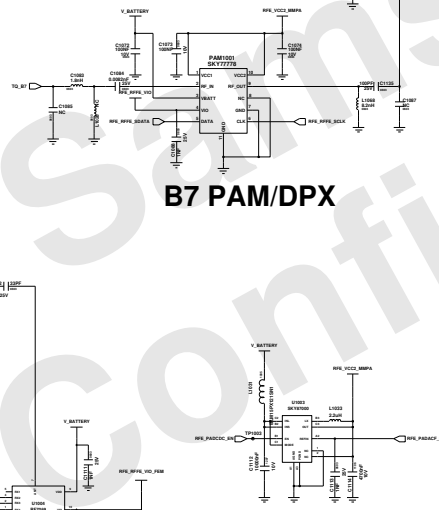
B20 DPX



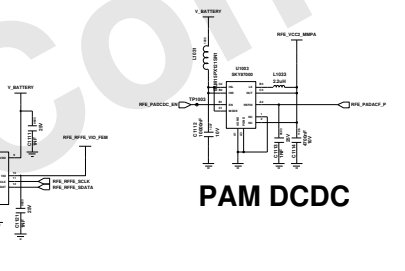
GSM, B1/2/5/8, LTE3/20 PAM



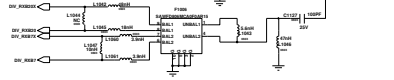
B7 PAM/DPX



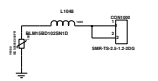
PAM DCDC



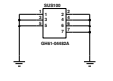
SUB ANTENNA



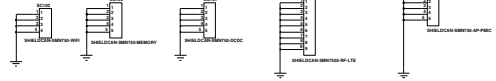
SMD Gasket



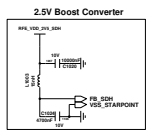
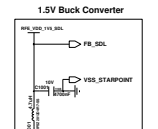
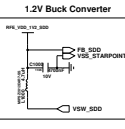
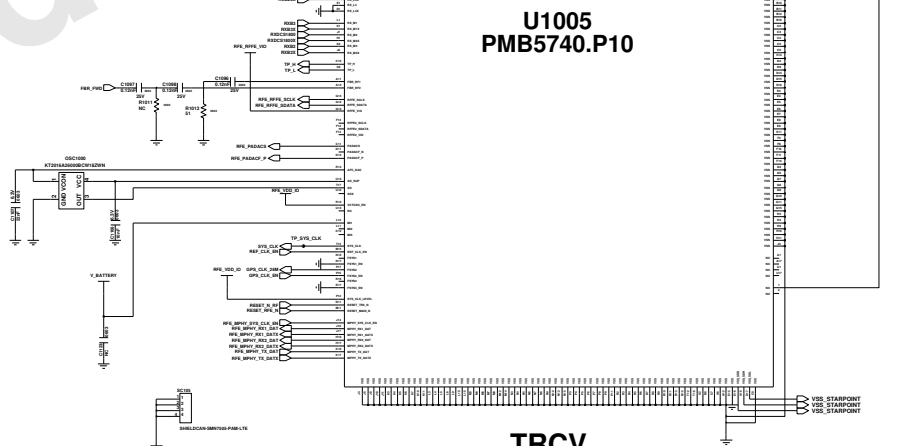
SUS Plate



Shield can

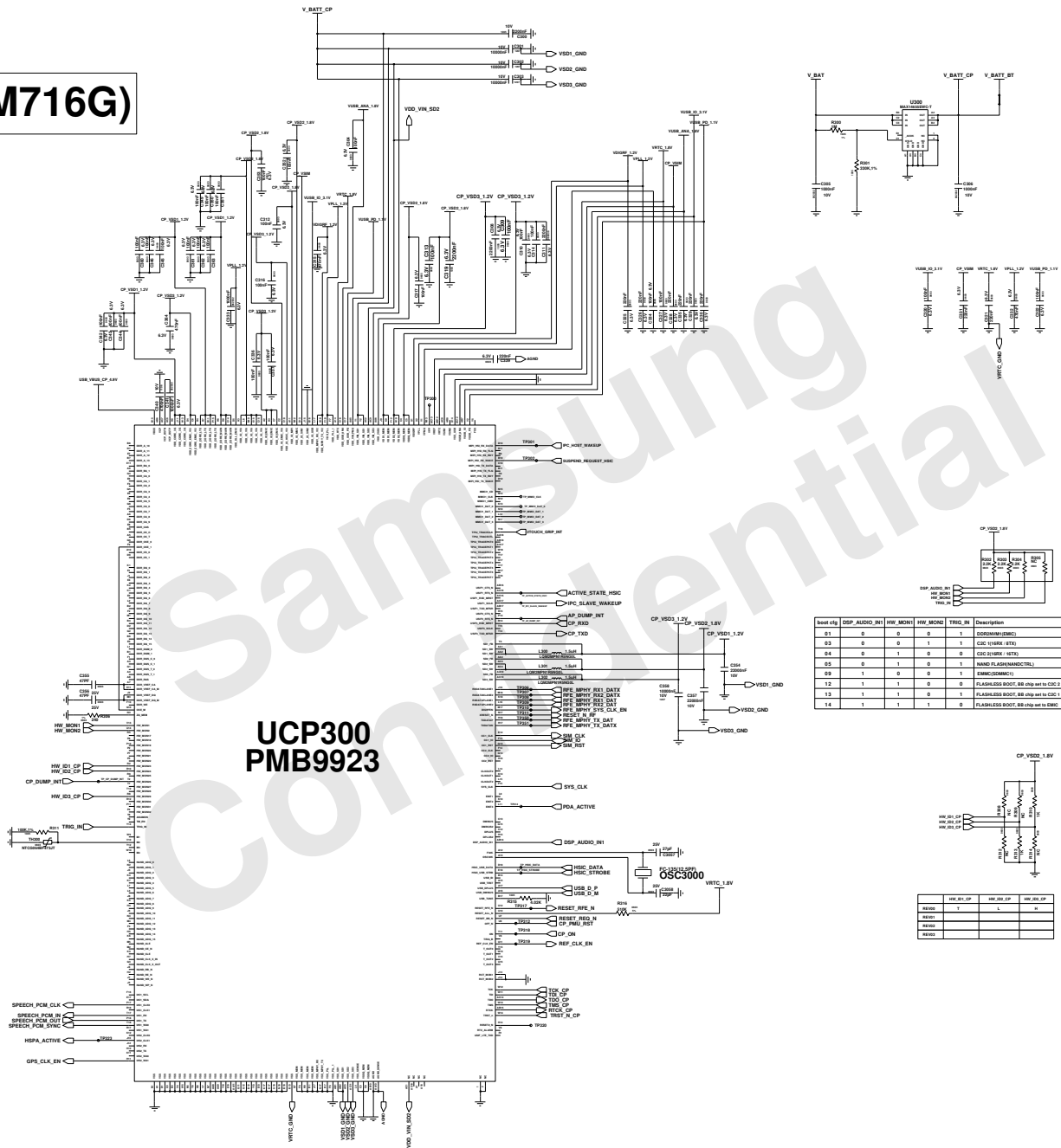


TRCV



Project:	SAMSUNG ELECTRONICS
Drawn by:	SM-N7505
Checked by:	
Approved by:	
Date:	2011.04.28

CP Part (XMM716G)



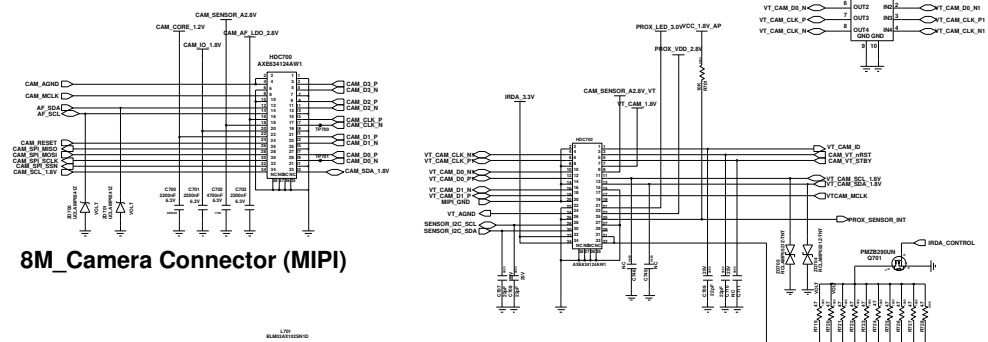
UCP300
PMB9923

Boot city	DSP_AUDIO_IN	HW_MON1	HW_MON2	TRIG_IN	Description
01	0	0	0	1	COMMON(EMC)
02	0	0	1	1	CDC VIBRA_APTD
04	0	1	0	0	CDC 2(VIBRA - VIBR)
05	0	1	0	1	MEMO FLASH(MANDCTRL)
08	1	0	0	1	EMMC(COMMON)
12	1	1	0	0	FLASHLESS BOOT_08 chip set to CSC 1
13	1	1	0	1	FLASHLESS BOOT_08 chip set to CSC 1
14	1	1	1	0	FLASHLESS BOOT_08 chip set to EMC

HW_MON1_CP	HW_MON2_CP	HW_MON_CP
MEMO	L	L
MEMO	L	L
MEMO	L	L

SAMSUNG CONFIDENTIAL
THIS DOCUMENT CONTAINS SAMSUNG PROPRIETARY INFORMATION THAT IS UNLAWFULLY DISCLOSED TO YOU. YOU MAY NOT REPRODUCE OR TRANSMIT THIS INFORMATION IN ANY FORM OR BY ANY MEANS, ELECTRONIC OR MECHANICAL, INCLUDING PHOTOCOPYING, RECORDING, OR BY ANY INFORMATION STORAGE AND RETRIEVAL SYSTEM, WITHOUT PERMISSION IN WRITING FROM SAMSUNG ELECTRONICS CO., LTD. ALL RIGHTS RESERVED. SAMSUNG ELECTRONICS CO., LTD. 2014. ALL RIGHTS RESERVED.

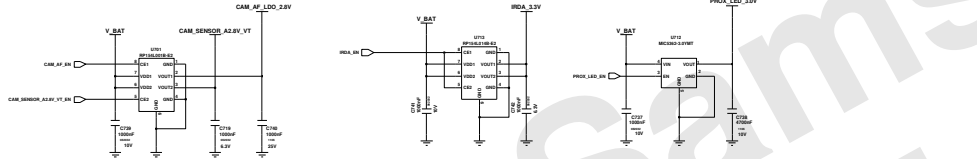
CAMERA PART



8M_Camera Connector (MIPI)

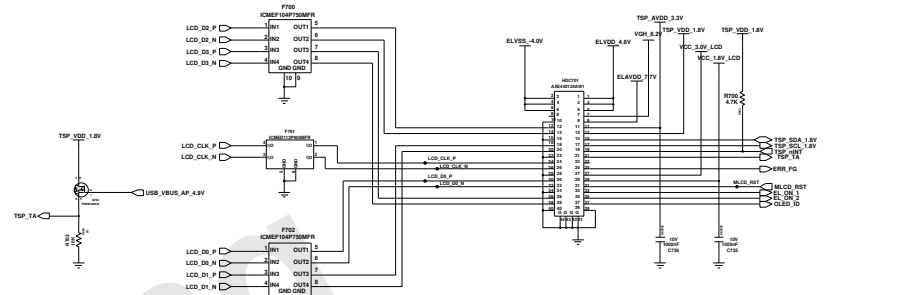
VT_CAMERA (2M)

AGND



VT CAM LDO

DISPLAY PART



Charging_DET

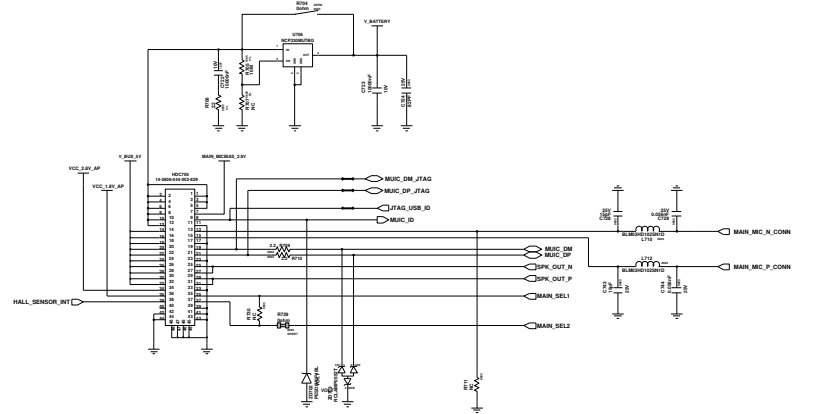
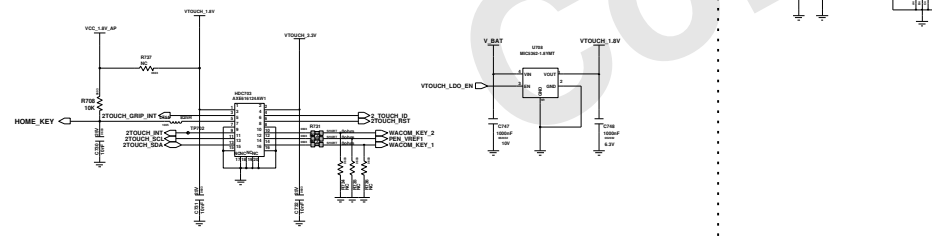
HD OCTA CON

HD OCTA DC-DC

TSP_LDO

ESD DET

2Touch_Key



SUB FPCB IF CONN.
(11PIN USB / Main ANT / SPK)

Project Name	CAM / DISPLAY
Doc No.	SM-N7505
Doc Title	SM-N7505
Doc Ver	1.0
Doc Date	2014.08.14
Doc Path	...

