

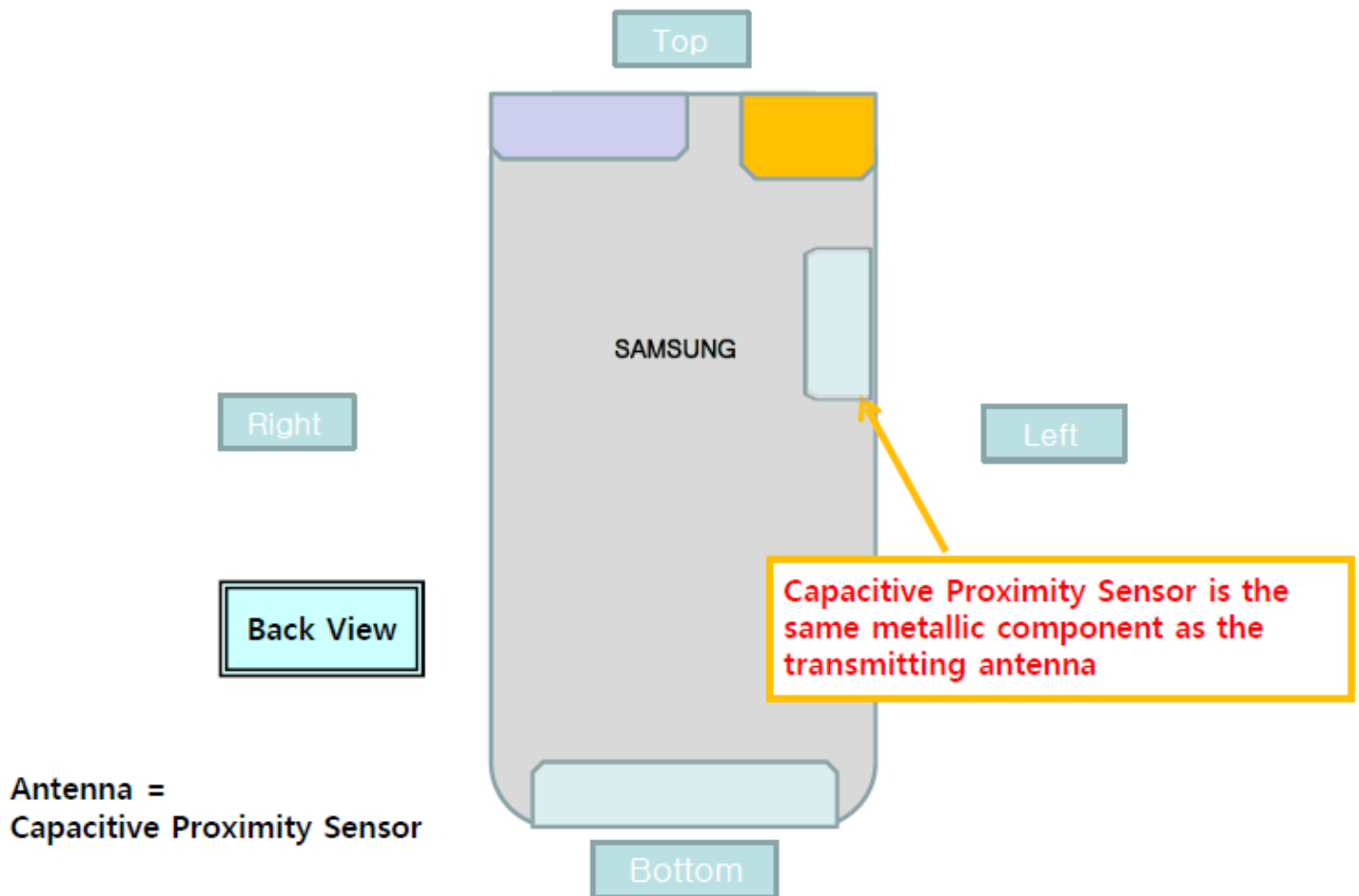
# Proximity Sensor Triggering Distance, Sensor Coverage, and Tilt Angle Assessment

## Power Reduction by Proximity Sensing

According to FCC KDB 616217 6.3, if the proximity sensors are not designed to cover the entire rear surface of the tablet, the sensing regions are limited and are spatially offset from the antenna.

However, this device uses a capacitive proximity sensor that is same metallic component as the transmitting antenna to facilitate triggering in any conditions the user may use the device in proximity of the antenna in the device.

Therefore, no further sensor coverage assessments were required according to KDB 616217 D04.

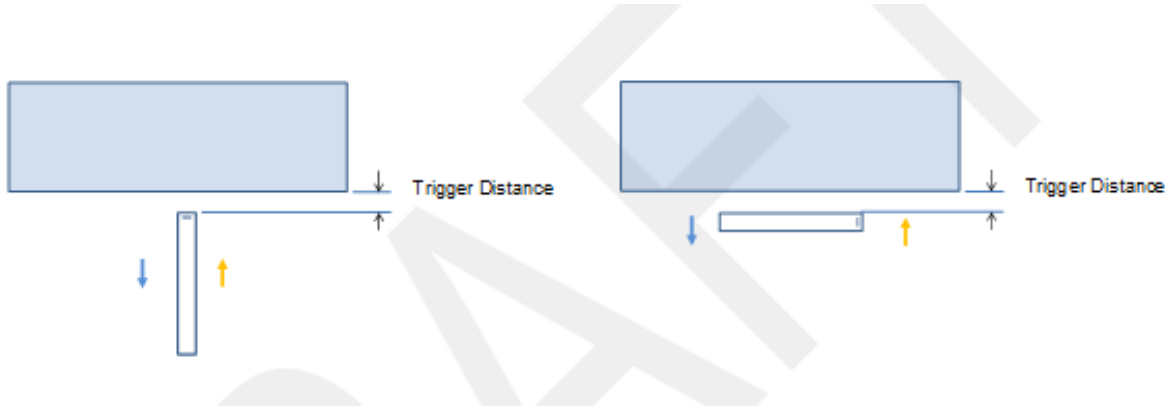


## 1. Proximity Sensor Triggering Distance (KDB 616217 §6.2)

Rear of the DUT was placed directly below the flat phantom. The DUT was moved toward the phantom in accordance with the steps outlined in KDB 616217 §6.2 to determine the trigger distance for enabling power reduction. The DUT was moved away from the phantom to determine the trigger distance for resuming full power. The measurement was then repeated for the surface of Edge 3 (Bottom) and Edge 4 (Left).

The DUT featured a visual indicator on its display that showed the status of the proximity sensor (Triggered or not triggered). This was used to determine the status of the sensor during the proximity sensor assessment as monitoring the output power directly was not practical without affecting the measurement.

It was confirmed separately that the output power was altered according to the proximity sensor status indication. This was achieved by observing the proximity sensor status at the same time as monitoring the conducted power. Section 9 contains both the full and reduced conducted power measurements.



Proximity Sensor Trigger Distance Assessment  
KDB 616219 §6.2, Edge 3 (Bottom) and 4 (Left)

Proximity Sensor Trigger Distance Assessment  
KDB 616219 §6.2, Rear

### LEGEND

- Direction of DUT travel for determination of power reduction triggering point
- Direction of DUT travel for determination of full power resumption triggering point

### Summary of Trigger Distances

Tissue simulating liquid	Trigger distance - Rear		Trigger distance - Edge 4 (Left)	
	Moving toward phantom	Moving from phantom	Moving toward phantom	Moving from phantom
Broadband 835 MHz	10 mm	10 mm	N/A	N/A
Broadband 1750 MHz	10 mm	10 mm	N/A	N/A
Broadband 1900 MHz	10 mm	10 mm	N/A	N/A
Broadband 2600 MHz	13 mm	13 mm	13 mm	13 mm

## Proximity Sensor Triggering Distance Measurement Results

### Rear

KDB 616217 D04 6.2.f									
Measured Power [dBm]									
Distance[mm]	15	14	13	12	11	10	9	8	7
WCDMA II	24.02	24.08	24.01	24.05	24.01	22.06	22.05	22.01	22.05
WCDMA IV	24.02	24.02	24.02	24.02	24.04	22.00	22.01	22.04	22.06
LTE B2	24.01	24.02	24.03	24.00	24.01	22.01	22.00	22.02	22.03
LTE B4	24.00	24.02	24.04	24.00	24.02	21.00	21.03	21.02	21.00
LTE B5	24.03	24.03	24.05	24.01	24.00	22.04	22.05	22.01	22.00
LTE B66	23.52	23.52	23.54	23.54	23.52	21.50	21.55	21.50	21.54

KDB 616217 D04 6.2.d									
Measured Power [dBm]									
Distance[mm]	34	31	28	25	22	19	16	13	
LTE B41	22.50	22.52	22.51	22.52	22.53	22.51	22.50	18.50	

### Edge 4 (Left)

KDB 616217 D04 6.2.f									
Measured Power [dBm]									
Distance[mm]	18	17	16	15	14	13	12	11	10
LTE B41	22.50	22.51	22.52	22.50	22.51	18.50	18.52	18.51	18.50

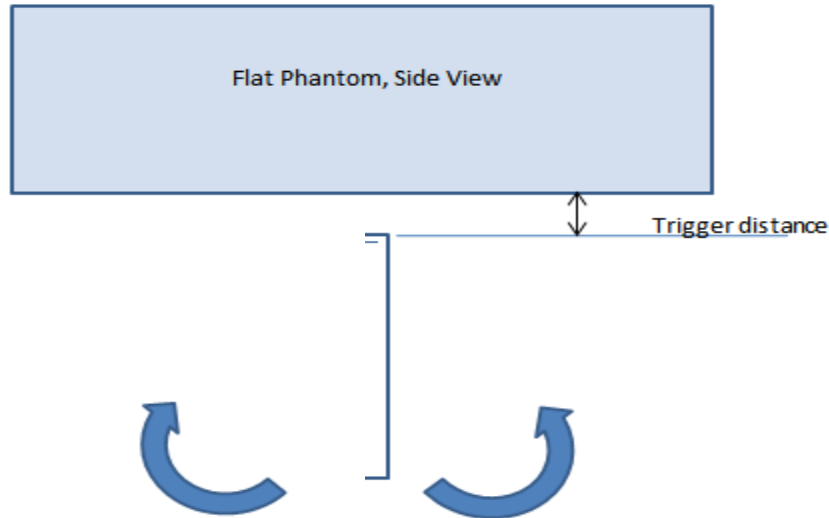
## **2. Proximity Sensor Coverage (KDB 616217 §6.3)**

As there is no spatial offset between the antenna and the proximity sensor element, proximity sensor coverage did not need to be assessed.

### 3. Proximity Sensor Tilt Angle Assessment (KDB 616217 §6.4)

The DUT was positioned directly below the flat phantom at the minimum measured trigger distance with Edge 3 (Bottom) parallel to the base of the flat phantom for each band.

The EUT was rotated about Edge 4 (Left Edge) for angles up to +/- 45°. If the output power increased during the rotation the DUT was moved 1mm toward the phantom and the rotation repeated. This procedure was repeated until the power remained reduced for all angles up to +/- 45°.



Proximity sensor tilt angle assessment (Edge 3) KDB 616217 §6.4

#### Summary of Tablet Tilt Angle Influence to Proximity Sensor Triggering

Band (MHz)	Minimum trigger distance measured according to KDB 616217 §6.2	Minimum distance at which power reduction was maintained over +/-45°	Power reduction status											
			-45°	-40°	-30°	-20°	-10°	0°	10°	20°	30°	40°	45°	
835	10 mm	10 mm	Off	Off	Off	Off	Off	Off	Off	Off	Off	Off	Off	Off
1750	10 mm	10 mm	Off	Off	Off	Off	Off	Off	Off	Off	Off	Off	Off	Off
1900	10 mm	10 mm	Off	Off	Off	Off	Off	Off	Off	Off	Off	Off	Off	Off
2600	13 mm	13 mm	Off	Off	Off	Off	Off	Off	Off	Off	Off	Off	Off	Off

#### Resulting test positions for SAR measurements

Wireless technologies	Position	§6.2 Triggering Distance	§6.3 Coverage	§6.4 Tilt Angle	SAR Test Distance (Trigger Distance -1mm)
WWAN 1750/1900 MHz	Rear	10 mm	N/A	N/A	9 mm
WWAN 2600 MHz	Rear	13 mm	N/A	N/A	12 mm
	Edge 4 (Left)	13 mm	N/A	N/A	12 mm