

# FCC DFS REPORT

## Certification

**Applicant Name:**  
SAMSUNG Electronics Co., Ltd.

**Date of Issue:**  
20 January 2020

**Address:**  
129, Samsung-ro, Yeongtong-gu, Suwon-si,  
Gyeonggi-do, 16677, Rep. of Korea

**Test Site/Location:**  
74, Seoicheon-ro 578beon-gil, Majang-myeon, Icheon-si,  
Gyeonggi-do, 17383 KOREA

**Report No.:** HCT-RF-2001-FC016-R1

|                   |                                      |
|-------------------|--------------------------------------|
| <b>FCC ID:</b>    | <b>A3LSMG988B</b>                    |
| <b>APPLICANT:</b> | <b>SAMSUNG Electronics Co., Ltd.</b> |

**Model:** SM-G988B/DS  
**Additional Model:** SM-G988B  
**EUT Type:** Mobile Phone

**Max. RF Output Power:**

| Band   | Mode             | SISO       |       |            |       | MIMO                |       |
|--------|------------------|------------|-------|------------|-------|---------------------|-------|
|        |                  | Ant1 Power |       | Ant2 Power |       | Ant 1 + Ant 2 Power |       |
|        |                  | (dBm)      | (W)   | (dBm)      | (W)   | (dBm)               | (W)   |
| UNII2A | 802.11a          | 17.27      | 0.053 | 16.15      | 0.041 | 19.75               | 0.094 |
|        | 802.11n (HT20)   | 17.26      | 0.053 | 16.22      | 0.042 | 19.78               | 0.095 |
|        | 802.11n (HT40)   | 16.63      | 0.046 | 15.40      | 0.035 | 19.07               | 0.081 |
|        | 802.11ac (VHT20) | 17.30      | 0.054 | 16.23      | 0.042 | 19.81               | 0.096 |
|        | 802.11ac (VHT40) | 16.52      | 0.045 | 15.37      | 0.034 | 19.00               | 0.079 |
|        | 802.11ac (VHT80) | 14.38      | 0.027 | 13.23      | 0.021 | 16.85               | 0.048 |
| UNII2C | 802.11a          | 17.79      | 0.060 | 17.05      | 0.051 | 20.44               | 0.111 |
|        | 802.11n (HT20)   | 17.71      | 0.059 | 17.07      | 0.051 | 20.41               | 0.110 |
|        | 802.11n (HT40)   | 16.88      | 0.049 | 16.26      | 0.042 | 19.59               | 0.091 |
|        | 802.11ac (VHT20) | 17.76      | 0.060 | 17.27      | 0.053 | 20.54               | 0.113 |
|        | 802.11ac (VHT40) | 16.87      | 0.049 | 16.22      | 0.042 | 19.57               | 0.091 |
|        | 802.11ac (VHT80) | 15.87      | 0.039 | 15.15      | 0.033 | 18.53               | 0.071 |

**FCC Classification:** Unlicensed National Information Infrastructure (NII)

**FCC Rule Part(s):** Part 15.407(DFS)

**Engineering Statement:**

The measurements shown in this report were made in accordance with the procedures indicated, and the emissions from this equipment were found to be within the limits applicable. I assume full responsibility for the accuracy and completeness of these measurements, and for the qualifications of all persons taking them. It is further stated that upon the basis of the measurements made, the equipment tested is capable of operation in accordance with the requirements of the FCC Rules under normal use and maintenance.




**Report prepared by : Jung Ki Lim**  
**Engineer of Telecommunication testing center**

**Approved by : Jong Seok Lee**  
**Manager of Telecommunication testing center**

This report only responds to the tested sample and may not be reproduced, except in full, without written approval of the HCT Co., Ltd.

## Version

| TEST REPORT NO.      | DATE            | DESCRIPTION                              |
|----------------------|-----------------|--|
| HCT-RF-2001-FC016    | 16 January 2020 | - First Approval Report                  |
| HCT-RF-2001-FC016-R1 | 20 January 2020 | - Revised the Architecture (On page 4. ) |

This test results were applied only to the test methods required by the standard.

This laboratory is not accredited for the test results marked \*.

The above Test Report is the accredited test result by KOLAS(Korea Laboratory Accreditation Scheme), which signed the ILAC-MRA. (HCT Accreditation No.: KT197)

# Table of Contents

|   |    |
|---|----|
| 1. GENERAL INFORMATION .....                            | 4  |
| EUT DESCRIPTION .....                                   | 4  |
| 2. SCOPE .....  | 5  |
| 3. INSTRUMENT CALIBRATION.....                          | 5  |
| 4. FACILITIES AND ACCREDITATIONS .....                  | 5  |
| FACILITIES .....  | 5  |
| EQUIPMENT .....   | 5  |
| 5. SUMMARY OF TEST RESULTS .....                        | 6  |
| 6. DESCRIPTION OF DYNAMIC FREQUENCY SELECTION TEST..... | 7  |
| 6.1 Requirements.....                                   | 7  |
| 6.2 Limit .....   | 8  |
| 6.3 DFS detection threshold values.....                 | 9  |
| 6.4 DFS test signals.....                               | 10 |
| 6.5 Test and measurement system.....                    | 11 |
| 6.6 TEST RESULT .....                                   | 13 |
| 7. LIST OF TEST EQUIPMENT .....                         | 17 |
| 8. ANNEX A_ TEST SETUP PHOTO .....                      | 18 |

## 1. GENERAL INFORMATION

### EUT DESCRIPTION

|                              |  |
|------------------------------|--|
| <b>Model</b>                 | SM-G988B/DS  |
| <b>Additional Model</b>      | SM-G988B   |
| <b>EUT Type</b>              | Mobile Phone   |
| <b>Power Supply</b>          | DC 3.86 V  |
| <b>Modulation Type</b>       | OFDM   |
| <b>Operating mode</b>        | Slave Device without radar detection   |
| <b>Frequency Range</b>       | 5250 – 5350 MHz (UNII-2A Band)<br>5470 – 5725 MHz (UNII-2C Band)   |
| <b>Test Procedure</b>        | FCC KDB 905462 D02 v02   |
| <b>Architecture</b>          | 802.11a/n/ac/ax<br>[Note] : See [UNII]802.11ax Test Report for 802.11ax power on SM-G988BDS.   |
| <b>Channel Bandwidth</b>     | 20, 40, 80MHz  |
| <b>Antenna Specification</b> | Antenna type: PIFA (Planar Inverted F Antenna)<br>Ant.1: UNII 2A: -1.50 dBi / UNII 2C: -1.98 dBi<br>Ant.2: UNII 2A: -0.01 dBi / UNII 2C: -0.16 dBi |
| <b>Date(s) of Tests</b>      | November 18, 2019 ~ January 10, 2020   |

**Note:**

1. TPC is not required since the maximum EIRP is less than 500mW(27dBm).
2. WLAN traffic that meets or exceeds the minimum required loading was generated by transferring a data stream from the controller/server PC to the EUT using Streaming Video.
3. Overview of Master Device
  - : The Master Device is a SAMSUNG Access Point, FCC ID: A3LWEA453E.
  - The rated output power of the Master unit is > 23dBm (EIRP). Therefore the required interference threshold level is -64 dBm.
  - The calibrated radiated DFS Detection Threshold level is set to -64 dBm.
  - The tested level is lower than the required level hence it provides a margin to the limit

## 2. SCOPE

This report has been prepared to demonstrate compliance with the requirements for Dynamic Frequency Selection(DFS) as stated in KDB 905462 D02 v02. Testing was performed in accordance with the measurement procedure described in FCC KDB 905462 D02 v02.

## 3. INSTRUMENT CALIBRATION

The measuring equipment, which was utilized in performing the tests documented herein, has been calibrated in accordance with the manufacturer's recommendations for utilizing calibration equipment's, which is traceable to recognized national standards.

Especially, all antenna for measurement is calibrated in accordance with the requirements of C63.5 (Version : 2017).

## 4. FACILITIES AND ACCREDITATIONS

### FACILITIES

The SAC(Semi-Anechoic Chamber) and conducted measurement facility used to collect the radiated data are located at the 74, Seoicheon-ro 578beon-gil, Majang-myeon, Icheon-si, Gyeonggi-do, 17383, Rep. of KOREA. The site is constructed in conformance with the requirements of ANSI C63.4. (Version :2014) and CISPR Publication22. Detailed description of test facility was submitted to the Commission and accepted dated April 02, 2018 (Registration Number: KR0032).

### EQUIPMENT

Radiated emissions are measured with one or more of the following types of Linearly polarized antennas: tuned dipole, bi-conical, log periodic, bi-log, and/or ridged waveguide, horn. Spectrum analyzers with pre-selectors and quasi-peak detectors are used to perform radiated measurements.

Conducted emissions are measured with Line Impedance Stabilization Networks and EMI Test Receivers. Calibrated wideband preamplifiers, coaxial cables, and coaxial attenuators are also used for making measurements.

All receiving equipment conforms to CISPR Publication 16-1, "Radio Interference Measuring Apparatus and Measurement Methods."

**5. SUMMARY OF TEST RESULTS**

| Band    | Parameter                         | Limit   | Result              |
|---------|-----------------------------------|---|---------------------|
| UNII-2A | Channel Move Time                 | 10 seconds  | NT <sup>Note2</sup> |
|         | Channel Closing Transmission Time | 200 ms + aggregate of 60 ms over remaining 10 second period | NT <sup>Note2</sup> |
|         | Non-occupancy Period              | 30 minutes  | NT <sup>Note2</sup> |
| UNII-2C | Channel Move Time                 | 10 seconds  | PASS                |
|         | Channel Closing Transmission Time | 200 ms + aggregate of 60 ms over remaining 10 second period | PASS                |
|         | Non-occupancy Period              | 30 minutes  | PASS                |

**Note:**

1. NT = Not Tested, NA = Not Applicable
2. The KDB905462 D02 v02 : Each one channel selected between UNII-2A, UNII-2C is chosen for the testing.  
Therefore, We performed the only UNII-2C test

## 6. DESCRIPTION OF DYNAMIC FREQUENCY SELECTION TEST

### 6.1 Requirements

KDB905462 D02 v02(04/08/2016) the following are the requirements for Client Devices:

- a) A Client Device will not transmit before having received appropriate control signals from a Master Device.
- b) A Client Device will stop all its transmissions whenever instructed by a Master Device to which it is associated and will meet the Channel Move Time and Channel Closing Transmission Time requirements.  
The Client Device will not resume any transmissions until it has again received control signals from a Master Device.
- c) If a Client Device is performing In-Service Monitoring and detects a Radar Waveform above the DFS Detection Threshold, it will inform the Master Device. This is equivalent to the Master Device detecting the Radar Waveform and d) through f) of section 5.1.1(KDB905462 D02 v02) apply.
- d) Irrespective of Client Device or Master Device detection the Channel Move Time and Channel Closing Transmission Time requirements remain the same.

## 6.2 Limit

| Parameter                         | Value  |
|-----------------------------------|--|
| Non-occupancy period              | Minimum 30 minutes   |
| Channel Availability Check Time   | 60 seconds   |
| Channel Move Time                 | 10 seconds<br>See Note 1.  |
| Channel Closing Transmission Time | 200 milliseconds + an Aggregate of 60 milliseconds over Remaining 10 second period. See Notes 1 and 2. |
| U-NII Detection Bandwidth         | Minimum 100 % of the U-NII 99 % transmission Power bandwidth. See Note 3.                              |

**Note 1:**

Channel Move Time and the Channel Closing Transmission Time should be performed with Radar Type 0. The measurement timing begins at the end of the Radar Type 0 burst.

**Note 2:**

The Channel Closing Transmission Time is comprised of 200 milliseconds starting at the beginning of The Channel Move Time plus any additional intermittent control signals required to facilitate a Channel move (an aggregate of 60 milliseconds) during the remainder of the 10 second period. The aggregate duration of control signals will not count quiet periods in between transmissions.

**Note3:**

During the U-NII Detection Bandwidth detection test, radar type 0 should be used.

For each frequency step the minimum percentage of detection is 90 percent. Measurements are performed With no data traffic.



### 6.3 DFS detection threshold values

The DFS detection thresholds are defined for Master devices and Client Devices with In-service monitoring. These detection thresholds are listed in the following table.

| Maximum Transmit Power | Value<br>(See Notes 1 and 2) |
|------------------------|------------------------------|
| ≥ 200 milliwatt        | -64 dBm                      |
| < 200 milliwatt        | -62 dBm                      |

**Note 1:**

This is the level at the input of the receiver assuming a 0 dBi receive antenna.

**Note 2:**

Throughout these test procedures an additional 1 dB has been added to the amplitude of the test transmission waveforms to account for variations in measurement equipment. This will ensure that the test signal is at or above the detection threshold level to trigger a DFS response.

### 6.4 DFS test signals

As the EUT is a Client Device with no Radar Detection only one type radar pulse is required for the testing. Radar Pulse type 0 was used in the evaluation of the Client device for the purpose of measuring the Channel Move Time and the Channel Closing Transmission Time.

| Radar Type  | Pulse Width (μsec) | PRI (μsec)  | Number Of Pulses  | Minimum Percentage of Successful Detection | Minimum Number of Trials |
|---|--------------------|---|---|--|--------------------------|
| 0   | 1                  | 1428  | 18  | See Note 1                                 | See Note 1               |
| 1   | 1                  | Test A: 15 unique PRI values Randomly selected From the list of 23 PRI values in Table 5a   | Roundup $\left\{ \begin{array}{l} \frac{1 \mu}{360 \mu} \\ \frac{19 \cdot 10^8 \mu}{\text{PRI } \mu \text{sec}^2} \end{array} \right\}$ | 60%  | 30                       |
|   |                    | Test B: 15 unique PRI values Randomly selected within the range of 518-3066 μ sec, with a minimum increment of 1 μ sec, excluding PRI values selected in Test A |   |  |                          |
| 2   | 1-5                | 150-230   | 23-29   | 60%  | 30                       |
| 3   | 6-10               | 200-500   | 16-18   | 60%  | 30                       |
| 4   | 11-20              | 200-500   | 12-16   | 60%  | 30                       |
| Aggregate (Radar Types 1-4)   |                    |   |   | 80%  | 120                      |
| <b>Note1:</b><br>Short pulse Radar Type 0 should be used for the detection bandwidth test, channel move time, and channel closing time tests. |                    |   |   |  |                          |

## 6.5 Test and measurement system

### General Test Setup Procedure:

1. Connect FCC approved Master AP to a network, via wired Ethernet, that allows connection to an FTP server.
2. Associate the EUT with the Master AP.
3. Launch the FTP application on the EUT.
4. Connect to the FTP server application to the FTP server hosting the file
5. Initiate an FTP download of the file from the host.
6. Monitor the channel loading during transfer.
7. Reduce the maximum allowed data rate for the Master AP, using the AP's GUI interface.
8. Repeat steps 4-6 until the channel loading is as close to 20 % as possible.
9. Record the data rate setting on the Master AP and the channel loading.
10. While the system is performing an FTP transfer using the settings from item 8 above, perform the Channel Closing Transmission Time and Channel Move Time Measurements as required by KDB905462 D02 v02 using a conducted test.

### System calibrations

A-50-ohm load is connected in place of the spectrum analyzer, and the spectrum analyzer is connected to a coaxial cable. The signal generator is set to CW mode. The amplitude of the signal generator is adjusted to yield a level of - 62 dBm as measured on the spectrum analyzer.

Without changing any of the instrument settings, the spectrum analyzer is reconnected to the common port of the spectrum analyzer combiner or divider.

The spectrum analyzer displays the level of the signal generator higher than the client TX level. Because we can not search the signal generator in the spectrum analyzer when the signal generator level is - 62 dBm.

The spectrum analyzer will still indicate the level higher than the client TX level.

**Procedure**

The KDB905462 D02 v02 describes a radiated test setup and a conducted test setup.

A radiated test setup was used for this testing. Figure 7-1 shows the typical test setup.

Each one channel selected between UNII-2A, UNII-2C is chosen for the testing.

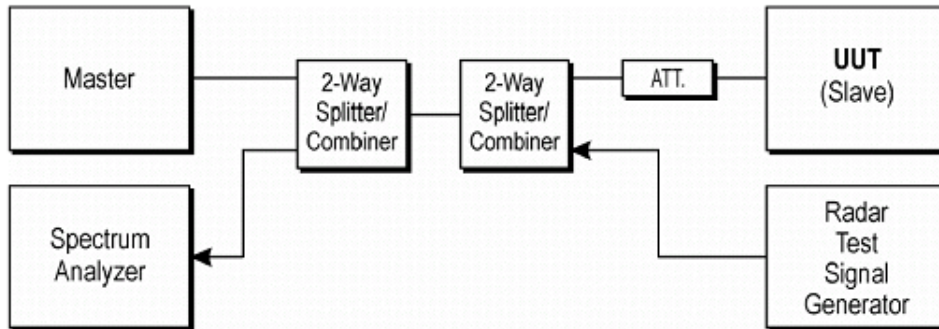
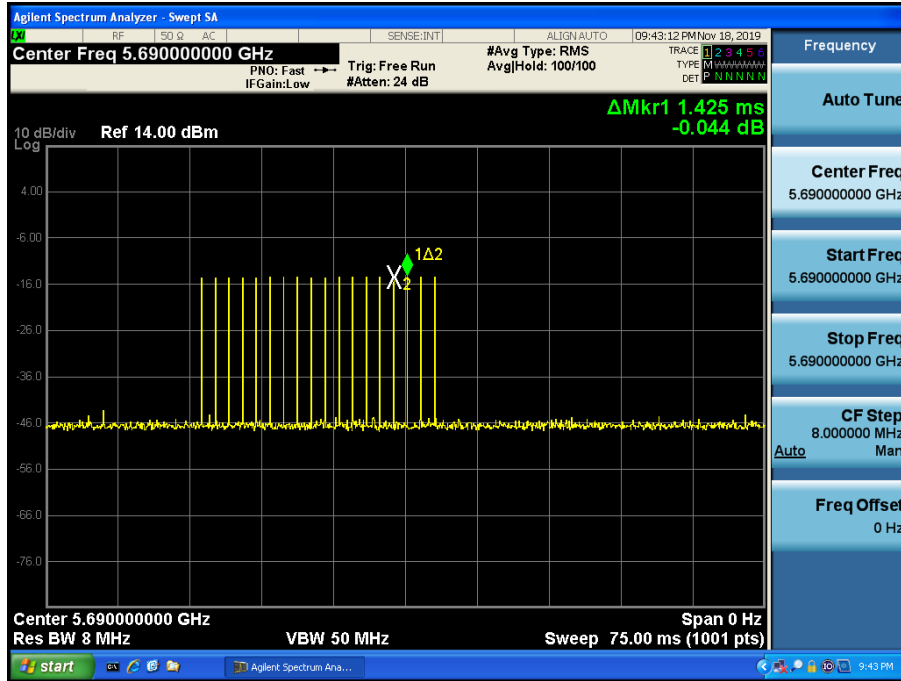


Figure 7-1. Test Setup

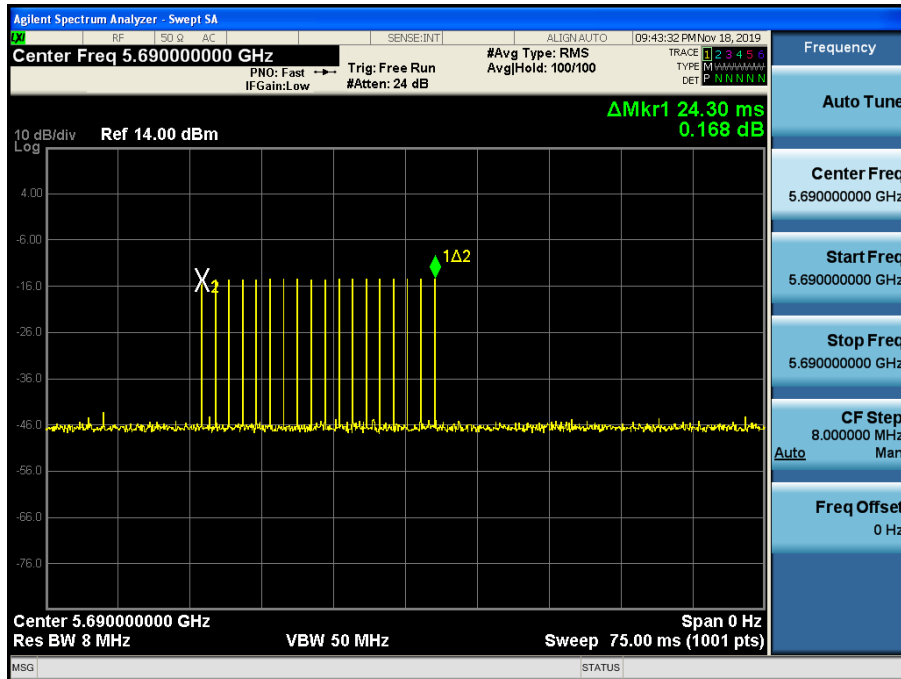
1. The radar pulse generator is setup to provide a pulse at the frequency that the Master and Client are operating. A Type 0 radar pulse with a 1  $\mu$ s pulse width and a 1428  $\mu$ s PRI is used for the testing.
2. The vector signal generator is adjusted to provide the radar burst (18 pulses) at a level of approximately -62 dBm at the antenna of the Master device.
3. The Client Device (EUT) is set up per the diagram in Figure 3-1 and communications between the Master device and the Client is established.
4. The MPEG file specified by the FCC ("*6½ Magic Hours*") is streamed from the "file computer" through the Master to the Slave Device and played in full motion video using Media Player Classic Ver.6.4.8.6 in order to properly load the network.
5. The spectrum analyzer is set to record about 15 sec window to any transmissions occurring up to and after 10 sec.
6. The system is again setup and the monitoring time is shortened in order to capture the Channel Closing Transmission Time. This time is measured to insure that the Client ceases transmission within 200 ms and the aggregate of emissions occurring after 200 ms up to 10 sec do not exceed 60 ms.  
(Note: the channel may be different since the Master and Client have changed channels due to the detection of the initial radar pulse.)
7. After the initial radar burst the channel is monitored for 30 minutes to insure no transmissions or beacons occur. A second monitoring setup is used to verify that the Master and Client have both moved to different channels.

**6.6 TEST RESULT**

**Type0 : PRI**



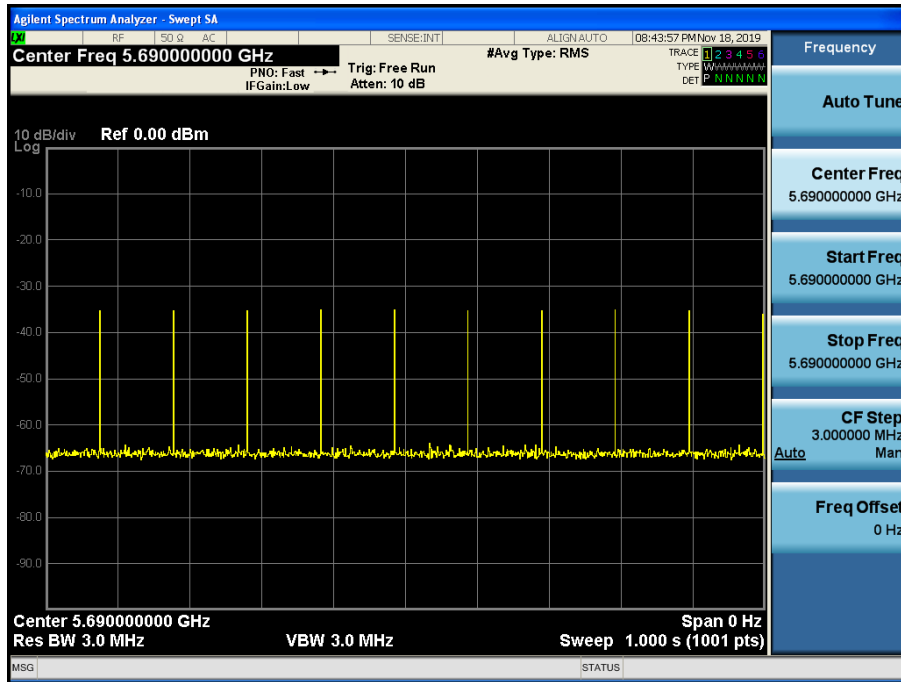
**Type0 : Radar Pulse Number**



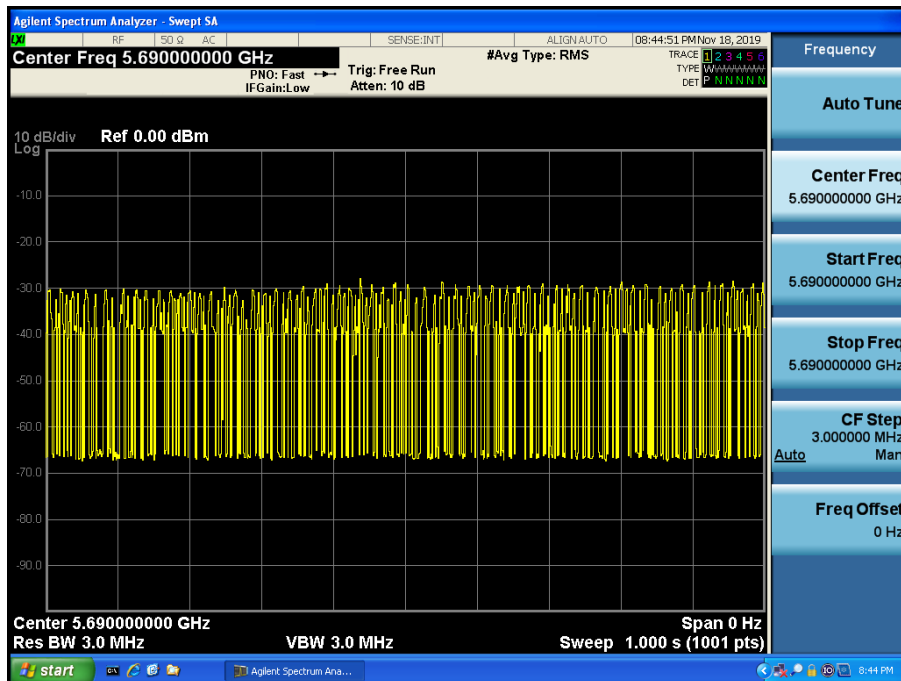
Marker Descriptions:

Number of Pulse Form M1R to M1 : 18

**Time Display, Non WLAN Channel Traffic**



**Time Display, WLAN Channel Traffic (Streaming Video)**



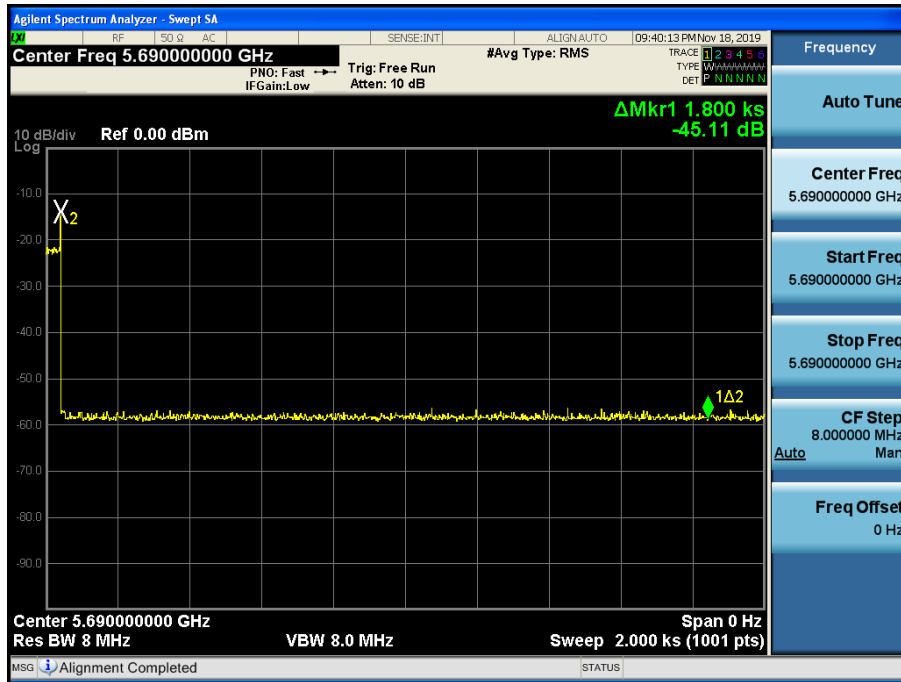
**Channel Move Time & Channel Closing Transmission Time**



**Note:**

1. Test BW : 802.11ac(VHT80)
2. Test Channel : 138
3. Channel Move Time : 0.197601s (Limit : 10 s)
4. Channel Closing Transmission Time, Aggregate Time After 200 ms : 0.000000s (Limit : 60 ms)

**Non-occupancy Period – Monitoring live time spectrum analyzer – Elapse time 30 minutes**



**Note:**

1. Test BW : 802.11ac(VHT80)
2. Test Channel : 138



**7. LIST OF TEST EQUIPMENT**

| <b>Manufacturer</b>    | <b>Model / Equipment</b>                 | <b>Calibration Date</b> | <b>Calibration Interval</b> | <b>Serial No.</b>                  |
|------------------------|--|-------------------------|-----------------------------|------------------------------------|
| SAMSUNG<br>ELECTRONICS | WEA453e /<br>Wireless AP (Master Device) | N/A                     | N/A                         | S2LF812265<br>(FCC ID: A3LWEA453E) |
| ADLINK                 | PXI/DFS Measurement System(S/G)          | 03/20/2019              | Annual                      | 302581/735                         |
| ADLINK                 | PXI/DFS Measurement System(S/A)          | 03/20/2019              | Annual                      | 303582/113                         |
| Agilent                | N9020A / Signal Analyzer                 | 05/23/2019              | Annual                      | MY51110085                         |
| Weinschel              | AF9003-69-31 / Step Attenuator           | 10/14/2019              | Annual                      | 5701                               |
| Cernex                 | CDPU5260404K / 4 Way Power Divider       | 03/04/2019              | Annual                      | 14695                              |
| Narda                  | 4426-4 / 4 Way Power Divider             | 01/30/2019              | Annual                      | 11927                              |

**8. ANNEX A\_ TEST SETUP PHOTO**

Please refer to test setup photo file no. as follows;

| No. | Description         |
|-----|---------------------|
| 1   | HCT-RF-2001-FC016-P |