

HAC-RF Emission

Communication System: UID 0, CW; Frequency: 835 MHz; Duty Cycle: 1:1

Phantom section: RF Section

DASY5 Configuration:

- Probe: EF3DV3 - SN4028; ConvF(1, 1, 1); Calibrated: 7/13/2018;
- Sensor-Surface: (Fix Surface)
- Electronics: DAE4 Sn1472; Calibrated: 3/8/2018
- Phantom: HAC Test Arch with AMCC; Type: SD HAC P01 BB
- Measurement SW: DASY52, Version 52.8 (7);SEMCAD X Version 14.6.10 (7164)

Dipole E-Field measurement 835MHz/835 MHz/Hearing Aid Compatibility Test at 15mm distance (41x361x1):

Interpolated grid: dx=0.5000 mm, dy=0.5000 mm

Device Reference Point: 0, 0, -6.3 mm

Reference Value = 138.7 V/m; Power Drift = -0.11 dB

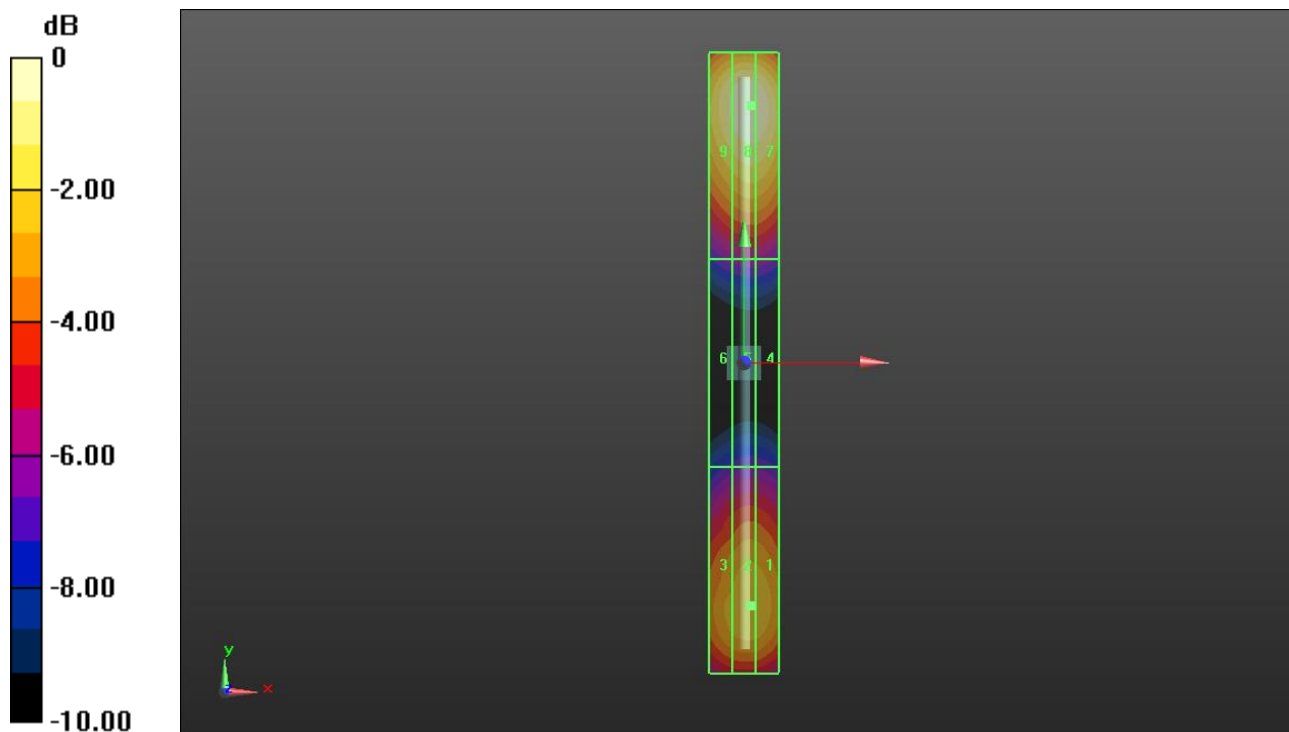
PMR not calibrated. PMF = 1.000 is applied.

E-field emissions = 133.2 V/m

Near-field category: **M4 (AWF 0 dB)**

PMF scaled E-field

Grid 1 M4 105.1 V/m	Grid 2 M4 105.7 V/m	Grid 3 M4 101.9 V/m
Grid 4 M4 66.10 V/m	Grid 5 M4 66.22 V/m	Grid 6 M4 63.68 V/m
Grid 7 M4 132.5 V/m	Grid 8 M4 133.2 V/m	Grid 9 M4 126.0 V/m



0 dB = 133.2 V/m = 42.49 dBV/m

HAC-RF Emission

Communication System: UID 0, CW; Frequency: 1880 MHz; Duty Cycle: 1:1

Phantom section: RF Section

DASY5 Configuration:

- Probe: EF3DV3 - SN4028; ConvF(1, 1, 1); Calibrated: 7/13/2018;
- Sensor-Surface: (Fix Surface)
- Electronics: DAE4 Sn1472; Calibrated: 3/8/2018
- Phantom: HAC Test Arch with AMCC; Type: SD HAC P01 BB
- Measurement SW: DASY52, Version 52.8 (7);SEMCAD X Version 14.6.10 (7164)

Dipole E-Field Measurement 1880MHz/1880 MHz/Hearing Aid Compatibility Test at 15mm distance (41x181x1):

Interpolated grid: dx=0.5000 mm, dy=0.5000 mm

Device Reference Point: 0, 0, -6.3 mm

Reference Value = 166.7 V/m; Power Drift = -0.05 dB

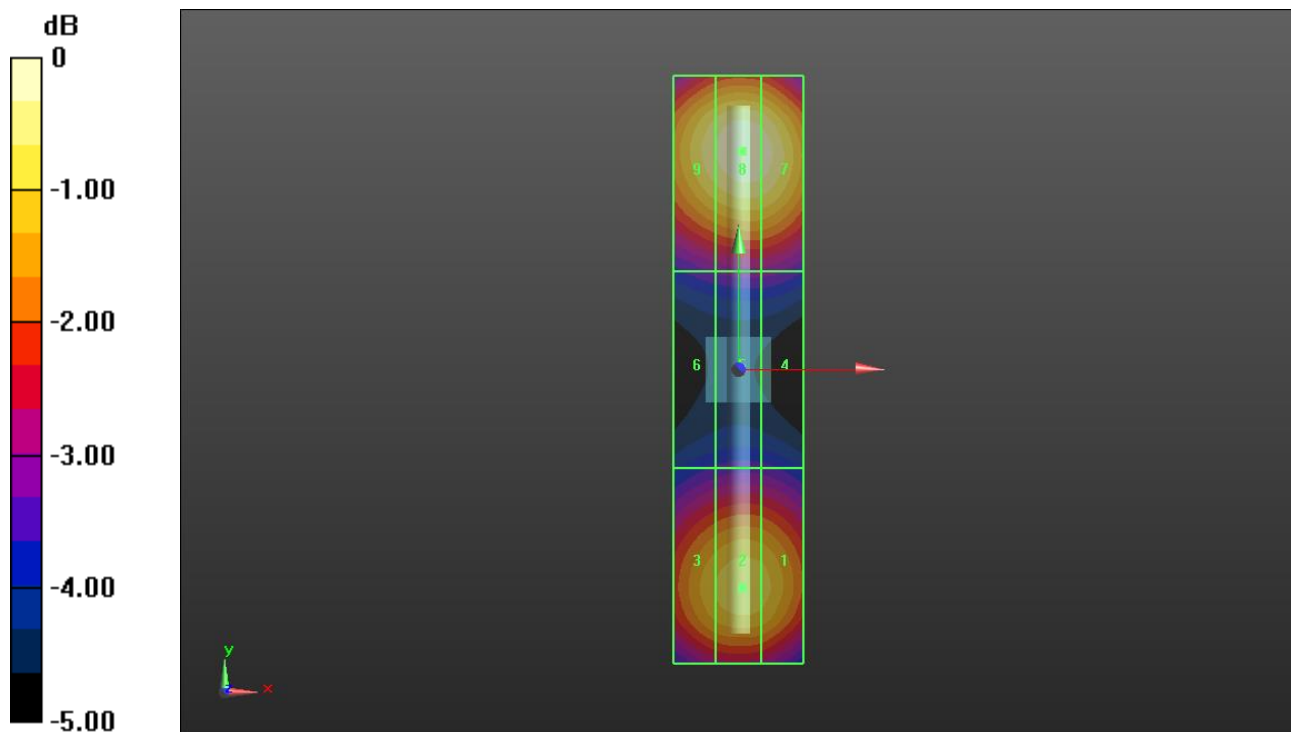
PMR not calibrated. PMF = 1.000 is applied.

E-field emissions = 98.78 V/m

Near-field category: **M3 (AWF 0 dB)**

PMF scaled E-field

Grid 1 M3 89.77 V/m	Grid 2 M3 90.79 V/m	Grid 3 M3 88.33 V/m
Grid 4 M3 68.87 V/m	Grid 5 M3 68.95 V/m	Grid 6 M3 67.61 V/m
Grid 7 M3 97.64 V/m	Grid 8 M3 98.78 V/m	Grid 9 M3 95.30 V/m



0 dB = 98.78 V/m = 39.89 dBV/m

HAC-RF Emission

Communication System: UID 0, CW (0); Frequency: 2450 MHz; Duty Cycle: 1:1

Phantom section: RF Section

DASY5 Configuration:

- Probe: EF3DV3 - SN4028; ConvF(1, 1, 1); Calibrated: 7/13/2018;
- Sensor-Surface: (Fix Surface)
- Electronics: DAE4 Sn1472; Calibrated: 3/8/2018
- Phantom: HAC Test Arch with AMCC; Type: SD HAC P01 BB
- Measurement SW: DASY52, Version 52.8 (7);SEMCAD X Version 14.6.10 (7164)

Dipole E-Field Measurement 2450MHz/2450 MHz/Hearing Aid Compatibility Test at 15mm distance (41x181x1):

Interpolated grid: dx=0.5000 mm, dy=0.5000 mm

Device Reference Point: 0, 0, -6.3 mm

Reference Value = 82.56 V/m; Power Drift = -0.04 dB

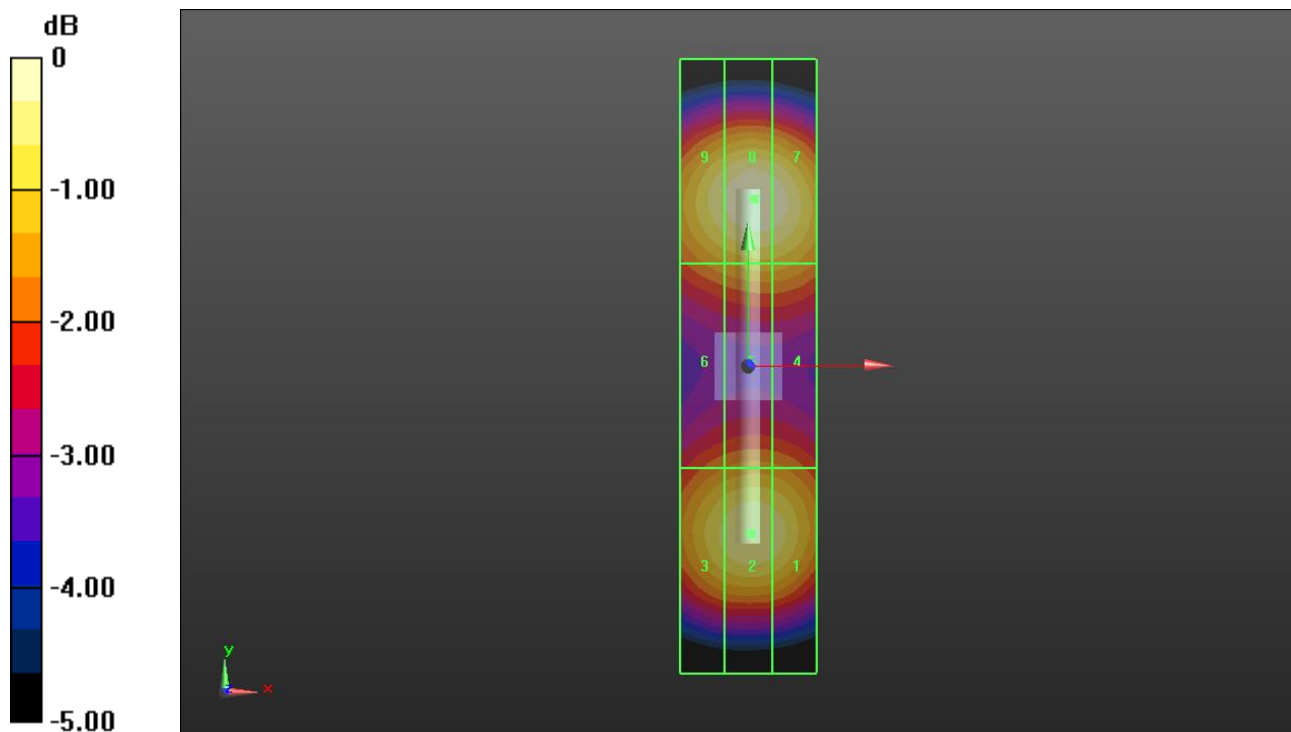
PMR not calibrated. PMF = 1.000 is applied.

E-field emissions = 93.62 V/m

Near-field category: **M3 (AWF 0 dB)**

PMF scaled E-field

Grid 1 M3 89.14 V/m	Grid 2 M3 90.29 V/m	Grid 3 M3 87.69 V/m
Grid 4 M3 82.21 V/m	Grid 5 M3 82.27 V/m	Grid 6 M3 79.82 V/m
Grid 7 M3 92.89 V/m	Grid 8 M3 93.62 V/m	Grid 9 M3 90.27 V/m



0 dB = 93.62 V/m = 39.43 dBV/m

HAC-RF Emission

Communication System: UID 0, CW (0); Frequency: 2600 MHz; Duty Cycle: 1:1

Phantom section: RF Section

DASY5 Configuration:

- Probe: EF3DV3 - SN4028; ConvF(1, 1, 1); Calibrated: 7/13/2018;
- Sensor-Surface: (Fix Surface)
- Electronics: DAE4 Sn1472; Calibrated: 3/8/2018
- Phantom: HAC Test Arch with AMCC; Type: SD HAC P01 BB
- Measurement SW: DASY52, Version 52.8 (7);SEMCAD X Version 14.6.10 (7164)

Dipole E-Field Measurement 2600MHz/2600 MHz/Hearing Aid Compatibility Test at 15mm distance (41x181x1):

Interpolated grid: dx=0.5000 mm, dy=0.5000 mm

Device Reference Point: 0, 0, -6.3 mm

Reference Value = 70.82 V/m; Power Drift = -0.02 dB

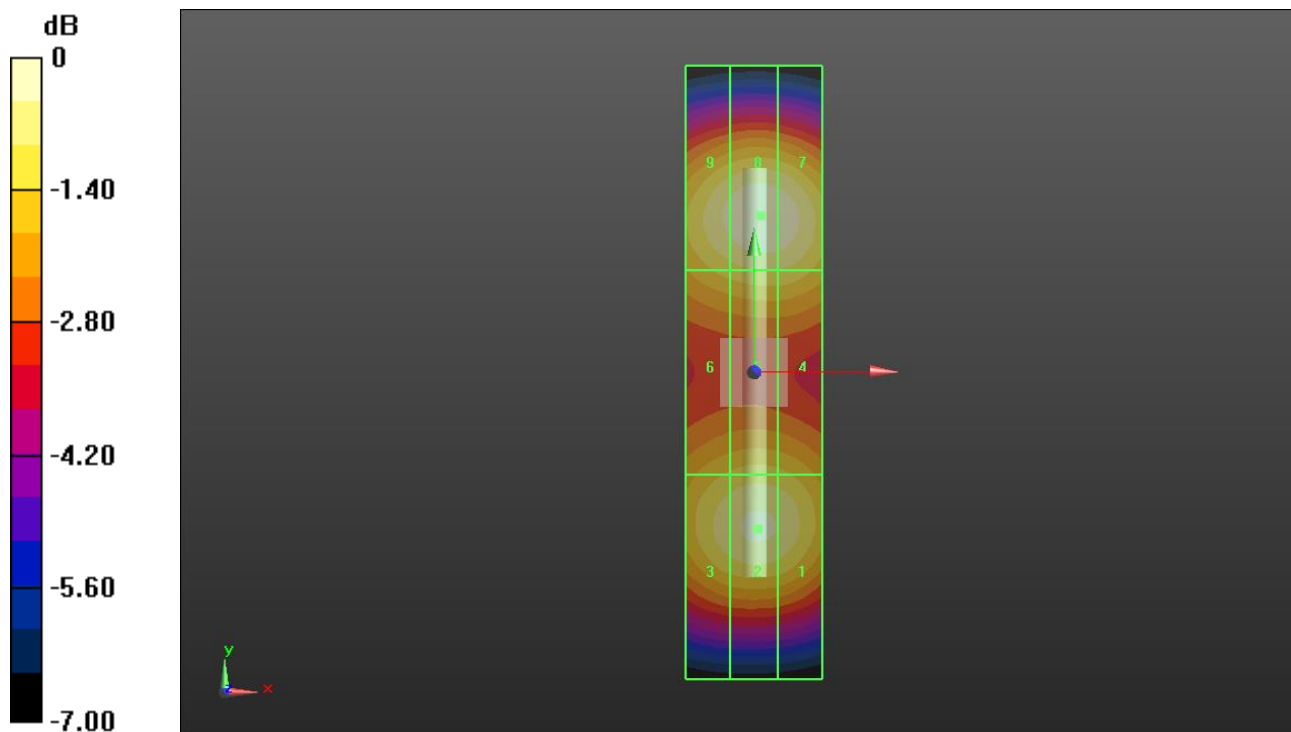
PMR not calibrated. PMF = 1.000 is applied.

E-field emissions = 93.69 V/m

Near-field category: **M3 (AWF 0 dB)**

PMF scaled E-field

Grid 1 M3 88.56 V/m	Grid 2 M3 89.79 V/m	Grid 3 M3 87.46 V/m
Grid 4 M3 84.25 V/m	Grid 5 M3 84.41 V/m	Grid 6 M3 82.05 V/m
Grid 7 M3 92.88 V/m	Grid 8 M3 93.69 V/m	Grid 9 M3 90.28 V/m



0 dB = 93.69 V/m = 39.43 dBV/m