

HAC-RF Emission

Communication System: UID 0, CW (0); Frequency: 835 MHz; Duty Cycle: 1:1

Phantom section: RF Section

DASY5 Configuration:

- Probe: EF3DV3 - SN4064; ConvF(1, 1, 1); Calibrated: 2018-11-15;
- Sensor-Surface: (Fix Surface)
- Electronics: DAE4 Sn1447; Calibrated: 2018-03-15
- Phantom: HAC Test Arch with AMCC; Type: SD HAC P01 BB
- Measurement SW: DASY52, Version 52.8 (8); SEMCAD X Version 14.6.10 (7331)

Dipole E-Field measurement 835MHz/835 MHz/Hearing Aid Compatibility Test at 15mm distance (41x361x1): Interpolated grid: dx=0.5000 mm, dy=0.5000 mm

Device Reference Point: 0, 0, -6.3 mm

Reference Value = 133.9 V/m; Power Drift = -0.01 dB

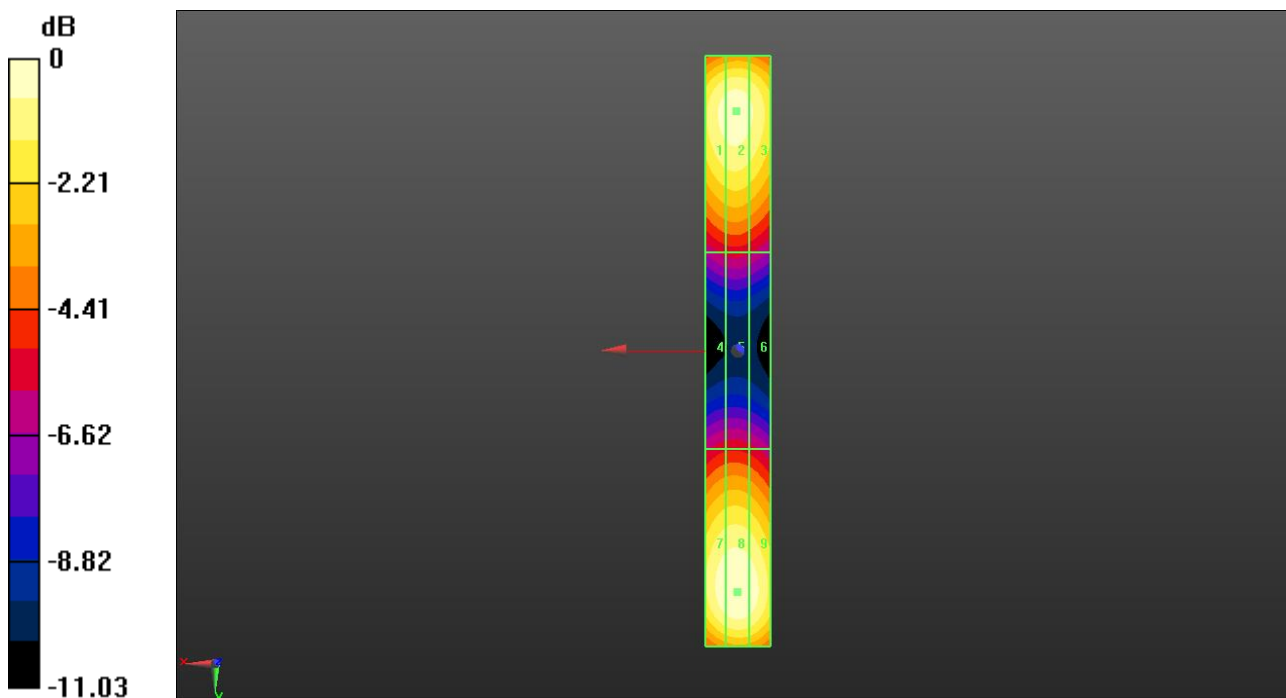
PMR not calibrated. PMF = 1.000 is applied.

E-field emissions = 120.1 V/m

Near-field category: **M4 (AWF 0 dB)**

PMF scaled E-field

Grid 1 M4 114.7 V/m	Grid 2 M4 116.4 V/m	Grid 3 M4 112.5 V/m
Grid 4 M4 65.59 V/m	Grid 5 M4 66.01 V/m	Grid 6 M4 64.21 V/m
Grid 7 M4 117.6 V/m	Grid 8 M4 120.1 V/m	Grid 9 M4 116.8 V/m



0 dB = 120.1 V/m = 41.59 dBV/m

HAC-RF Emission

Communication System: UID 0, CW (0); Frequency: 1880 MHz; Duty Cycle: 1:1

Phantom section: RF Section

DASY5 Configuration:

- Probe: EF3DV3 - SN4064; ConvF(1, 1, 1); Calibrated: 2018-11-15;
- Sensor-Surface: (Fix Surface)
- Electronics: DAE4 Sn1447; Calibrated: 2018-03-15
- Phantom: HAC Test Arch with AMCC; Type: SD HAC P01 BB
- Measurement SW: DASY52, Version 52.8 (8); SEMCAD X Version 14.6.10 (7331)

Dipole E-Field measurement 1880MHz/1880 MHz/Hearing Aid Compatibility Test at 15mm distance (41x181x1): Interpolated grid: dx=0.5000 mm, dy=0.5000 mm

Device Reference Point: 0, 0, -6.3 mm

Reference Value = 146.1 V/m; Power Drift = 0.00 dB

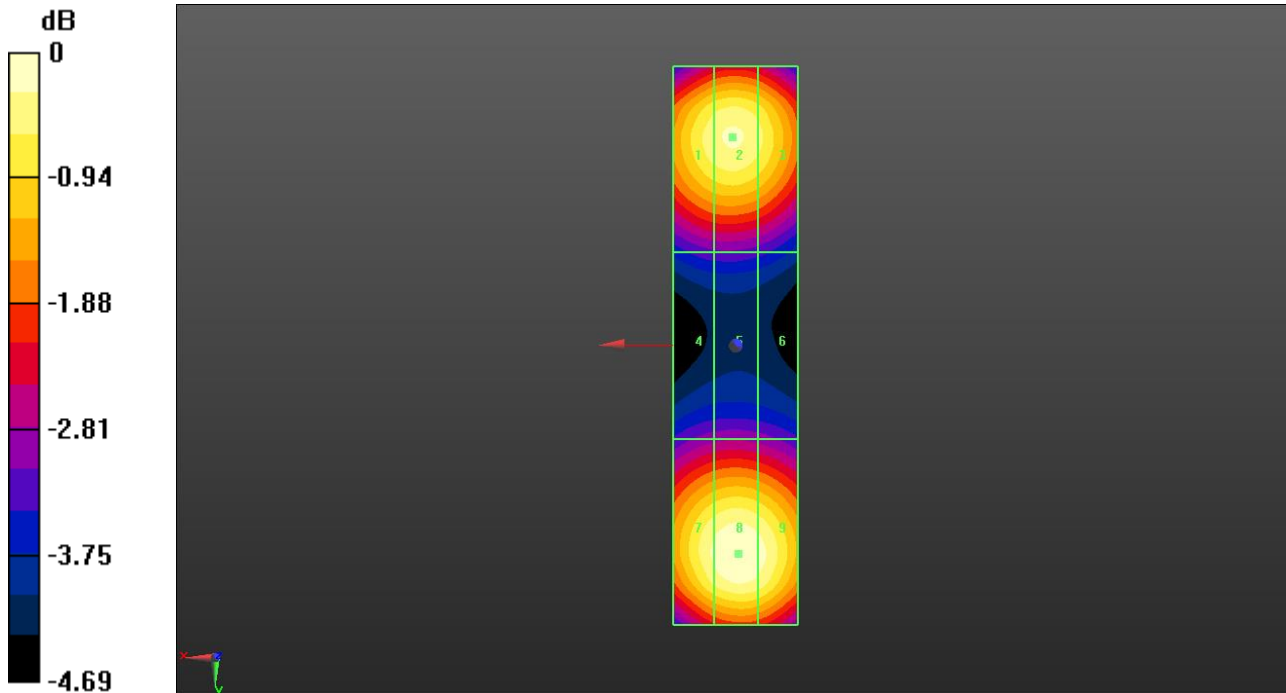
PMR not calibrated. PMF = 1.000 is applied.

E-field emissions = 88.79 V/m

Near-field category: **M3 (AWF 0 dB)**

PMF scaled E-field

Grid 1 M3 84.81 V/m	Grid 2 M3 86.25 V/m	Grid 3 M3 83.80 V/m
Grid 4 M3 63.54 V/m	Grid 5 M3 64.05 V/m	Grid 6 M3 63.35 V/m
Grid 7 M3 86.35 V/m	Grid 8 M3 88.79 V/m	Grid 9 M3 87.32 V/m



0 dB = 88.79 V/m = 38.97 dBV/m

HAC-RF Emission

Communication System: UID 0, CW (0); Frequency: 2600 MHz; Duty Cycle: 1:1

Phantom section: RF Section

DASY5 Configuration:

- Probe: EF3DV3 - SN4064; ConvF(1, 1, 1); Calibrated: 2018-11-15;
- Sensor-Surface: (Fix Surface)
- Electronics: DAE4 Sn1447; Calibrated: 2018-03-15
- Phantom: HAC Test Arch with AMCC; Type: SD HAC P01 BB
- Measurement SW: DASY52, Version 52.8 (8); SEMCAD X Version 14.6.10 (7331)

Dipole E-Field measurement 2600MHz/2600 MHz/Hearing Aid Compatibility Test at 15mm distance (41x181x1): Interpolated grid: dx=0.5000 mm, dy=0.5000 mm

Device Reference Point: 0, 0, -6.3 mm

Reference Value = 67.51 V/m; Power Drift = 0.00 dB

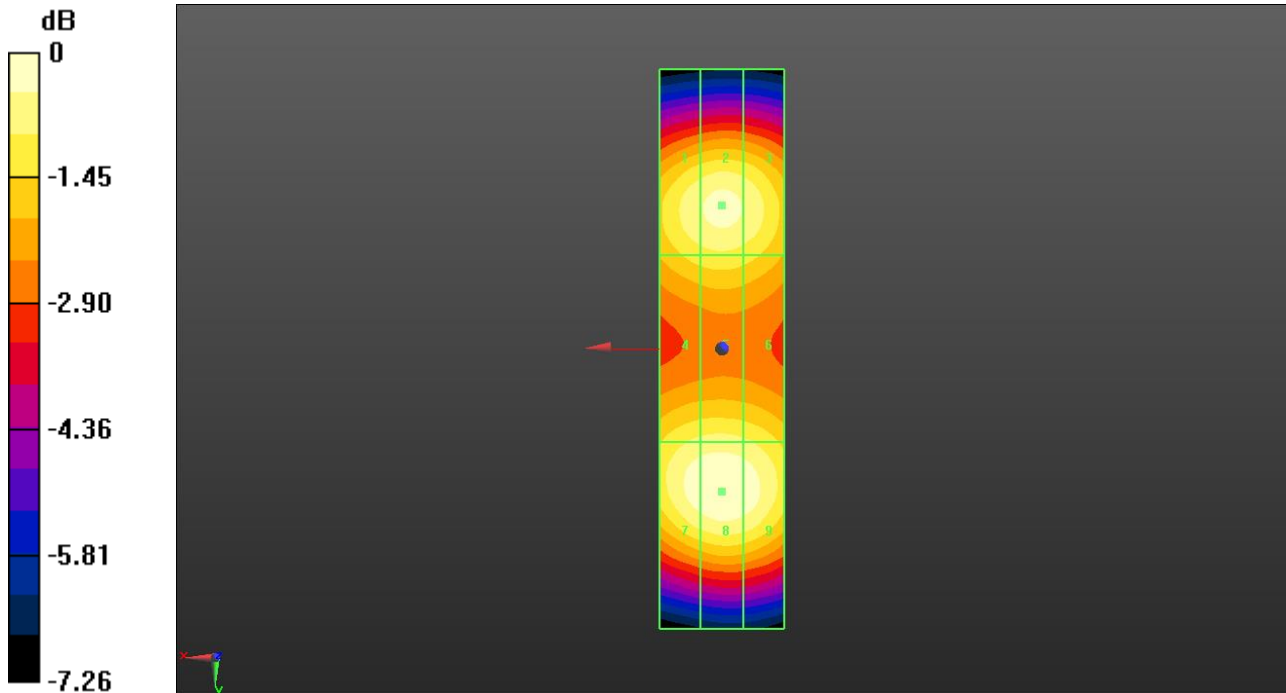
PMR not calibrated. PMF = 1.000 is applied.

E-field emissions = 89.58 V/m

Near-field category: **M3 (AWF 0 dB)**

PMF scaled E-field

Grid 1 M3 84.29 V/m	Grid 2 M3 86.41 V/m	Grid 3 M3 84.47 V/m
Grid 4 M3 81.53 V/m	Grid 5 M3 82.31 V/m	Grid 6 M3 81.12 V/m
Grid 7 M3 87.84 V/m	Grid 8 M3 89.58 V/m	Grid 9 M3 87.95 V/m



0 dB = 89.58 V/m = 39.04 dBV/m