

SAMSUNG CONFIDENTIAL
 THIS DOCUMENT CONTAINS CONFIDENTIAL
 PROPRIETARY INFORMATION THAT IS
 SAMSUNG ELECTRONICS CO.'S PROPERTY.
 DO NOT DISCLOSE TO OR DUPLICATE FOR OTHERS
 EXCEPT AS AUTHORIZED BY SAMSUNG.

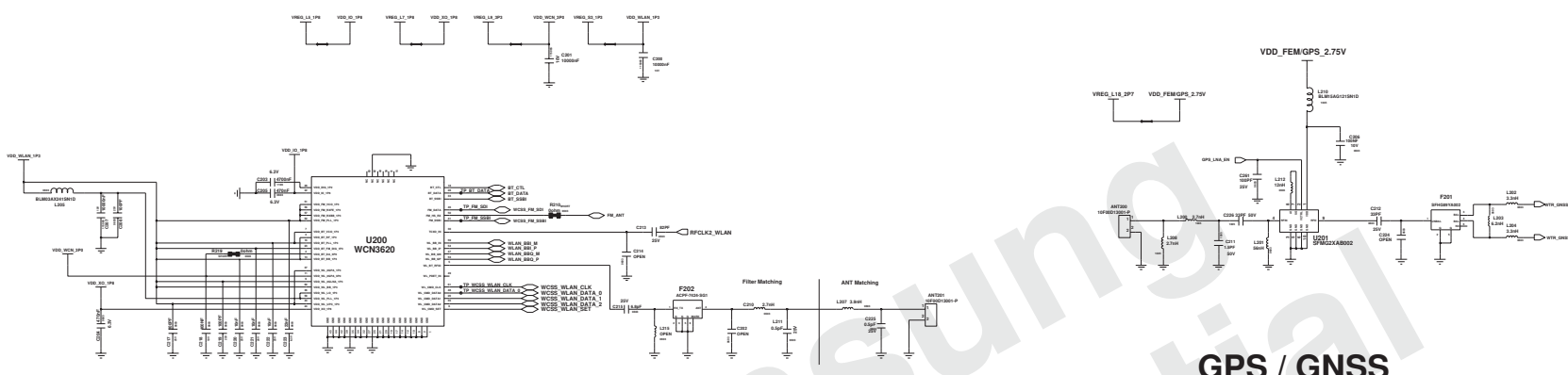
SM-G357FZ REV1.0

Samsung
 Confidential

	REFERENCE
Page 1 : RF Part I	100
Page 2 : RF Part II (GPS, BT, FM, WIFI), SENSORS	200
Page 3 : MSM8916	300
Page 4 : PMIC, MUIC, USER INTERFACE	400
Page 5 : OCTA, CAMERA, SUB	500
Page 6 : AUDIO, KEY, CONNECTOR	600

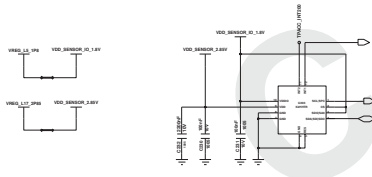
Engineer	SAMSUNG	Table of Contents	
DESIGN CRK		TITLE	Sheet 42
SDC CTRL CRK		SM-G357FZ REV1.0	
MFG ENGR CRK		Drawing Number	Sheet 1 of 7
QA CRK			

SAMSUNG CONFIDENTIAL
 THIS DOCUMENT CONTAINS CONFIDENTIAL
 SAMSUNG INFORMATION. IT IS NOT TO BE
 REPRODUCED OR TRANSMITTED IN ANY FORM
 OR BY ANY MEANS, ELECTRONIC OR MECHANICAL,
 INCLUDING PHOTOCOPYING, RECORDING, OR BY
 ANY INFORMATION STORAGE AND RETRIEVAL
 SYSTEM, WITHOUT PERMISSION IN WRITING FROM
 SAMSUNG ELECTRONICS CO., LTD.

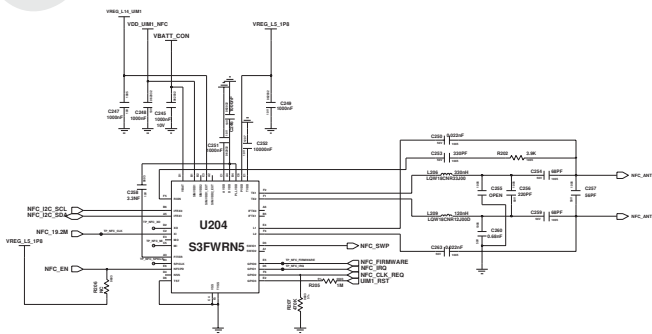


BT/WIFI/FM Module

GPS / GNSS



Accelero SENSOR



NFC

SAMSUNG ELECTRONICS	
FILE NO.	SM-G357FZ REV1.0
REV. NO.	1.0
DATE	2014.04.14
DESIGNER	
CHECKER	
APPROVER	
DATE	

