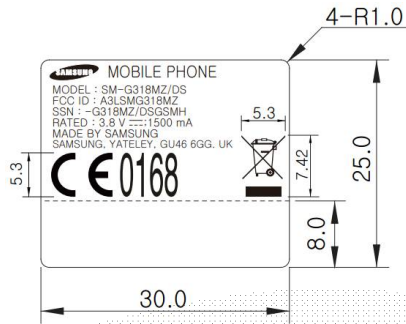


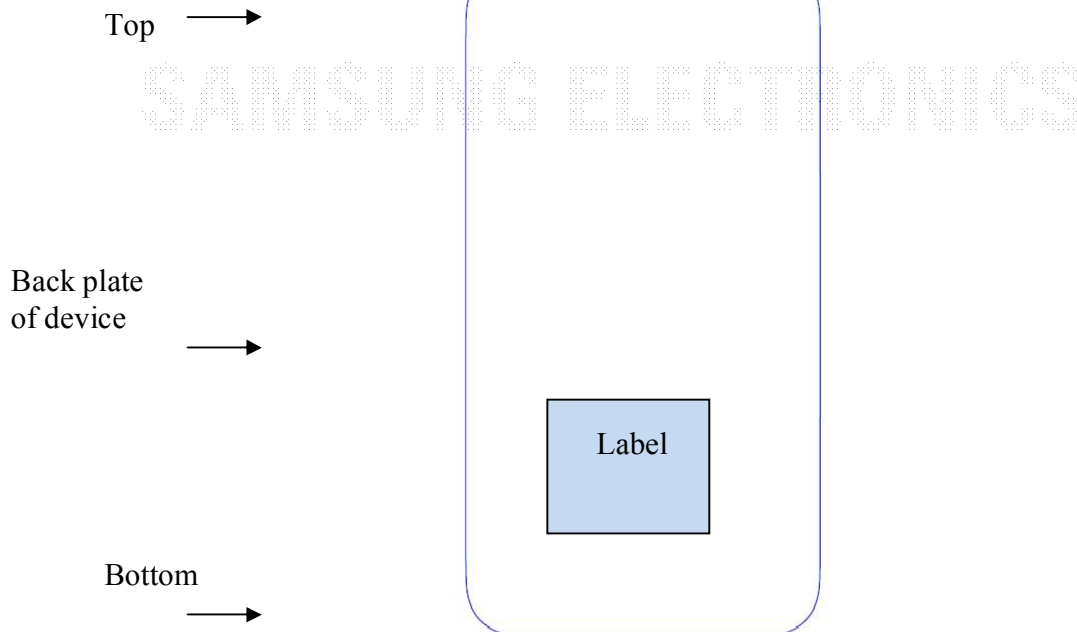
**Label and Location**

Samsung Phone Model: SM-G318MZ/DS  
FCC ID: A3LSMG318MZ

**Label:**



**Location:**



Phone: Label is placed inside of the battery compartment.

Tablet : FCC ID is printed on bottom of the device