

# FCC Approval

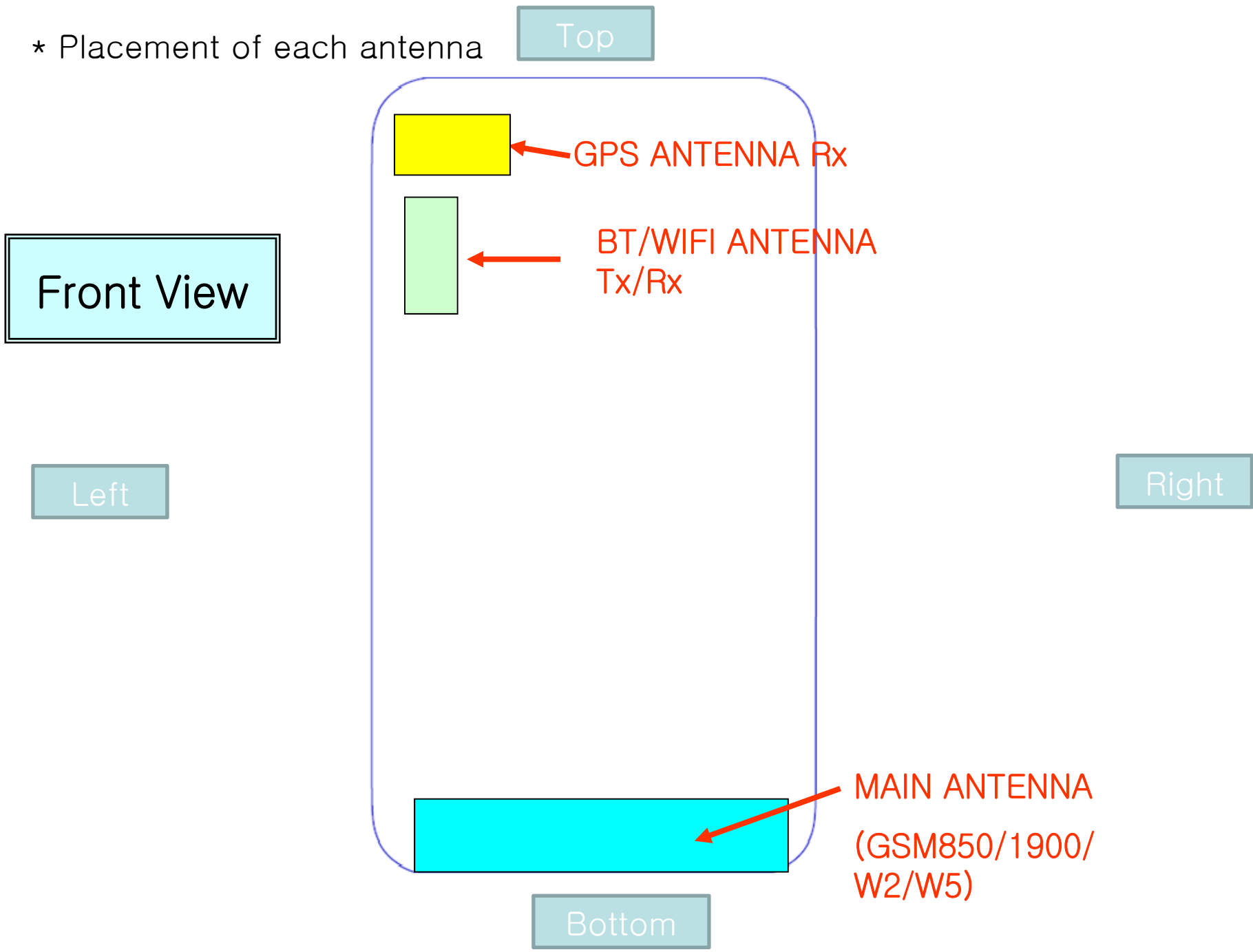
## Antenna location & Distance

FCC ID: A3LSMG316M

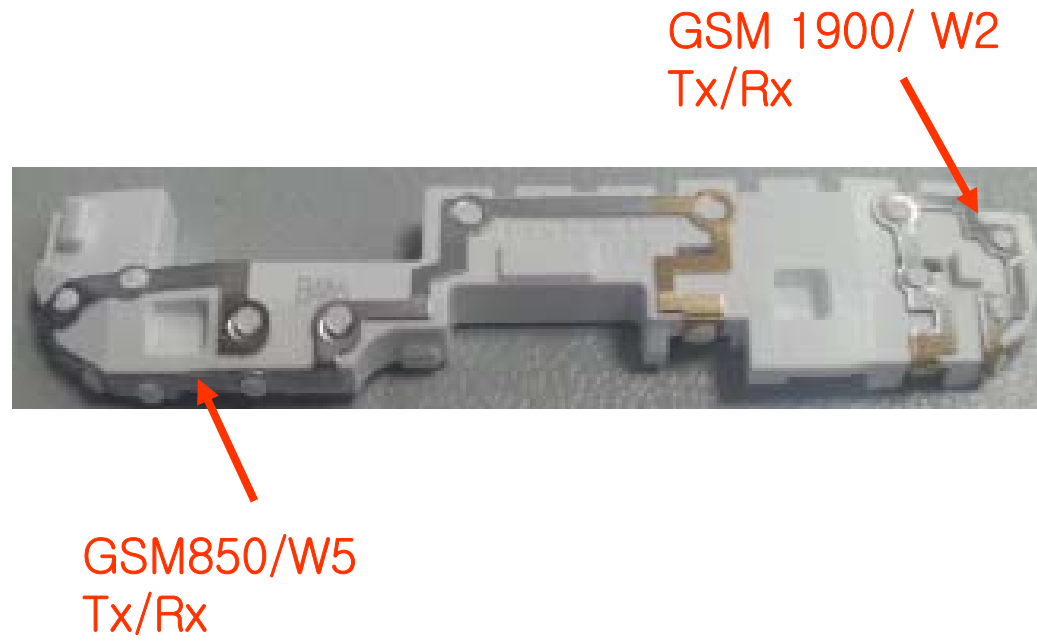
Model: SM-G316M/DS

Date: 14.11.21

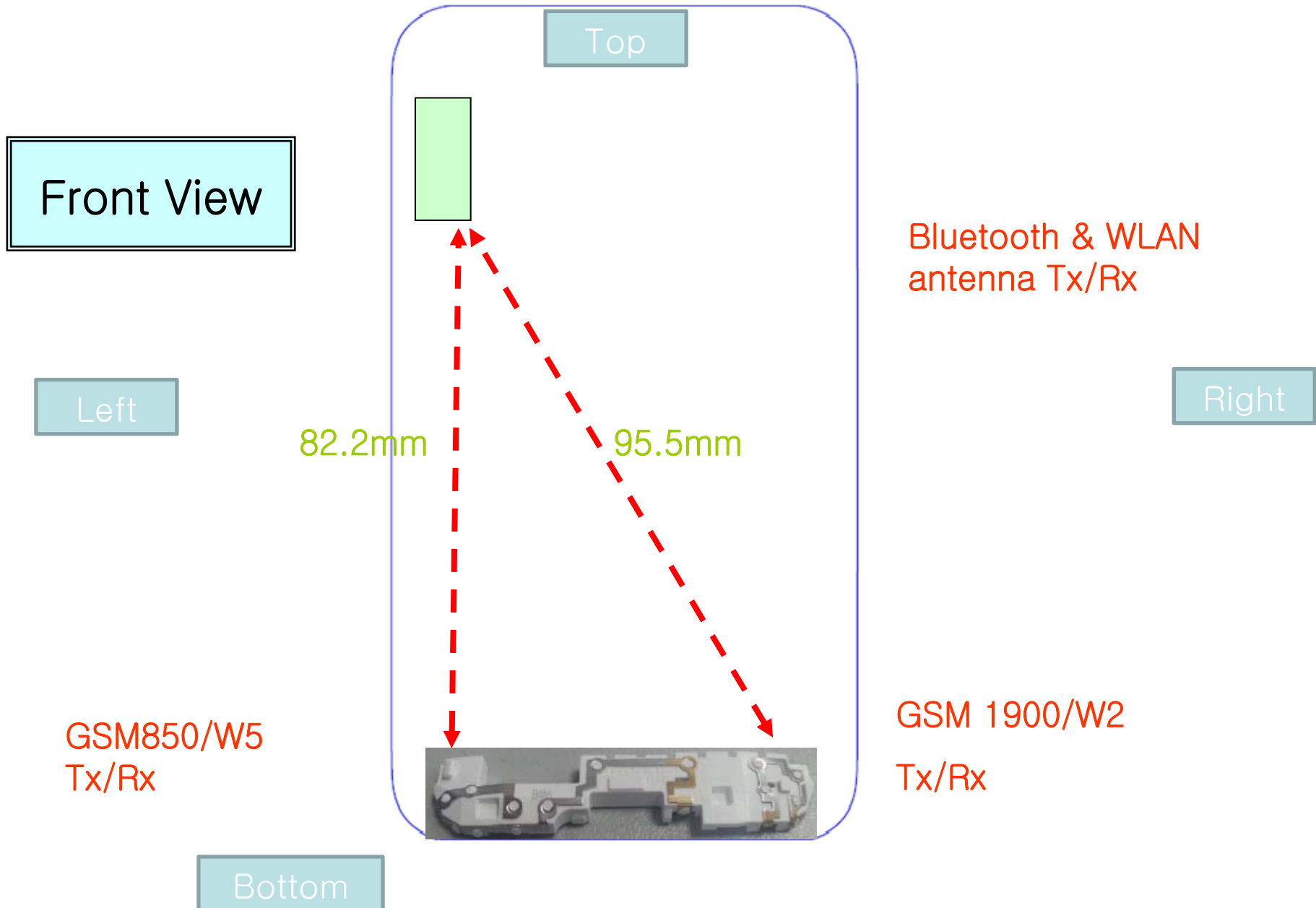
\* Placement of each antenna



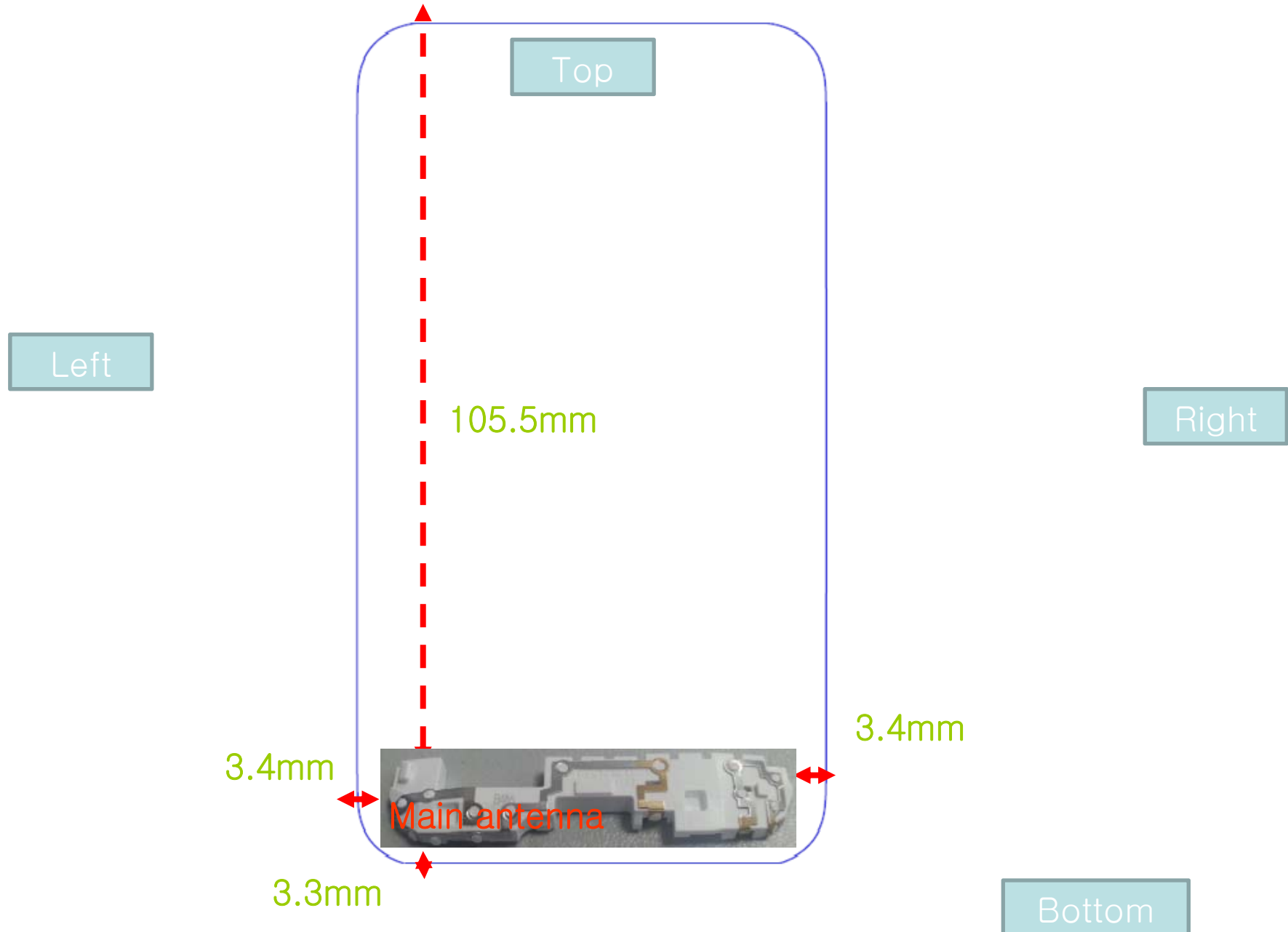
\* Antenna pattern (FCC Band만 표기)



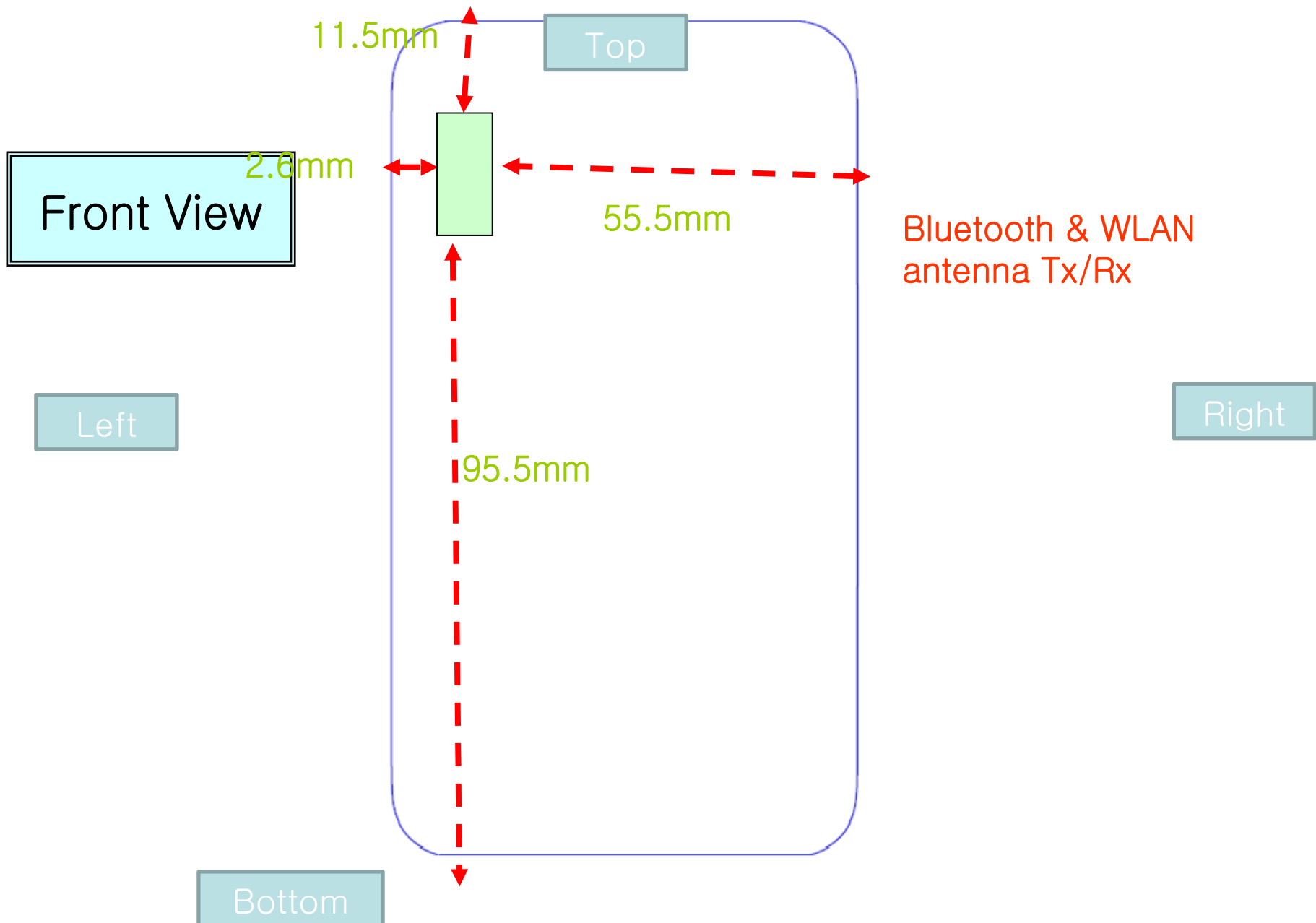
\* Distance between BT/WLAN antenna and Main antenna



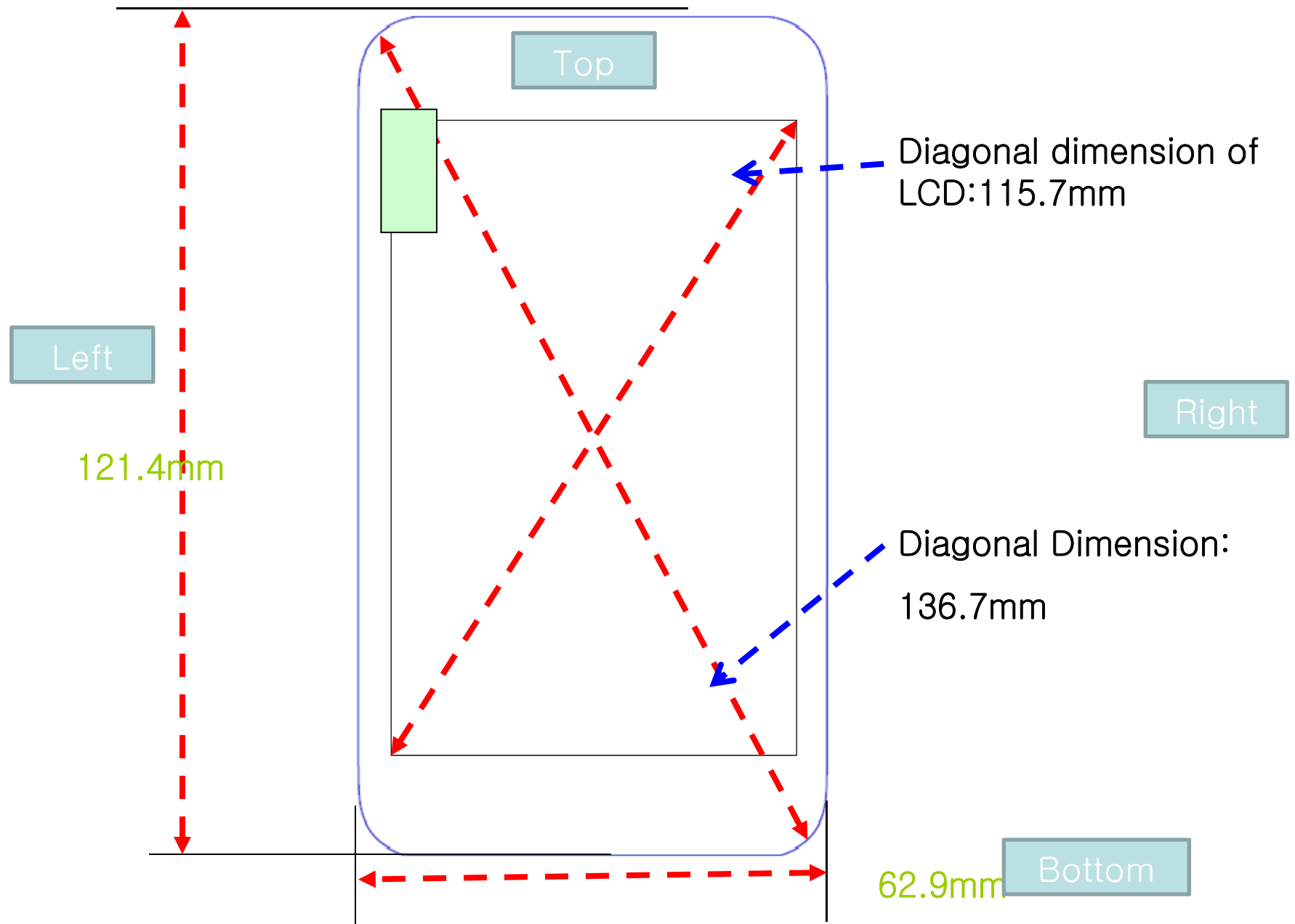
\* Distance between Main antenna and edge



\* Distance between Bluetooth antenna and edge



\* Diagonal dimension of LCD and device

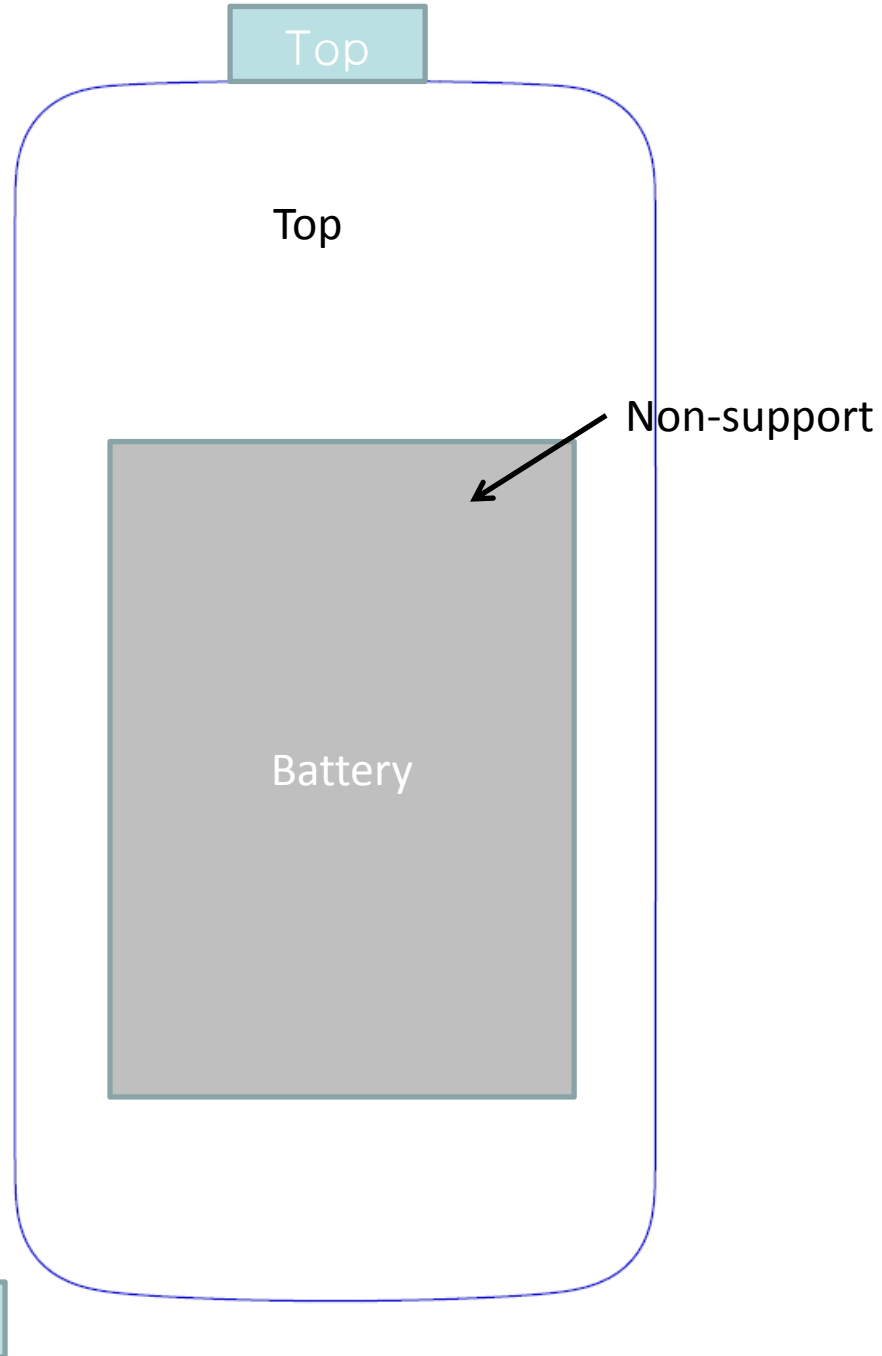


NFC Antenna  
Inside of Battery  
Cover

Front View

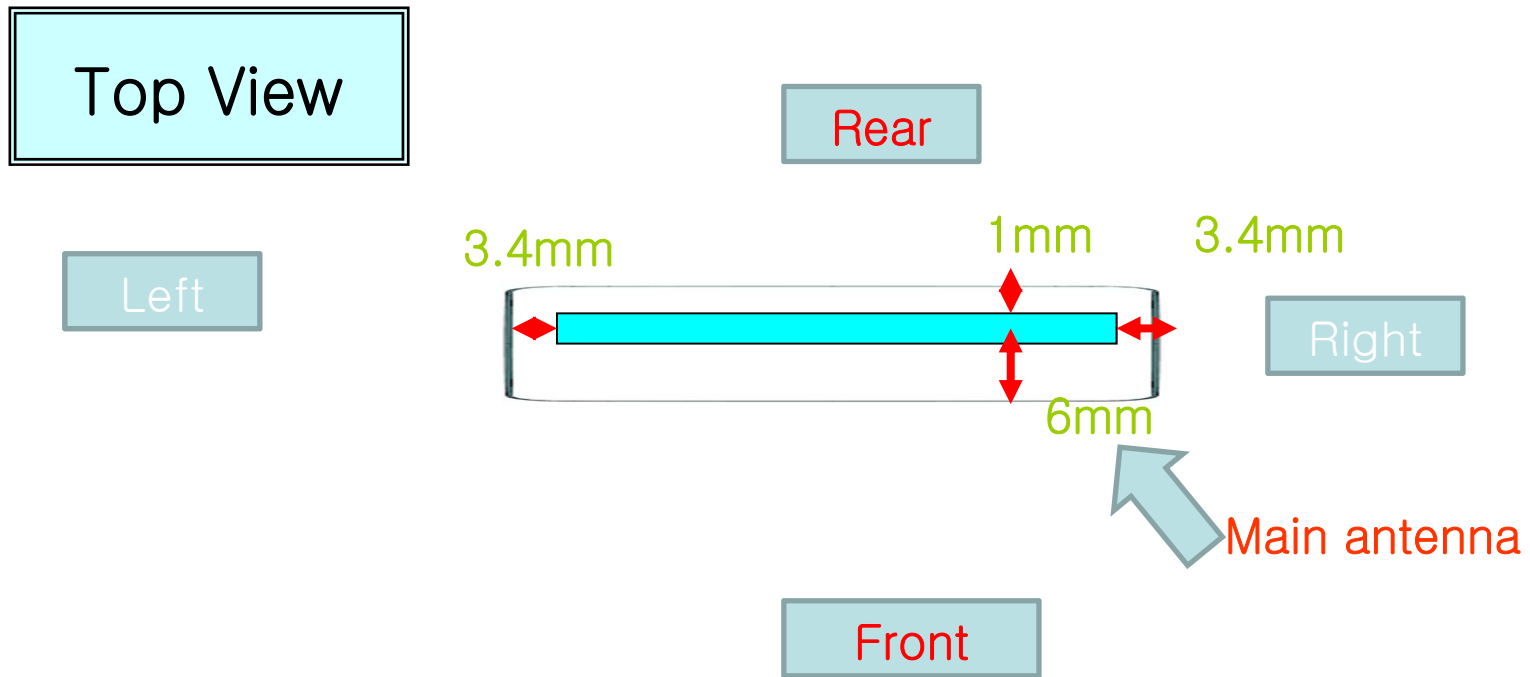
Left

Bottom



Right

\* Distance between Main antenna and edge



\* Distance between Bluetooth antenna and edge

