



FCC 47 CFR § 2.1093

**RF EXPOSURE EVALUATION REPORT
(Part 2: Test Under Dynamic Transmission Condition)**

FOR

GSM/WCDMA/LTE/5G NR Phone + BT/BLE, DTS/UNII a/b/g/n/ac/ax, NFC, WPT and UWB

MODEL NUMBER: SC-55D, SCG22

FCC ID: A3LSMF946JPN

REPORT NUMBER: 4790841160-S1V1

ISSUE DATE: 7/7/2023

Prepared for
**SAMSUNG ELECTRONICS CO., LTD.
129 SAMSUNG-RO, YEONGTONG-GU, SUWON-SI,
GYEONGGI-DO, 16677, KOREA**

Prepared by
**UL Korea, Ltd.
26th floor, 152, Teheran-ro, Gangnam-gu Seoul, 06236, Korea**

**Suwon Test Site: UL Korea, Ltd. Suwon Laboratory
218 Maeyeong-ro, Yeongtong-gu,
Suwon-si, Gyeonggi-do, 16675, Korea
TEL: (031) 337-9902
FAX: (031) 213-5433**



Testing Laboratory

TL-637

Revision History

Rev.	Date	Revisions	Revised By
V1	7/7/2023	Initial Issue	--

Table of Contents

Attestation of Test Results	5
1. Introduction	6
1.1 Part.2 Test Case Reduction for Multiple filings	6
1.2 Configurable parameters	7
2. Tx Varying Transmission Test Cases and Test Proposal	9
3. SAR Time Averaging Validation Test Procedures	11
3.1. <i>Test sequence determination for validation</i>	11
3.2. <i>Test configuration selection criteria for validation Smart Transmit feature</i>	11
3.2.1 <i>Test configuration selection for time-varying Tx power transmission</i>	12
3.2.2 <i>Test configuration selection for change in call</i>	12
3.2.3 <i>Test configuration selection for change in technology/band</i>	13
3.2.4 <i>Test configuration selection for change in antenna</i>	13
3.2.5 <i>Test configuration selection for change in DSI</i>	13
3.2.6 <i>Test configuration selection for change in time window</i>	14
3.2.7 <i>Test configuration selection for SAR exposure switching</i>	14
3.2.8 <i>Test configuration selection for system level compliance continuity</i>	15
3.3. <i>Test procedures for conducted power measurements</i>	16
3.3.1 <i>Time-varying Tx power transmission scenario</i>	16
3.3.2 <i>Change in call scenario</i>	18
3.3.3 <i>Change in technology and band</i>	18
3.3.4 <i>Change in antenna</i>	20
3.3.5 <i>Change in DSI</i>	20
3.3.6 <i>Change in time window</i>	20
3.3.7 <i>SAR exposure switching</i>	22
3.3.8 <i>System level compliance continuity</i>	23
4. Test Configurations	26
4.1. <i>WWAN (sub-6) & WLAN/BT transmission</i>	26
5. Conducted Power Test Results for Sub-6 Smart Transmit Feature Validation	29
5.1. <i>Measurement setup</i>	29
5.2. <i>P_{limit} and P_{max} measurement results</i>	34
5.3. <i>Time-varying Tx power measurement results (test case 1–4 in Table 5-2)</i>	35
5.3.1 <i>GSM Band 1900</i>	36
5.3.2 <i>LTE Band 41</i>	38
5.3.3 <i>NR Band n66</i>	40

5.3.4 5GHz MIMO (802.11ac_VHT80)..... 42

5.4. Change in Call Test Results (test case 5 in Table 5-2)..... 43

5.5. Change in technology/band/Antenna test results (test case 7 in Table 5-2)..... 44

5.6. Change in DSI test results (test case 6 in Table 5-2) 45

5.7. Switch in SAR exposure (WWAN-ENDC) test result (test case 8 in Table 5-2) 46

5.8. Switch in SAR exposure (WLAN-DBS) test result (test case 9 in Table 5-2) 47

5.9. System Level Compliance Continuity test results (test case 10 in Table 5-2)..... 48

6. Test Equipment 49

7. Conclusions..... 49

Section A. Test Sequences 50

Section B. Test Procedures for LTE + Sub6 NR..... 52

Appendixes 54



4790841160-S1 FCC Report SAR Part2_App A_Test setup photos 54

Attestation of Test Results

Applicant Name	SAMSUNG ELECTRONICS CO.,LTD.
FCC ID	A3LSMF946JPN
Model Number	SC-55D, SCG22
Applicable Standards	FCC 47 CFR § 2.1093
Date Tested	6/26/2023 to 7/6/2023
Test Results	Pass

UL Korea, Ltd. tested the above equipment in accordance with the requirements set forth in the above standards. All indications of Pass/Fail in this report are opinions expressed by UL Korea, Ltd. based on interpretations and/or observations of test results. Measurement Uncertainties were not taken into account and are published for informational purposes only. The test results show that the equipment tested is capable of demonstrating compliance with the requirements as documented in this report.

Note: The results documented in this report apply only to the tested sample, under the conditions and modes of operation as described herein. This document may not be altered or revised in any way unless done so by UL Korea, Ltd. and all revisions are duly noted in the revisions section. Any alteration of this document not carried out by UL Korea, Ltd. will constitute fraud and shall nullify the document. This report must not be used by the client to claim product certification, approval, or endorsement by IAS, any agency of the Federal Government, or any agency of any government.

Approved & Released By: 	Prepared By: 
Justin Park Operations Leader UL Korea, Ltd. Suwon Laboratory	Sunghoon Kim Senior Laboratory Engineer UL Korea, Ltd. Suwon Laboratory

1. Introduction

The equipment under test (EUT) is SC-55D, SCG22 (FCC ID : A3LSMF946JPN), it contains the Qualcomm modems supporting 2G/3G/4G/5G(NR-Sub6) technologies and WLAN/BT technologies. these modems are enabled with Qualcomm Smart Transmit feature to control and manage transmitting power in real time and to ensure at all times the time-averaged RF exposure is in compliance with the FCC requirement.

DUT contains embedded file system (EFS) version 20 configured for the Second generation (GEN2).

EFS v20 Verification

Per Qualcomm's 80-w2112-5 document, embeded file system (EFS) version 20 products are required to be verified for Smart Tx generation for relevant MCC setting. It was confirmed that this DUT contains embedded file system (EFS) version 20 configured for Smart Tx Second generation (GEN2) for Sub6 with MCC settings for the US market.

EFS v20 Generation	MCC
GEN2_SUB6	310

This purpose of the Part 2 report is to demonstrate the EUT complies with FCC RF exposure requirement under Tx varying transmission scenarios, thereby validity of Qualcomm Smart Transmit feature for FCC equipment authorization of A3LSMF946JPN.

1.1 Part.2 Test Case Reduction for Multiple filings

The number of test cases in Part 2 can be reduced in the case of multiple filings using same chipset and same EFS version (post full part 2 test on the first filing), the essential test cases in power measurement are required to ensure the Smart Transmit performs as expected in the new design, but the RF exposure measurement can be excluded.

So, This models (SC-55D, SCG22) used a same chipset and EFS version that had fully tested to Part.2 on first filing. Therefore, This model follow Part.2 Test case reduction procedures according to Qualcomm document (80-W2112-5). Please refer to section.4.1 for test case reduction scenarios.

1.2 Configurable parameters

Tx power at SAR design target (Plimit in dBm) for Tx transmitting frequency < 6GHz

The maximum time-average transmit power, in dBm, at which this radio configuration reaches the *SAR_design_target*. This *SAR_design_target* is pre-determined for the specific device and it shall be less than regulatory SAR limit after accounting for all design related tolerances. The time-averaged SAR is assessed against this *SAR_design_target* in real time to determine the compliance. The Plimit could vary with technology, band, antenna and DSI, therefore it has the unique value for each technology, band, antenna and DSI.

Reserve power margin (dB) (EFS version 19 or higher)

The reserve margin for WWAN radios and WLAN/BT radios can be configured for each sub6 antenna group, and each exposure category as shown below:

- *TOTAL_MIN_RES_RATIO*

This entry corresponds to the minimum reserve margin for WWAN radio or WLAN radio when operating in standalone mode per antenna group.

Here, *TOTAL_MIN_RES_RATIO* is 0.5.

- *WWAN_PRI_SPLIT_RATIO*, *WWAN_SEC_SPLIT_RATIO*, *WLAN_SPLIT_RATIO*

In multi-Tx scenarios in the same antenna group, minimum reserve for each active radio (i.e., WWAN primary radio, WWAN secondary radio, WLAN radio) is a product of the corresponding fraction out of sum of active radio split ratios and *TOTAL_MIN_RES_RATIO*.

Here, *WWAN_PRI_SPLIT_RATIO* is 1, *WWAN_SEC_SPLIT_RATIO* is 1 and *WLAN_SPLIT_RATIO* is 1.

- *WLAN_MARGIN_IN_MODEM_APM*

When WWAN modem is turned off (say, in airplane mode – APM), then the RF exposure budget is split between WLAN and BT radios,

where WLAN RF exposure budget is *WLAN_MARGIN_IN_MODEM_APM* and

BT exposure budget is $(1 - \text{WLAN_MARGIN_IN_MODEM_APM})$.

Here, *WLAN_MARGIN_IN_MODEM_APM* is 0.7.

- *BT (Bluetooth) Config*

BT_STANDALONE : desired BT transmit power = $(\text{BT_STANDALONE} * \text{Plimit})$ in BT single radio transmission condition, where *Plimit* is BT *Tx_Power_at_SAR_design_target* in mW.

BT_AND_1_RADIO_SAME_AG: reduced BT transmit power = $(\text{BT_AND_1_RADIO_SAME_AG} * \text{Plimit})$ in a two-radio transmission condition.

BT_AND_2+_RADIO_SAME_AG: further reduced BT transmit power = $(\text{BT_AND_2+_RADIO_SAME_AG} * \text{Plimit})$ in a three (or more)-radio transmission condition.

Here, *BT_STANDALONE* is 0.95, *BT_AND_1_RADIO_SAME_AG* is 0.3 and *BT_AND_2+_RADIO_SAME_AG* is 0.2.

Multi Tx factor (EFS version 19 or higher)

In single Tx transmission scenarios, Smart Transmit ensures time-averaged RF exposure is $\leq (SAR_design_target * 10^{(+sub6\ device\ uncertainty / 10)}) < regulatory\ RF\ exposure\ limit$ for sub6 radio managed by Smart Transmit.

In simultaneous Tx transmission scenarios, Smart Transmit ensures time-averaged RF exposure is $\leq (SAR_design_target * multi_Tx_factor * 10^{(+sub6\ device\ uncertainty / 10)}) < regulatory\ RF\ exposure\ limit$ for sub6 radios managed by Smart Transmit. These simultaneous transmission scenarios are listed below:

- 2-or-more radio scenarios within WWAN like EN-DC, LTE ULCA, etc.
- 2-or-more-radio across technologies such as WWAN+WLAN, WWAN+BT, WLAN+BT and WWAN+WLAN+BT transmission scenarios (if WLAN/BT radios are also managed by Smart Transmit).

This model's multi Tx factor is 1.0.

Force peak for Tx transmitting frequency < 6GHz

The Smart Transmit feature applies time-averaging windows when the device detects an MCC that matches Time-averaged Exposure MCCs list. For each of the MCCs under Time-Averaged Exposure MCCs list, the Smart Transmit feature can limit either maximum instantaneous Tx power or maximum time-average power to P_{limit} per tech/band/antenna/DSI. If force peak is set to '1' for a given tech/band/antenna/DSI in the EFS, then the Smart Transmit feature limits the maximum instantaneous Tx power to P_{limit} for the selected tech/band/antenna/DSI. In other words, with force peak set to '1', under static condition and in single active Tx scenario, Smart Transmit can guarantee Tx power level of P_{limit} at all times.

2. Tx Varying Transmission Test Cases and Test Proposal

To validate time averaging feature and demonstrate the compliance in Tx varying transmission conditions, the following transmission scenarios are covered in Part 2 test:

1. During a time-varying Tx power transmission: To prove that the Smart Transmit feature accounts for Tx power variations in time accurately.
2. During a call disconnected and re-establish scenario: To prove that the Smart Transmit feature accounts for history of past Tx power transmissions accurately.
3. During technology/band handover: To prove that the Smart Transmit feature functions correctly during transitions in technology/band.
4. During antenna (or beam) switch: To prove that the Smart Transmit feature functions correctly during transitions in antenna (Such as AsDiv scenario) or beams (different antenna array configurations).
5. During change in device state: To prove that the Smart Transmit feature functions correctly during transitions in device state, say, from body-worn state to hotspot, or say, from extremity mode to body-worn state, etc. Devices state here refers to all the device configurations required to be tested by FCC, for example, head position, body-worn position, hotspot mode, and extremity.
6. During time window switch: To prove that the Smart Transmit feature correctly handles the transition from one time window to another specified by FCC, and maintains the normalized time-averaged RF exposure to be less than normalized FCC limit of 1.0 at all times.
7. SAR exposure switching between two active radios (radio1 and radio2): To prove that the Smart Transmit feature functions correctly and ensures total RF exposure compliance when exposure varies among SAR_radio1 only, SAR_radio1 + SAR_radio2, and SAR_radio2 only scenarios.
8. System level compliance continuity :
 - a) Within terrestrial networks (WWAN, WLAN, BT, etc.): To demonstrate the time averaged RF exposure compliance continuity during technology transition in both single-radio and multi-radio transmission scenarios and under both modes of WWAN modem.

As described in Part 0 report (QRD SAR Using Combination of Simulation and Measurement (80-W2112-2), the RF exposure is proportional to the Tx power for a SAR characterized wireless device. Thus, time-averaging algorithm validation can be effectively performed through conducted power measurement. To have high confidence in this validation, but also be practical, the strategy for the validation including both power measurement and RF exposure measurement is outlined as follows:

Conducted power measurement:

- Measure conducted Tx power for $f < 6\text{GHz}$
- Convert it into RF exposure and divide by respective FCC limits to get normalized exposure
- Perform time-averaging over predefined time windows
- Demonstrate that the total normalized time-averaged RF exposure is less than 1.0 for all transmission scenarios (i.e., previous scenarios 1 to 8);

- For sub-6 transmission only:

$$1g_or_10gSAR(t) = \frac{\text{conducted_Tx_power}(t)}{\text{conducted_Tx_power_P}_{limit}} * 1g_or_10gSAR_P_{limit} \quad (1a)$$

$$\frac{\frac{1}{T_{SAR}} \int_{t-T_{SAR}}^t 1g_or_10gSAR(t) dt}{FCC\ SAR\ limit} \leq 1 \quad (1b)$$

Where, $\text{conducted_Tx_power}(t)$, $\text{conducted_Tx_power_P}_{limit}$, and $1g_or_10gSAR_P_{limit}$ correspond to the measured instantaneous conducted Tx power, measured conducted Tx power at P_{limit} , and measured $1gSAR$ or $10gSAR$ values at P_{limit} for the worst-case radio configuration within the tested technology/band/Antenna/DSI. T_{SAR} is the time window for $f < 6\text{GHz}$ radio defined by FCC.

Peak Exposure Mode :

When Smart Transmit is configured for peak exposure mode, the Power operates P_{limit} level.

3. SAR Time Averaging Validation Test Procedures

This chapter provides the test plan and test procedures for validating Qualcomm Smart Transmit feature for sub-6 transmission. The 100 seconds time window for operating $f < 3\text{GHz}$ is used as an example to detail the test procedures in this chapter. The same test plan and test procedures described in this chapter apply to 60 seconds time window for $3\text{ GHz} \leq f < 6\text{ GHz}$. And WLAN Bands apply to 30 seconds time window according to Qualcomm test guide.

3.1. Test sequence determination for validation

Following the FCC recommendation, two test sequences having time-variation in Tx power are predefined for sub-6 ($f < 6\text{GHz}$) validation:

- Test sequence 1 : request EUT's Tx power to be at maximum power, measured P_{max} , for 80s, then requesting for half of the maximum power, i.e., measured $P_{max}/2$, for the rest of the time.
- Test sequence 2 : request EUT's Tx power to vary with time. This sequence is generated relative to measured P_{max} , measured P_{limit} and Calculated $P_{reserve}$ (= measured P_{limit} in dBm – Reserve_power_margin in dB) of EUT based on measured P_{limit} .

For WLAN, Since WLAN radios do not have closed loop power control, average Tx power level of WLAN radios is indirectly varied by transmitting at varying duty cycles. Test sequence #1 described previously can be converted into duty cycle at P_{max} , i.e., duty cycle for an arbitrary Tx power level = (Tx power level / P_{max}). Test sequence #2 is not achievable due to current test capability. Therefore, in the interim, it is exempt.

For BT, Smart Transmit with EFS version 19 (or Higher) does not allow instantaneous Tx power of BT radio to exceed P_{limit} at any time instance, therefore, BT is not needed to be included in time-varying test.

The details for generating these Sub-6's two test sequences & WLAN's test sequence are described and listed in Section A.

Note: For test sequence generation, "measured P_{limit} " and "measured P_{max} " are used instead of the " P_{limit} " specified in EFS entry and " P_{max} " specified for the device, because Smart Transmit feature operates against the actual power level of the " P_{limit} " that was calibrated for the EUT. The "measured P_{limit} " accurately reflects what the feature is referencing to, therefore, it should be used during feature validation testing. The RF tune up and device-to-device variation are already considered in Part 0 report prior to determining P_{limit} .

3.2. Test configuration selection criteria for validation Smart Transmit feature

For validating Smart Transmit feature, this section provides a general guidance to select test cases. In practice, an adjustment can be made in test case selection. The justification/clarification may be provide.

3.2.1 Test configuration selection for time-varying Tx power transmission

The Smart Transmit time averaging feature operation is independent of bands, modes, and channels for a given technology. Hence, validation of Smart Transmit on one band/mode/channel per technology is sufficient. Two bands per technology are proposed and selected for this testing to provide high confidence in this validation.

The criteria for the selection are based on the P_{limit} values determined in Part 0 report. Select two bands* in each supported technology that correspond to least** and highest*** P_{limit} values that are less than P_{max} for validating Smart Transmit.

- * If one P_{limit} level applies to all the bands within a technology, then only one band needs to be tested. In this case, within the bands having the same P_{limit} , the radio configuration (e.g., # of RBs, channel#) and device position that correspond to the highest *measured 1g or 10gSAR* at P_{limit} shown in Part 1 report is selected.
- ** In case of multiple bands having the same least P_{limit} within the technology, then select the band having the highest *measured 1g or 10gSAR* at P_{limit} .
- *** The band having a higher P_{limit} needs to be properly selected so that the power limiting enforced by Smart Transmit can be validated using the pre-defined test sequences. If the highest P_{limit} in a technology is too high where the power limiting enforcement is not needed when testing with the pre-defined test sequences, then the next highest level is checked. This process is continued within the technology until second band for validation test is determined.

3.2.2 Test configuration selection for change in call

The criteria to select a test configuration for call-drop measurement is:

- Select technology/band with least P_{limit} among all supported technologies/bands, and select the radio configuration (e.g., # of RBs, channel#) in this technology/band that corresponds to the highest *measured 1g or 10gSAR* at P_{limit} listed in Part 1 report.
- In case of multiple bands having same least P_{limit} , then select the band having the highest *measured 1g or 10gSAR* at P_{limit} in Part 1 report.
- Test for change in call is not required if all $P_{limit} > P_{max}$

This test is performed with the EUT's Tx power requested to be at maximum power, the above band selection will result in Tx power enforcement (i.e., during the time when EUT is forced to have Tx power at $P_{reserve}$) for longest duration in one FCC defined window. The call change (call drop/reestablish) is performed during the Tx power enforcement duration (i.e., during the time when EUT is forced to have Tx power at $P_{reserve}$). One test is sufficient as the feature operation is independent of technology and band.

3.2.3 Test configuration selection for change in technology/band

The selection criteria for this measurement is, for a given antenna, to have EUT switch from a technology/band with lowest P_{limit} within the technology group (in case of multiple bands having the same P_{limit} , then select the band with highest *measured 1g or 10gSAR* at P_{limit}) to a technology/band with highest P_{limit} within the technology group, in case of multiple bands having the same P_{limit} , then select the band with lowest *measured 1g or 10gSAR* at P_{limit} in Part 1 report, or vice versa.

This test is performed with the EUT's Tx power requested to be at maximum power, the technology/band switch is performed during Tx power enforcement duration (i.e., during the time when EUT is forced to have Tx power at $P_{reserve}$).

3.2.4 Test configuration selection for change in antenna

The criteria to select a test configuration for antenna switch measurement is:

- Whenever possible and supported by the EUT, first antenna switch configuration within the same technology/band (i.e., same technology and band combination).
- Then, select any technology/band that supports multiple Tx antennas, and has the highest difference in P_{limit} among all supported antennas.
- In case of multiple bands having same difference in P_{limit} among supported antennas, then select the band having the highest *measured 1g or 10gSAR* at P_{limit} in Part 1 report.

This test is performed with the EUT's Tx power requested to be at maximum power in selected technology/band, and antenna change is conducted during Tx power enforcement duration (i.e., during the time when EUT is forced to have Tx power at $P_{reserve}$).

3.2.5 Test configuration selection for change in DSI

The criteria to select a test configuration for DSI change test is:

- Select a technology/band having the $P_{limit} < P_{max}$ within any technology and DSI group, and for same technology/band having a different P_{limit} in any other DSI group. Note that the selected DSI transition need to be supported by the device.

This test is performed with the EUT's Tx power requested to be at maximum power in selected technology/band, and DSI change is conducted during Tx power enforcement duration (i.e., during the time when EUT is forced to have Tx power at $P_{reserve}$).

3.2.6 Test configuration selection for change in time window

FCC specifies different time window for time averaging based on operation frequency. The criteria to select a test configuration for validating Smart Transmit feature and demonstrating the compliance during the change in time window is:

- Select any technology/band that has operation frequency classified in a different time window defined by FCC (such as 100-seconds time window), and its corresponding P_{limit} is less than P_{max} if possible.
- Select the 2nd technology/band that has operation frequency classified in a different time window defined by FCC (such as 60-seconds time window), and its corresponding P_{limit} is less than P_{max} if possible.
- Note it is preferred both P_{limit} values of two selected technology/band less than corresponding P_{max} , but if not possible, at least one of technologies/bands has its P_{limit} less than P_{max} .

This test is performed with the EUT's Tx power requested to be at maximum power in selected technology/band. Test for one pair of time windows selected is sufficient as the feature operation is the same.

3.2.7 Test configuration selection for SAR exposure switching

If supported, the test configuration for SAR exposure switching should cover:

1. SAR exposure switch when two active radios are in the same time window
2. SAR exposure switch when two active radios are in different time windows. One test with two active radios in any two different time windows is sufficient as Smart Transmit operation is the same for RF exposure switch in any combination of two different time windows.

The Smart Transmit time averaging operation is independent of the source of SAR exposure (for example, LTE vs. Sub6 NR) and ensures total time-averaged RF exposure compliance. Hence, validation of Smart Transmit in any one simultaneous SAR transmission scenario (i.e., one combination for LTE + Sub6 NR transmission) is sufficient, where the SAR exposure varies among SAR_{radio1} only, SAR_{radio1} + SAR_{radio2}, and SAR_{radio2} only scenarios.

The criteria to select a test configuration for validating Smart Transmit feature during SAR exposure switching scenarios is:

- Select any two < 6GHz technologies/bands that the EUT supports simultaneous transmission (for example, LTE + Sub NR)
- Among all supported simultaneous transmission configurations, the selection order is
 1. Select one configuration where both P_{limit} of radio1 and radio2 is less than their corresponding P_{max} , preferably, with different P_{limits} . If this configuration is not available, then,
 2. Select one configuration that has P_{limit} less than its P_{max} for at least one radio. If this cannot be found, then,
 3. Select one configuration that has P_{limit} of radio1 and radio2 greater than P_{max} but with least $(P_{limit} - P_{max})$ delta.

Test for one simultaneous transmission scenario is sufficient as the feature operation is the same. Additional details for testing for LTE+Sub6 NR non-standalone is provided in Section.B.

3.2.8 Test configuration selection for system level compliance continuity

3.2.8.1 Selection criteria for WWAN/WLAN/BT system level test

The purpose of system level compliance test is to demonstrate the compliance continuity in the following scenarios:

1. Across technology switch
2. During transition from single technology to multi-technology
3. In transition when WWAN went from On to airplane mode
4. Active WLAN radio and/or Bluetooth (BT) radio with WWAN in airplane mode
5. Time window transition when WWAN in airplane mode

Note: Technology in this section refers to WWAN, WLAN or BT

The selection criteria for radios to be tested is to select a radio which has the largest P_{max} / P_{limit} Ratio among all configurations supported (including SISO, MIMO, DBS, SISO+MIMO or DBS+MIMO whichever appropriate) within each technology and within the same antenna group.

3.3. Test procedures for conducted power measurements

This section provides general conducted power measurement procedures to perform compliance test under dynamic transmission scenarios described in Section 2. In practice, an adjustment can be made in these procedures. The justification/clarification may be provided.

3.3.1 Time-varying Tx power transmission scenario

This test is performed with the two pre-defined test sequences described in Section 3.1 for all the technologies and bands selected in Section 3.2.1. The purpose of the test is to demonstrate the effectiveness of power limiting enforcement and that the time-averaged SAR (corresponding time averaged Tx power) does not exceed the FCC limit at all times (see Eq. (1a) and (1b)).

Test procedure:

1. Measure P_{max} , measure P_{limit} and calculate $Reserve_power_margin$ (= measured P_{limit} in dBm – $Reserve_power_margin$ in dB) and follow Section 3.1 to generate the test sequences for all the technologies and bands selected in Section 3.2.1. Both test sequence 1 and test sequence 2 are created based on measured P_{max} and measured P_{limit} of the EUT. Test condition to measure P_{max} and P_{limit} is:
 - Measure P_{max} with Smart Transmit disable and callbox set to request maximum power.
 - Measure P_{limit} with Smart Transmit enable and $Reserve_power_margin$ set to 0 dB (Peak exposure mode); callbox set to request maximum power.
2. Set $Reserve_power_margin$ to actual (intended) value (3dB for this EUT based on Part 1 report) and reset power on EUT to enable Smart Transmit, establish radio link in desired radio configuration, with callbox requesting the EUT's Tx power to be at pre-defined test sequence 1, measure and record Tx power versus time, and then convert the conducted Tx power into 1gSAR or 10gSAR value (see Eq. (1a)) using measured P_{limit} from above Step 1. Perform running time average to determine time-averaged power and 1gSAR or 10gSAR versus time as illustrated in Figure A-1 where using 100-seconds time window as an example.

Note: In Eq.(1a), instantaneous Tx power is converted into instantaneous 1gSAR or 10gSAR value by applying the measured worst-case 1gSAR or 10gSAR value at P_{limit} for the corresponding technology/band/antenna/DSI reported in Part 1 report.

Note: For an easier computation of the running time average, 0 dBm can be added at the beginning of the test sequences the length of the responding time window, for example, add 0 dBm for 100-seconds so the running time average can be directly performed starting with the first 100-seconds data using excel spreadsheet. This technique applies to all tests performed in this Part 2 report for easier time-averaged computation using excel spreadsheet.

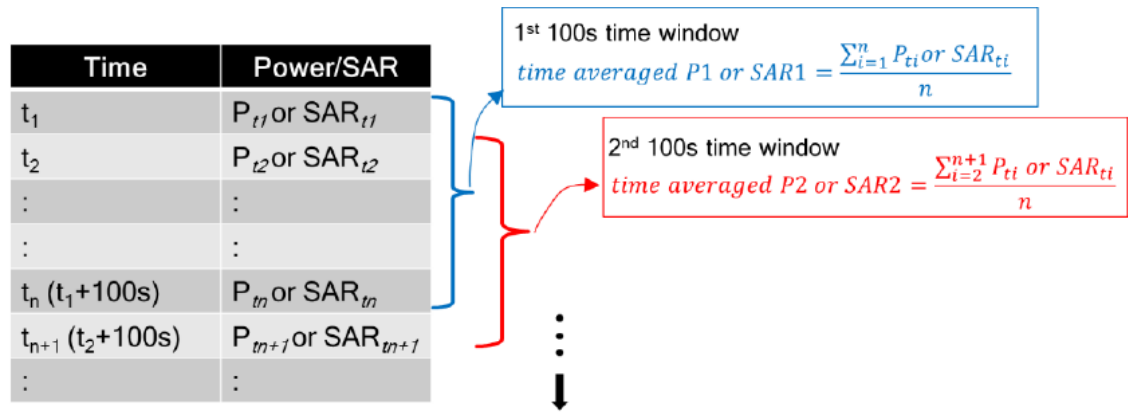


Figure A-1 100s running average illustration

3. Make one plot containing:
 - a. Computed time-averaged 1gSAR or 10gSAR versus time determined in Step 2
 - b. Corresponding regulatory 1g or 10gSAR_{limit} limit.
4. Repeated Steps 2 ~ 3 for pre-defined test sequence 2.
5. Repeat Steps 2 ~ 4 for all the selected technologies and bands.

The validation criteria is, at all times, the time-averaged 1gSAR or 10gSAR versus time shown in Step 2 (and plotted in Step 4) shall not exceed regulatory 1g or 10gSAR_{limit} limit.

3.3.2 Change in call scenario

This test is to demonstrate that Smart Transmit feature accurately accounts for the past Tx powers during time-averaging when a new call is established.

The call disconnects and re-establishment needs to be performed during power limit enforcement, i.e., when the EUT's Tx power is at $P_{reserve}$ level, to demonstrate the continuity of RF exposure management and limiting in call change scenario. In other words, the RF exposure averaged over any FCC defined time window (including the time windows containing the call change) doesn't exceed regulatory $1g$ or $10gSAR_{limit}$ limit.

Test procedure:

1. Measure P_{limit} for the technology/band selected in Section 3.2.2. measure P_{limit} with Smart Transmit enable and Reserve_power_margin set to 0 dB (Peak exposure mode); callbox set to request maximum power.
2. Set Reserve_power_margin to actual (intended) value and reset power on EUT to enable Smart Transmit.
3. Establish radio link with callbox in the selected technology/band.
4. Request EUT's Tx power at 0 dBm for at least one time window specified for the selected technology/band, followed by requesting EUT's Tx power to be at maximum power for about ~60 seconds, and then drop the call for ~10 seconds. Afterwards, re-establish another call in the same radio configuration (i.e., same technology/band/channel) and continue callbox requesting EUT's Tx power to be at maximum power for the remaining time of at least another full duration of the specified time window. Measure and record Tx power versus time.
5. Once the measurement is done, extract instantaneous Tx power versus time, and convert the conducted Tx power into $1g$ or $10gSAR$ value using Step 1 result, and then perform one time window specified running average to determine time-averaged $1g$ or $10gSAR$ value versus time.
6. Make one plot containing: (a) computed time-averaged $1g$ or $10gSAR$ versus time determine in Step 4 for the first call, (b) computed time-averaged $1g$ or $10gSAR$ versus time determine in Step 4 for the second call, (c) computed time-averaged $1g$ or $10gSAR$ of the first call and second call versus time and (d) corresponding regulatory $1g$ or $10gSAR_{limit}$ limit.

The validation criteria are, at all times, the combined time-averaged $1gSAR$ or $10gSAR$ versus time determined in Step 6c shall not exceed the regulatory $1g$ or $10gSAR_{limit}$ limit.

3.3.3 Change in technology and band

This test is to demonstrate the correct power control by Smart Transmit during technology and/or band handovers.

Similar to the change in call test in Section 3.3.2, to validate the continuity of RF exposure limiting during the transition, the technology and band handover needs to be performed when EUT's Tx power is at $P_{reserve}$ level (i.e., during Tx power enforcement) to make sure that the EUT's Tx power from previous $P_{reserve}$ level to the new $P_{reserve}$ level (corresponding to new technology/band). Since the P_{limit} could vary with technology and band, Eq.(1a) can be written as follows to convert the instantaneous Tx power in $1gSAR$ or $10gSAR$ exposure for the two given radios, respectively:

$$1g_or_10gSAR_1(t) = \frac{conducted_Tx_power_1(t)}{conducted_Tx_power_P_{limit_1}} * 1g_or_10gSAR_P_{limit_1}$$

$$1g_or_10gSAR_2(t) = \frac{conducted_Tx_power_2(t)}{conducted_Tx_power_P_{limit_2}} * 1g_or_10gSAR_P_{limit_2}$$

$$\frac{1}{T_{SAR}} \left[\int_{t-T_{SAR}}^{t_1} \frac{1g_or_10gSAR_1(t)}{FCC\ SAR\ limit} dt + \int_{t-T_{SAR}}^t \frac{1g_or_10gSAR_2(t)}{FCC\ SAR\ limit} dt \right] \leq 1$$

where, $conducted_Tx_power_1(t)$, $conducted_Tx_power_P_{limit_1}$, and $1g_or_10gSAR_P_{limit_1}$ correspond to the measured instantaneous conducted Tx power, measured conducted Tx power at P_{limit} , and measured $1g$ SAR or $10g$ SAR value at technology1/band1; $conducted_Tx_power_2(t)$, $conducted_Tx_power_P_{limit_2}$, and $1g_or_10gSAR_P_{limit_2}$ correspond to the measured instantaneous conducted Tx power, measured conducted Tx power at P_{limit} , and measured $1g$ SAR or $10g$ SAR value at P_{limit} of technology2/band2. Transition from technology1/band1 to the technology2/band2 happens at time-instant ' t_1 '.

Test procedure:

1. Measure P_{limit} for both the technologies and bands selected in Section 3.2.3. Measure P_{limit} with Smart Transmit enabled and *Reserve_power_margin* set to 0 dB (Peak exposure mode); callbox set to request maximum power.
2. Set *Reserve_power_margin* to actual(intended) value and reset power on EUT to enable Smart Transmit.
3. Establish radio link with callbox in first technology/band selected.
4. Request EUT's Tx power at 0 dBm for at least one time window specified for the selected technology/band, followed by requesting EUT's Tx power to be at maximum power for about ~60 second, and then switch to second technology/band selected. Continue with callbox requesting EUT's Tx power to be at maximum power for the remaining time of least another full duration of the specified time window. Measure and record Tx power versus time for the full duration of the test.
5. Once the measurement is done, extract instantaneous Tx power versus time, and convert the conducted Tx power into $1g$ SAR or $10g$ SAR value using Eq.(6a) and (6b) and corresponding measured P_{limit} values from Step 1 of this section. Perform the running time average to determine time-averaged power and $1g$ SAR or $10g$ SAR versus time.
Note: In Eq.(6a) & (6b), instantaneous Tx power is converted into instantaneous $1g$ SAR or $10g$ SAR value by applying the measured the measured worst-case $1g$ SAR or $10g$ SAR value at P_{limit} for the corresponding technology/band reported in Part 1 report.
6. Make one plot containing: (a) computed time-averaged $1g$ SAR or $10g$ SAR of the first technology/band versus time determined in Step 5, (b) computed time-averaged $1g$ SAR or $10g$ SAR of the second technology/band versus time determined in Step 5, (c) combined time-averaged $1g$ or $10g$ SAR of the first technology/band and second technology/band versus time determined in Step 5 and (d) corresponding regulatory $1g$ or $10gSAR_{limit}$ limit.

The validation criteria are, at all times, the combined time-averaged $1g$ SAR or $10g$ SAR versus time determined in Step 6c shall not exceed the regulatory $1g$ or $10gSAR_{limit}$ limit.

3.3.4 Change in antenna

This test is to demonstrate the correct power control by Smart Transmit during antenna switches from primary to diversity. The test procedure is identical to Section 3.3.3, with switching antenna instead of technology/band. The validation criteria are, at all times, the time-average 1gSAR or 10gSAR versus time shall not exceed the regulatory *1g or 10gSAR_{limit}* limit.

Note: If the EUT does not support multiple transmitting WWAN antennas, the compliance plot for change in antenna should be similar to the plot for change in technology/band.

3.3.5 Change in DSI

This test is to demonstrate the correct power control by Smart Transmit during DSI switches from one DSI to another. The test procedure is identical to Section 3.3.3, with changing device state instead of technology/band. The validation criteria is, at all times, the time-averaged 1gSAR or 10gSAR versus time shall not exceed the regulatory *1g or 10gSAR_{limit}* limit.

Note: If the EUT does not support multiple device states, the compliance plot for change in device state should be similar to the plot for change in technology/band.

3.3.6 Change in time window

This test is to demonstrate the correct power control by Smart Transmit during the change in averaging time window when a specific band handover occurs. FCC specifies time-averaging window of 100s for Tx frequency < 3GHz, and 60s for Tx frequency between 3GHz and 6GHz. To validate the continuity of RF exposure limiting during the transition, the band handover test needs to be performed when EUT handovers from operation band less than 3GHz to greater than 3GHz and vice versa. The equations (3a) and (3b) in Section 2 can be written as follows for transmission scenario having change in time window:

$$1gSAR_1(t) = \frac{\text{conducted_Tx_power_1}(t)}{\text{conducted_Tx_power_P}_{limit_1}} * 1g_or\ 10g_SAR_P_{limit_1}$$

$$1gSAR_2(t) = \frac{\text{conducted_Tx_power_2}(t)}{\text{conducted_Tx_power_P}_{limit_2}} * 1g_or\ 10g_SAR_P_{limit_2}$$

$$\frac{1}{T_{1SAR}} \left[\int_{t-T_{1SAR}}^{t_1} \frac{1g_or\ 10g_SAR_1(t)}{FCC\ SAR\ limit} dt \right] + \frac{1}{T_{2SAR}} \left[\int_{t-T_{2SAR}}^t \frac{1g_or\ 10g_SAR_2(t)}{FCC\ SAR\ limit} dt \right] \leq 1$$

Where, *conducted_Tx_power_1(t)*, *conducted_Tx_power_P_{limit_1}(t)*, and *1g_or 10g_SAR_P_{limit_1}* correspond to the instantaneous Tx power, conducted Tx power at P_{limit}, and compliance *1g_or 10g_SAR* values at *P_{limit_1}* of band1 with time-averaging window '*T_{1SAR}*'; *conducted_Tx_power_2(t)*, *Conducted Tx power at P_{limit}*, and compliance *1g_or 10g_SAR* values at *P_{limit_2}* of Band2 with time-averaging window '*T_{2SAR}*'. One of the two bands is less than 3GHz, another is greater than 3GHz. Transition from first band with time-averaging window '*T_{1SAR}*' to the second band with time-averaging window '*T_{2SAR}*' happens at time-instant '*t₁*'.

Test procedure:

1. Measure P_{limit} for both the technologies and bands selected in Section 3.2.6 Measure P_{limit} with Smart Transmit enabled and *Reserve_power_margin* set to 0 dB(Peak exposure mode), callbox set to request maximum power.
2. Set *Reserve_power_margin* to actual (intended) value and enable Smart Transmit.

Transition from 100s time window to 60s time window, and vice versa

3. Establish radio link with callbox in the technology/band having 100s time window selected in Section 3.2.6.
4. Request EUT's Tx power to be at 0 dBm for at least 100 seconds, followed by requesting EUT's Tx power to be at maximum power for about ~140 seconds, and then switch to second technology/band (having 60s time window) selected in Section 3.2.6. Continue with callbox requesting EUT's Tx power to be at maximum power for at least another 100s. Measure and record Tx power versus time for the entire duration of the test.
5. Once the measurement is done, extract instantaneous Tx power versus time, and convert the conducted Tx power into 1gSAR or 10gSAR value (see Eq.(7a) and (7b)) using corresponding technology/band Step 1 result, and then perform 100s average to determine time-averaged 1gSAR or 10gSAR versus time. Note that in Eq.(7a) & (7B), instantaneous Tx power is converted into instantaneous 1gSAR or 10gSAR value by applying the worst-case 1gSAR or 10gSAR value tested in Part 1 for the selected technologies/bands at P_{limit} .
6. Make one plot containing: (a) computed time-averaged 1g or 10gSAR of the first technology/band (having 100s time window) versus time determined in Step 5, (c) computed time-averaged 1g or 10gSAR of the second technology/band (having 60s time window) versus time determined in Step 5, (c) combined time-averaged 1g or 10gSAR of (a) and (b), and (d) corresponding regulatory 1g or 10gSAR_{limit} limit.

Transition from 60s time window to 100s time window, and vice versa

7. Establish radio link with callbox in the technology/band having 60s time window selected in Section 3.2.6.
8. Request EUT's Tx power to be at 0 dBm for at least 60 seconds, followed by requesting EUT's Tx power to be at maximum power for about ~80 seconds, and then switch to second technology/band (having 100s time window) selected in Section 3.2.6. Continue with callbox requesting EUT's Tx power to transmit at maximum power for about 100s in this second technology/band, and then switch back to the first technology/band. Continue with callbox requesting EUT to transmit at maximum Tx power for at least another 140s. Measure and record Tx power versus time for the entire duration of the test.
9. Repeat above Step 5~6 procedures to generate the corresponding plots

The validation criteria is, at all times, the time-averaged 1gSAR or 10gSAR versus time shall not exceed the regulatory 1g or 10gSAR_{limit} limit.

3.3.7 SAR exposure switching

This test is to demonstrate that Smart Transmit feature is accurately accounts for switching in exposures among SAR from radio1 only, SAR from both radio1 and radio2, and SAR from radio2 only scenarios, and ensures total time-averaged RF exposure complies with the FCC limit. The detailed test procedure for SAR exposure switching in the case of LTE + Sub6 NR non-standalone mode transmission scenarios is provided in Section.B.

Test procedure:

1. Measure conducted Tx power corresponding to P_{limit} for radio 1 and radio 2 in selected band. Test condition to measure conducted P_{limit} is:
 - Establish device in call with the callbox for radio1 technology/band. Measure conducted Tx power corresponding to radio 1 P_{limit} with Smart Transmit enable and *Reserve_Power_margin* set to 0 dB(Peak exposure mode), callbox set to request maximum power.
 - Repeat above step to measure conducted Tx power corresponding to radio2 P_{limit} . If radio2 is dependent on radio1 (for example, non-standalone mode of Sub6 NR requiring radio1 LTE as anchor), then establish radio1 + radio2 call with callbox, and request all down bits for radio1 LTE. In this scenario, with callbox requesting maximum power from radio2 Sub6 NR, measured conducted Tx power corresponds to radio2 P_{limit} (as radio1 LTE is at all-down bits)
2. Set *Reserve_power_margin* to actual (intended) value, with EUT setup for radio1 + radio2 call. In this description, it is assumed that radio2 has lower priority than radio1. Establish device in radio1 + radio2 call, and request all-down bits or low power on radio1, with callbox requesting EUT's Tx power to be at maximum power in radio2 for at least one time window. After one time window, set callbox to request EUT's Tx power to be at maximum power on radio1, i.e., all-up bits. Continue radio1 + radio2 call with both radios at maximum power for at least one time window, and drop (or request all-down bits on) radio2. Continue radio1 at maximum power for at least one time window. Record the conducted Tx power for both radio1 and radio2 for the entire duration of this test.
3. Once the measurement is done, extract instantaneous Tx power versus time for both radio1 and radio2 links. Convert the conducted Tx power for both theses radios into 1gSAR or 10gSAR value (see Eq.(6a) and (6b)) using corresponding technology/band P_{limit} measured in Step 1, and then perform the running time average to determine time-averaged 1gSAR or 10gSAR versus time.
4. Make one plot containing: (a) computed time-averaged 1g or 10gSAR versus time determined in Step 3, and combined time-averaged 1g or 10gSAR versus time, and (b) corresponding regulatory 1g or 10gSAR_{limit} limit.

The validation criteria is, at all times, the time-averaged 1gSAR or 10gSAR versus time shall not exceed the regulatory 1g or 10gSAR_{limit} limit.

Note: If multi_Tx_factor is set to > 1.0 with EFS version 19 (or higher), then in single Tx transmission scenarios, Smart Transmit ensures time-averaged RF exposure is $\leq (SAR_design_target * 10^{(+sub6\ device\ uncertainty / 10)}) < regulatory\ RF\ exposure\ limit\ for\ sub6\ radio\ managed\ by\ Smart\ Transmit.$

In simultaneous Tx transmission scenarios, Smart Transmit ensures time-averaged RF exposure is $\leq (SAR_design_target * multi_Tx_factor * 10^{(+sub6\ device\ uncertainty / 10)}) < regulatory\ RF\ exposure\ limit\ for\ sub6\ radios\ managed\ by\ Smart\ Transmit.$ These simultaneous transmission scenarios are listed below:

- 2-or-more radio scenarios within WWAN like EN-DC, LTE ULCA, etc.
- 2-or-more-radio across technologies such as WWAN+WLAN, WWAN+BT, WLAN+BT and WWAN+WLAN+BT transmission scenarios (if WLAN/BT radios are also managed by Smart Transmit).

This device's multi_Tx_factor is 1.0.

3.3.8 System level compliance continuity

3.3.8.1 WWAN/WLAN/BT radio system level compliance continuity

Below is the test flow outline of the system level compliance test. The test contains 6 sections and 5 transitions: Start with WWAN radio transmission (Section A), transition to WLAN transmission (Section B), transition to simultaneous transmission of WWAN + WLAN + BT (Section C), then drop off WWAN radio and set WWAN to airplane mode, at the same time transition to WLAN + BT transmission simultaneously (Section D), transition to BT only transmission (Section E), and finally transition to WLAN only transmission (Section F).

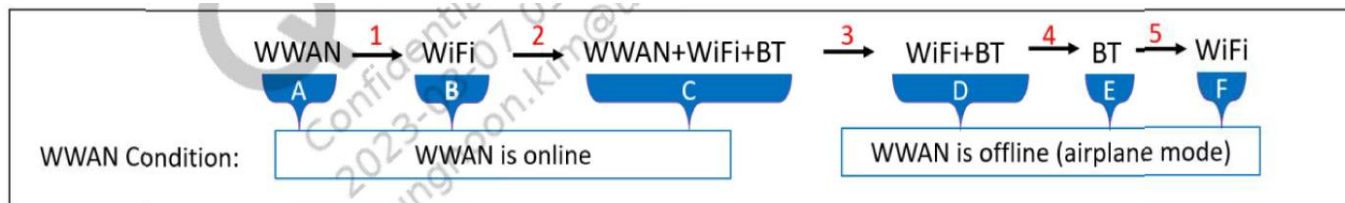


Figure S-1 Schematic of technology transitions for system level compliance continuity test.

It is recommended for OEMs to demonstrate compliance at system level, i.e., demonstrate compliance continuity across technologies, i.e., across WWAN, WLAN, BT, etc. In this regard, a new test case is designed to test the time-averaged RF exposure compliance continuity in the following scenarios with 5 transitions:

1. Across technology switch
2. During transition from single technology to multiple technology
3. In transition when WWAN went from ON to airplane mode
4. Active WLAN radio and/or BT radio without WWAN
5. Time window transition between WLAN and BT when WWAN is in airplane mode (this segment of test is not needed for ICNIRP as both WLAN and BT operate in same time averaging window)

Test configuration selection criteria:

If the device supports simultaneous transmission of WWAN, WLAN and BT, then the selection criteria for system level compliance continuity test is:

- For a given DSI and antenna group, select band/antenna configurations for WWAN, WLAN and BT technologies that have the largest ($P_{max} - P_{limit}$) delta. In case of multiple bands/antennas having the same difference between P_{max} and P_{limit} within a given technology, then select any one band/antenna out of them.

Note: The antennas corresponding to the selected technologies/bands for the system level compliance continuity test case should be in the same antenna group.

For this test, WLAN radio configuration is selected different from 2.4GHz band so as to not interfere with BT measurements. Therefore, select least P_{limit} configuration for WLAN outside the 2.4GHz band.

Test procedure:

1. Measure conducted Tx power corresponding to P_{limit} for all three (WWAN, WLAN & BT) technologies in the selected radio configurations. Test condition to measure conducted P_{limit} for each tech is :
 - Establish device in call with the callbox for the first technology in desired band. Measure conducted Tx power corresponding to the first technology P_{limit} with Smart Transmit Peak exposure mode enabled and callbox set to request maximum power (or maximum duty cycle in case of WLAN/BT).
 - Repeat above step to measure conducted Tx power corresponding to the remaining two technologies' P_{limit} . In the case of BT, measured conducted Tx power is compensated by tested duty cycle and $BT_STANDALONE$ EFS parameter, i.e., measured $P_{limit} = \text{conducted power measured in BT standalone condition} / BT_STANDALONE / BT_duty_cycle$.
2. Set EUT to the intended Smart Transmit exposure mode.
3. As depicted in Figure S-1, first
 - i. Section A: Establish WWAN connection with the callbox in selected WWAN radio configuration. Request EUT to transmit at 0 dBm for at least one WWAN time window (100s or 60s), followed by requesting EUT to transmit at maximum Tx power for {one WWAN time window ($T_{WWAN} = 100\text{s}$ if $f < 3\text{GHz}$ or 60s if $3\text{GHz} < f < 6\text{GHz}$ for FCC, 360s for ICNIRP) + the maximum high power duration allowed in one T_{WWAN} }, denoted as T_{A_WWAN} .
 - ii. Section B: After T_{A_WWAN} , drop WWAN connection and establish WLAN connection with the callbox in selected WLAN radio configuration and request EUT to transmit at maximum duty cycle (and maximum power) for {one WLAN time-window duration ($T_{WLAN} = 30\text{s}$ for all WLAN frequency bands for FCC, 360s for ICNIRP) + the maximum high power duration allowed in one T_{WLAN} }, denoted T_{B_WLAN} .
 - iii. Section C: After T_{B_WLAN} , add the selected WWAN and BT radios to have the simultaneous transmission of WWAN + WLAN + BT. Request WWAN radio to transmit at maximum power and request WLAN & BT radios to transmit at maximum duty cycle (and maximum power) for at least one $\max \{T_{A_WWAN}, T_{B_WLAN}, T_{BT}\}$, where, $T_{BT} = 100\text{s}$ for FCC, 360s for ICNIRP.
 - iv. Section D: Drop WWAN connection and set WWAN modem into airplane mode. Continue requesting WLAN & BT radios to transmit at maximum duty cycle (and maximum power) for at least two times the $\max \{T_{WLAN}, T_{BT}\}$.
 - v. Section E: Drop WLAN connection. Continue requesting BT radio to transmit at maximum duty cycle (and maximum power). Continue the test for at least one T_{BT} .
 - vi. Section F: In the case of FCC time windows, after at least one T_{BT} , drop BT connection and establish back WLAN connection in selected radio configuration. Continue requesting WLAN radio to transmit at maximum duty cycle (and maximum power). Continue the test for at least one $\max \{T_{WLAN}, T_{BT}\}$. In the case of ICNIRP time windows, Section F is not required.
4. Once the measurement is done, extract instantaneous Tx power versus time for all WWAN, WLAN and BT radios in selected configurations. Similar to technology/band switch test in Section 3.3.3, convert the conducted Tx power for both these radios into $1\text{g_or_}10\text{gSAR}$ value (see Eq. (7a) and (7b)) using corresponding technology/band P_{limit} measured in Step 1, and then perform running average over corresponding time-windows (i.e., 100s/60s for WWAN radio, 30s for WLAN radio and 100s for BT radio in case of FCC time-windows, and 360s for all of them in case of ICNIRP time-windows) to determine time-averaged $1\text{g_or_}10\text{gSAR}$ versus time as illustrated in Figure A-1.

5. Make one plot containing: (a) computed normalized time-averaged 1g_or_10gSAR for WWAN radio configuration versus time determined in Step 4, (b) computed normalized time-averaged 1g_or_10gSAR for WLAN radio configuration versus time determined in Step 4, (c) computed normalized time-averaged 1g_or_10gSAR for BT radio configuration versus time determined in Step 4, (d) computed total normalized time-averaged 1g_or_10gSAR versus time (sum of Steps (5.a), (5.b)) determined in Step 5, and (e) corresponding normalized regulatory 1g_or_10gSAR_{limit} limit of 1.0.

The validation criteria is, at all times, the time-averaged 1g_or_10gSAR versus time shall not exceed the regulatory 1g_or_10gSAR_{limit} limit.

Note: If multi_Tx_factor is set to > 1.0 with EFS version 19 (or higher), then in single Tx transmission scenarios, Smart Transmit ensures time-averaged RF exposure is $\leq (SAR_design_target * 10^{(+sub6\ device\ uncertainty / 10)}) < regulatory\ RF\ exposure\ limit$ for sub6 radio managed by Smart Transmit.

In simultaneous Tx transmission scenarios, Smart Transmit ensures time-averaged RF exposure is $\leq (SAR_design_target * multi_Tx_factor * 10^{(+sub6\ device\ uncertainty / 10)}) < regulatory\ RF\ exposure\ limit$ for sub6 radios managed by Smart Transmit. These simultaneous transmission scenarios are listed below:

- 2-or-more radio scenarios within WWAN like EN-DC, LTE ULCA, etc.
- 2-or-more-radio across technologies such as WWAN+WLAN, WWAN+BT, WLAN+BT and WWAN+WLAN+BT transmission scenarios (if WLAN/BT radios are also managed by Smart Transmit).

This device's multi_Tx_factor is 1.0.

4. Test Configurations

4.1. WWAN (sub-6) & WLAN/BT transmission

This P_{limit} values, corresponding to 1.0 or 2.5 W/kg (1-g or 10-g respectively) of SAR_{design_target} , for technologies and bands supported by EUT are derived in Part 0 report and summarized in Table 5-1. Note all P_{limit} power levels entered in Table 5-1 correspond to average power levels plus tolerance after accounting for duty cycle in the case of TDD modulation schemes (for e.g., GSM, LTE TDD).

Table 5-1 : P_{limit} for supported technologies and bands (P_{limit} in EFS file)

Exposure condition			Folder Open Body	Folder Open Extremity	Folder Closed Body & Hotspot	Folder Closed Product Specific 10-g	Folder Open Head	Folder Closed Head	P _{max} (Maximum tune-up Power) (dBm)
Spatial-average			1g	10g	1g	10g	1g	1g	
Test distance (mm)			10	0	10	0	0	0	
Configuration			Folder Open	Folder Open	Folder Closed	Folder Closed	Folder Open	Folder Closed	
DSI:			0		1		2	3	
RF Air Interface	Antenna	Antenna Group	P _{limit} corresponding to 1.0 W/kg (SAR_{design_target}) (1g) / 2.5 W/kg (SAR_{design_target}) (10g)						
GSM 850	A, A+B	AG0	29.79		28.21		33.82	33.82	25.48
GSM 1900	B	AG0	18.49		18.49		34.73	34.73	22.24
WCDMA 5	A, A+B	AG0	26.75		27.86		33.21	33.21	24.50
LTE B2	B	AG0	19.00		19.00		32.85	32.85	24.00
LTE B5	A, A+B	AG0	26.64		28.52		33.35	33.35	24.50
LTE B12	A, A+B	AG0	26.96		27.63		31.93	31.93	24.50
LTE B13	A, A+B	AG0	29.92		29.86		33.75	33.75	24.50
LTE B26	A, A+B	AG0	26.69		28.40		33.25	33.25	24.50
LTE B66(4)	B	AG0	19.00		19.00		33.92	33.92	24.00
LTE B41 pc3	B	AG0	17.00		17.00		32.80	32.80	22.00
LTE B41 pc3 upper	F	AG1	19.00		19.00		18.00	28.95	22.00
NR Bn5	A, A+B	AG0	27.82		28.60		29.13	29.13	24.00
NR Bn66	B	AG0	19.00		19.00		32.39	32.39	24.00
NR Bn41	B	AG0	17.00		17.00		20.00	20.00	24.00
NR Bn41 Upper	F	AG1	19.00		19.00		19.00	20.00	24.00
DTS SISO Ant.2	G	AG1	20.29		23.38		17.00	17.00	18.00
DTS MIMO	H+G	AG1	20.49		21.79		17.00	17.00	18.00
UNII-2A MIMO	H+J	AG1	16.00		16.00		14.00	24.32	17.00
UNII-2C MIMO	H+J	AG1	16.00		16.00		14.00	24.47	17.00
UNII-3 MIMO	H+J	AG1	16.00		16.00		14.00	25.89	17.00
UNII-4 MIMO	H+J	AG1	16.00		16.00		14.00	25.03	17.00
WiFi 6e	H+J	AG1	21.12		15.22		24.43	24.43	9.00
Bluetooth Ant.1	H	AG1	25.12		27.82		28.92	28.92	17.00
Bluetooth Ant.2	G	AG1	20.53		21.38		20.14	20.14	15.00

* Maximum Tune-up Target Power, P_{max} is configured in NV settings in DUT to limit maximum average transmitting power. The DUT maximum allowed output power is equal to $P_{max} + 1.0$ dB device uncertainty.

Based on selection criteria described in Section 3.2.1, the selected technologies/bands for testing time-varying test sequences are highlighted in Table 5-1. During Part 2 testing, the $Reserve_power_margin$ (dB) is set in EFS according to the manufacturer guide.

As Part 1 and Part 2 testing took place in parallel the selected technologies/bands were chosen based upon anticipated values encountered during pretesting before Tx powers were finalized.

The radio configurations used in Part 2 test for selected technologies, bands, DSIs and antennas are listed in Table 5-2. The corresponding worst-case radio configuration 1g SAR or 10g SAR values for selected technology/band/DSI are extracted from Part 1 report and are listed in the last column of Table 5-2.

Based on equations (1a), (2a), (3a) and (4a), it is clear that Part 2 testing outcome is normalized quantity, which implies that it can be applied to any radio configuration within a selected technology/band/DSI. Thus, as long as applying the worst-case SAR obtained from the worst radio configuration in Part 1 testing to calculate time-varying SAR exposure in equations (1a), (2a), (3a) and (4a), the accuracy in compliance demonstrate remains the same.

If DSI's P_{limit} is higher than P_{max} , then P_{limit} is operate as P_{max} power.

Table 5-2 : WWAN/WLAN/BT Radio configurations selected for Part 2 test

Test Case	Test Scenario	Tech	Band	Antenna	DSI	Channel	Freq. (MHz)	RB/RB Offset/Bandwidth (MHz)	Mode	SAR Exposure Scenario	Worst configurations	Part 1 Worst Case Measured SAR at P _{limit} (W/kg)
1	Time-varying_SQ1	GSM	1900	B	0	512	1850.2	-	GPRS 2 Slots	Extremity 10g (UMPC)	Bottom - 0mm	1.430
	Time-varying_SQ2											
2	Time-varying_SQ1	LTE	B41	B	0	41055	2636.5	1/0/20 MHz	QPSK	Extremity 10g (UMPC)	Bottom - 0mm	2.270
	Time-varying_SQ2											
3	Time-varying_SQ1	NR	Bn66	B	1	349000	1745.0	1/108/40 MHz	DFT-s OFDM QPSK	Body 1g (Phablet)	Bottom - 10mm	0.609
	Time-varying_SQ2											
4	Time-varying_SQ#1	WLAN	5GHz	J	1	155	5775	80MHz	MIMO_802.11ac mode	Body 1g (Phablet)	Rear - 10mm	0.792
5	Change in Call	LTE	B41	B	0	41055	2636.5	1/0/20 MHz	QPSK	Extremity 10g (UMPC)	Bottom - 0mm	2.270
6	DSI Switch	LTE	B41	B	0	41055	2636.5	1/0/20 MHz	QPSK	Extremity 10g (UMPC)	Bottom - 0mm	2.270
					3	41055	2636.5	1/0/20 MHz	QPSK	Head (Phablet)	Right Touch - 0mm	0.079
7	Tech/Band/Antenna Switch	LTE	2	B	0	18700	1860.0	1/0/20 MHz	QPSK	Extremity 10g (UMPC)	Bottom - 0mm	1.720
		WCDMA	5	A	0	4183	836.6	-	Rel 99	Body 1g (UMPC)	Rear - 10mm	0.557
8	SAR1 vs SAR2 (EN-DC)	LTE	B13	A	1	23230	782.0	1/0/10 MHz	QPSK	Body 1g (Phablet)	Left - 10mm	0.289
		NR	Bn66	B	1	349000	1745.0	1/108/40 MHz	DFT-s OFDM QPSK	Body 1g (Phablet)	Bottom - 10mm	0.609
9	SAR1 vs SAR2 (WLAN DBS)	WLAN	2.4GHz	G	1	6	2437	20MHz	SISO_802.11b mode	Body 1g (Phablet)	Top - 10mm	0.336
		WLAN	5GHz	J	1	155	5775	80MHz	MIMO_802.11ac mode	Body 1g (Phablet)	Rear - 10mm	0.792
10	System Level Compliance Continuity	WWAN	LTE B41	F	1	41490	2680.0	1/99/20 MHz	QPSK	Body 1g (Phablet)	Top - 10mm	0.182
		WLAN	5GHz	J	1	155	5775	80MHz	MIMO_802.11ac mode	Body 1g (Phablet)	Rear - 10mm	0.792
		BT	Bluetooth	H	1	39	2441	-	EDR	Body 1g (Phablet)	Left - 10mm	0.101

Reported SAR values in Part 1 SAR report are tested at $P_{limit} + \text{tolerance}$. Therefore, 100s(or 60s) average SAR is shown to be ± 1.0 dB from SAR design target of WWAN bands, and 30s average SAR is shown to be ± 1.0 dB from SAR design target of WLAN bands.

Based on the selection criteria described in Section 3.2, the radio configurations for the Tx varying transmission test cases listed in Section 2 are:

1. Technologies and bands for time-varying Tx power transmission: The test case 1 ~ 4 listed in Table 5-2 are selected to test with the test sequences defined in Section 3.1 in both time-varying conducted power measurement and time-varying SAR measurement.
For WCDMA tech, P_{limit} is higher than P_{max} in All DSI's scenarios. So Time-varying test is not required.
2. Technology and band for change in call test: LTE Band 41 having the lowest P_{limit} among all technologies and bands (test case 5 in Table 5-2) is selected for performing the call drop test in conducted power setup.
3. Technologies and bands for change in technology/band/Antenna test: Following the guidelines in Section 3.2.3 and 3.2.4, test case 7 in Table 5-2 is selected for handover test from a technology/band/Antenna in Within one technology group (LTE Band 2, DSI=0, Ant.B), to a technology/band/Antenna in the same DSI within another technology group (WCDMA Band 5, DSI=0, Ant.A) in conducted power setup.
4. Technologies and bands for change in time-window:
For change in time-window test, WWAN has no scenario. And WWAN and WLAN are covered by System level compliance continuity test (test case 10) according to Qualcomm's guide. So Technologies and bands for change in time-window test is not required.
5. Technologies and bands for change in DSI: Based on selection criteria in Section 3.2.5, for a given technology and band, test case 6 in Table 5-2 is selected for DSI switch test by establishing a call in LTE Band 41 in DSI=0, and then handing over to DSI =3 exposure scenario in conducted power setup.
6. Technologies and bands for switch in SAR exposure (EN-DC): Based on selection criteria in Section 3.2.7 Scenario 1, test case 8 in Table 5-2 is selected for SAR exposure switching test in one of the supported simultaneous WWAN transmission scenario, i.e., LTE + Sub6 NR active in the same 100s time window, in conducted power setup.
7. Technologies and bands for switch in SAR exposure (WLAN DBS): Based on selection criteria in Section 3.2.7 Scenario 1, test case 9 in Table 5-2 is selected for SAR exposure switching test in one of the supported simultaneous WLAN transmission scenario, i.e., DBS(2.4GHz Radio+5GHz Radio) active in the same 30s time window, in conducted power setup.
8. System Level Compliance Continuity test (WWAN+WLAN+BT): Based on selection criteria in Section 3.2.8, test case 10 in Table 5-2 is selected for System Level Compliance Continuity test in one of the supported simultaneous WLAN+WLAN+BT transmission scenario.

5. Conducted Power Test Results for Sub-6 Smart Transmit Feature Validation

5.1. Measurement setup

WWAN Bands Measurement setup

GSM / WCDMA / LTE test setup using The Rohde & Schwarz CMW500 callbox

The Rohde & Schwarz CMW500 callbox is used in this test.

Test setup Schematic	Test item(s)	Description(s)	Test setup photo
Figure B-1(a)	Time-varying Tx power transmission test (Section 3.3.1)	Single antenna measurement, one port (RF1 COM) of callbox	A.1
	Change in Call test (Section 3.3.2)		
	Change in DSI test (Section 3.3.5)		
Figure B-1(b)	Change in antenna (Section 3.3.4)	two antenna measurement, one port (RF1 COM) of callbox	A.2
	Change in technology and band test (Section 3.3.3)		

LTE + Sub6 NR(NSA mode) test setup using The UXM callbox

The UXM callbox is used in this test.

Test setup Schematic	Test item(s)	Description(s)	Test setup photo
Figure B-1(c)	Time-varying Tx power transmission test (Section 3.3.1)	two different techs measurement, two ports (RF1 & RF8 COM) of callbox	A.3
	SAR exposure switch test (EN-DC) (Section 3.3.7)		

All the path losses from RF port of DUT to the callbox RF COM port and to the power meter are calibrated and automatically entered as offsets in the callbox and the power meter via test scripts on the PC used to control callbox and power meter.

Setup photos of Test setup Schematic are list in Appendix A.

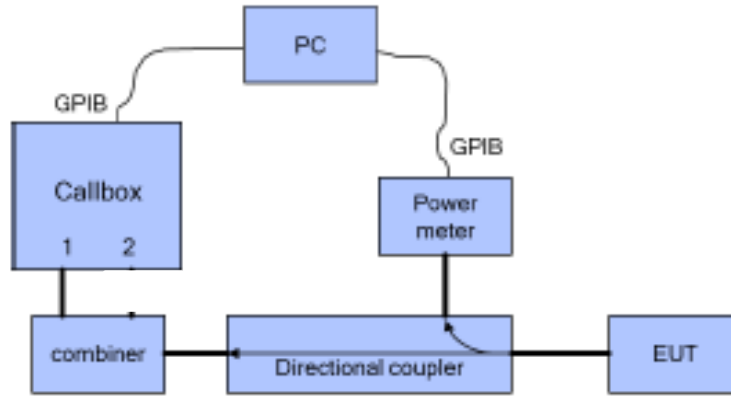


Figure B-1 (a)

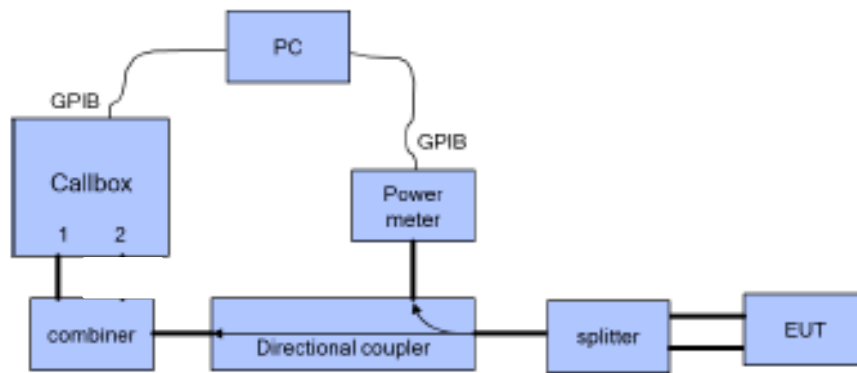


Figure B-1 (b)

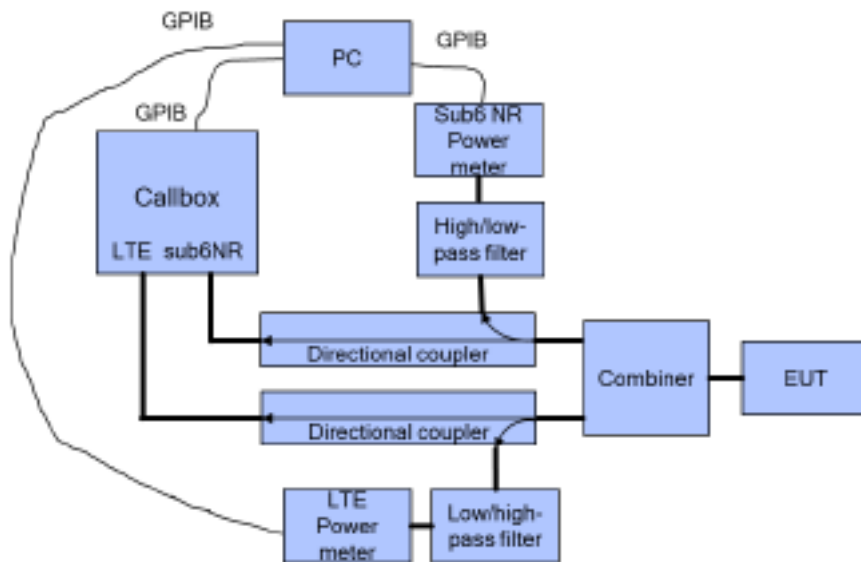


Figure B-1 (c)

WLAN Bands Measurement setup**WLAN test setup using The Rohde & Schwarz CMW500 callbox**

The Rohde & Schwarz CMW500 callbox is used in this test.

Test setup Schematic	Test item(s)	Description(s)	Test setup photo
Figure C-1(a)	Time-varying Tx power transmission test (Section 3.3.1)	Three antenna measurement, Three port (RF1 & RF3 & RF4 COM) of callbox	A.4
Figure C-1(b)	SAR exposure switch test (DBS) (Section 3.3.7)	Four antenna measurement, one port (RF1 COM) of callbox1, and three port (RF1 & RF2 & RF3) of callbox2	A.5
Figure C-1(c)	System level compliance continuity (Section 3.3.8)	Four antenna measurement, Three port (RF1 & RF3 & RF4 COM) of callbox	A.6

All the path losses from RF port of DUT to the callbox RF COM port and to the power meter are calibrated and automatically entered as offsets in the callbox and the power meter via test scripts on the PC used to control callbox and power meter.

Setup photos of Test setup Schematic are list in Appendix A.

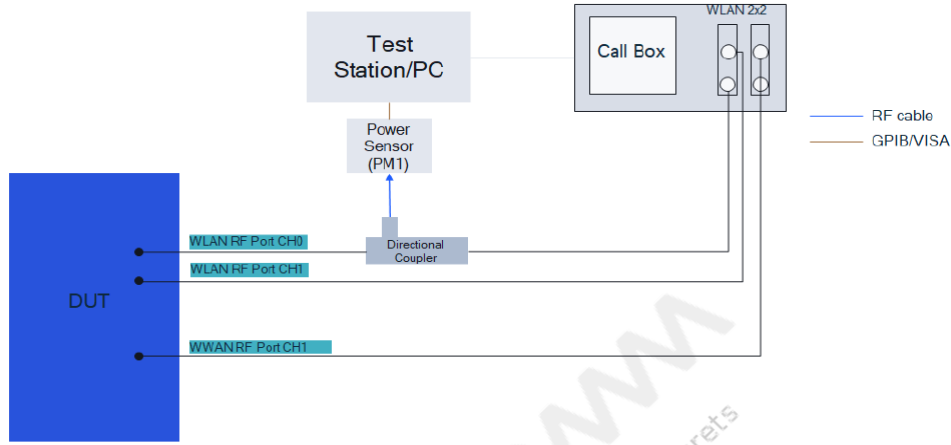


Figure C-1 (a)

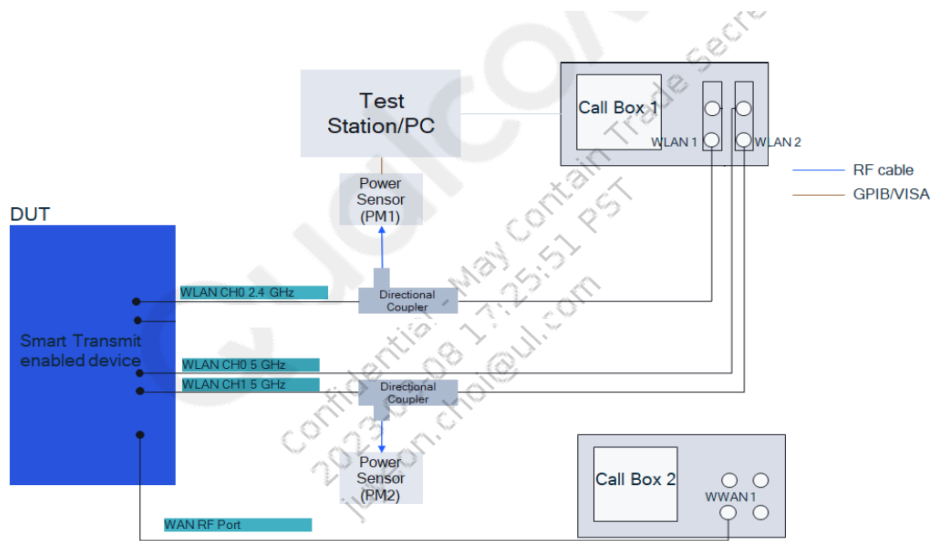


Figure C-1 (b)

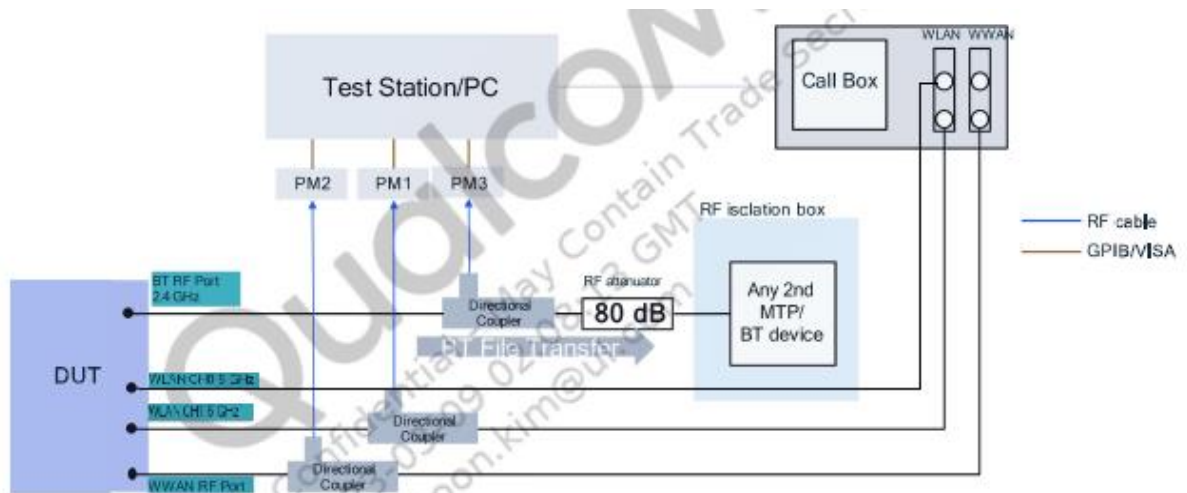


Figure C-1 (c)

Both the callbox and power meter are connected to the PC using LAN port. Two test scripts are custom made for automation, and the test duration set in the test scripts is about 500 seconds. For time-varying Tx power measurement, the PC runs the 1st test script to send LAN commands to control the callbox's requested power versus time, while at the same time to record the conducted power measured at EUT RF port using the power meter. The commands sent to the callbox to request power are:

WWAN Band measurement

- 0 dBm for 100 seconds
- Test sequence 1 or test sequence 2 (defined in Section 3.1 and generated in Section 3.2.1), For 360 seconds
- Stay at the last power level of test sequence 1 or sequence 2 for the remaining time.

WLAN Band measurement

- 0 dBm for 100 seconds
- Test sequence #1 (defined in Section 3.1 and generated in Section 3.2.1), For 200 seconds
- Stay at the last power level of test sequence #1 for the remaining time.

Power meter readings are periodically recorded every 100ms. A running average of this measured Tx power over 100 seconds is performed in the post-data processing to determine the 100s-time averaged power of WWAN Bands (the 30s-time averaged power of WLAN Bands).

For call drop, technology/band/antenna switch, and DSI switch tests, after the call is established, the callbox is set to request the EUT's Tx power at 0dBm for 100 seconds while simultaneously starting the 2nd test script runs at the same time to start recording the Tx power measured at EUT RF port using the power meter. After the initial 100 seconds since starting the Tx power recording, the callbox is set to request maximum power from the EUT for the rest of the test. Note that the call drop/re-establish, or technology/band/antenna switch or DSI switch is manually performed when the Tx power of EUT is at $P_{reserve}$ level. See Section 3.3 for detailed test procedure of call drop test, technology/band/antenna switch test and DSI switch test.

5.2. P_{limit} and P_{max} measurement results

This measured P_{limit} for all the selected radio configurations given in Table 5-2 are listed in below Table 6-1. P_{max} was also measured for radio configurations selected for testing time-varying Tx power transmission scenarios in order to generate test sequences following the test procedures in Section 3.1.

Table 6-1 : Measured P_{limit} and P_{max} of selected WWAN/WLAN/BT radio configurations
Note: the device uncertainty of P_{max} is +1.0dB/-1.5dB as provided by manufacturer.

Test Case	Test Scenario	Tech	Band	Antenna	DSI	Channel	Freq. (MHz)	RB/RB Offset/Bandwidth (MHz)	Mode	SAR Exposure Scenario	Worst configurations	Part 1 Worst Case Measured SAR at P_{limit} (W/kg)	P_{limit} (dBm)	measured P_{limit} (dBm)	Tune-up P_{max} (dBm)	Measured P_{max} (dBm)
1	Time-varying_SQ1	GSM	1900	B	0	512	1850.2	-	GPRS 2 Slots	Extremity 10g (UMPC)	Bottom - 0mm	1.430	18.49	17.99	21.98	22.30
	Time-varying_SQ2															
2	Time-varying_SQ1	LTE	B41	B	0	41055	2636.5	1/0/20 MHz	QPSK	Extremity 10g (UMPC)	Bottom - 0mm	2.270	17.00	17.21	22.00	22.11
	Time-varying_SQ2															
3	Time-varying_SQ1	NR	Bn66 (NSA)	B	1	349000	1745.0	1/108/40 MHz	DFT-s OFDM QPSK	Body 1g (Phablet)	Bottom - 10mm	0.609	19.00	19.25	24.00	23.62
	Time-varying_SQ2															
4	Time-varying_SQ#1	WLAN	5GHz	J	1	155	5775	80MHz	MIMO_802.11ac mode	Body 1g (Phablet)	Rear - 10mm	0.792	16.00	16.54	17.00	17.07
5	Change in Call	LTE	B41	B	0	41055	2636.5	1/0/20 MHz	QPSK	Extremity 10g (UMPC)	Bottom - 0mm	2.270	17.00	17.21	22.00	22.11
6	DSI Switch	LTE	B41	B	0	41055	2636.5	1/0/20 MHz	QPSK	Extremity 10g (UMPC)	Bottom - 0mm	2.270	17.00	17.21	22.00	22.11
					3	41055	2636.5	1/0/20 MHz	QPSK	Head (Phablet)	Right Touch - 0mm	0.079	22.00	22.11	22.00	22.11
7	Tech/Band/Antenna Switch	LTE	2	B	0	18700	1860.0	1/0/20 MHz	QPSK	Extremity 10g (UMPC)	Bottom - 0mm	1.720	19.00	19.56	24.00	24.26
		WCDMA	5	A	0	4183	836.6	-	Rel 99	Body 1g (UMPC)	Rear - 10mm	0.557	24.50	24.34	24.50	24.34
8	SAR1 vs SAR2 (EN-DC)	LTE	B13	A	1	23230	782.0	1/0/10 MHz	QPSK	Body 1g (Phablet)	Left - 10mm	0.289	24.50	24.45	24.50	24.45
		NR	Bn66	B	1	349000	1745.0	1/108/40 MHz	DFT-s OFDM QPSK	Body 1g (Phablet)	Bottom - 10mm	0.609	19.00	19.25	24.00	23.62
9	SAR1 vs SAR2 (WLAN DBS)	WLAN	2.4GHz	G	1	6	2437	20MHz	SISO_802.11b mode	Body 1g (Phablet)	Top - 10mm	0.336	18.00	17.30	18.00	17.30
		WLAN	5GHz	J	1	155	5775	80MHz	MIMO_802.11ac mode	Body 1g (Phablet)	Rear - 10mm	0.792	16.00	16.54	17.00	17.07
10	System Level Compliance Continuity	WWAN	LTE B41	F	1	41490	2680.0	1/99/20 MHz	QPSK	Body 1g (Phablet)	Top - 10mm	0.182	19.00	19.26	22.00	22.12
		WLAN	5GHz	J	1	155	5775	80MHz	MIMO_802.11ac mode	Body 1g (Phablet)	Rear - 10mm	0.792	16.00	16.54	17.00	17.07
		BT	Bluetooth	H	1	39	2441	-	EDR	Body 1g (Phablet)	Left - 10mm	0.101	14.50	13.05		

Notes:

- For GSM, LTE TDD Bands, Tests including duty-cycle transmit are normalized to frame average.
- For Test Scenario.10 (System Level Compliance Continuity), BT mode was connect EDR mode during test. Therefore, P_{limit} was measured at EDR mode.

BT P_{limit} calculation Results

Bluetooth	
Measured_BT_power-as measured test tree (dBm)	11.75
BT_Duty_Cycle	0.78
BT_STANDALONE	0.95
Measured BT P_{limit} (dBm)	13.05

Notes:

BT P_{limit} calculation follow Appendix S in Qualcomm document (80-W2112-5).

5.3. Time-varying Tx power measurement results (test case 1–4 in Table 5-2)

The measurement setup is shown in Figures B-1(a) of GSM/LTE, Figures B-1(c) of NR and Figures C-1(a) of WLAN. The purpose of the time-varying Tx power measurement is to demonstrate the effectiveness of power limiting enforcement and that the time-averaged Tx power when represented in time-averaged 1gSAR or 10gSAR values does not exceed FCC limit as shown in Eq.(1a) and (1b), rewritten below:

$$1g_or_10gSAR(t) = \frac{conducted_Tx_power(t)}{conducted_Tx_power_P_{limit}} * 1g_or_10gSAR_P_{limit} \quad (1a)$$

$$\frac{\frac{1}{T_{SAR}} \int_{t-T_{SAR}}^t 1g_or_10gSAR(t) dt}{FCC\ SAR\ limit} \leq 1 \quad (1b)$$

Where, *conducted_Tx_power(t)*, *conducted_Tx_power_P_{limit}*, and *1g_or_10gSAR_P_{limit}* correspond to the measured instantaneous conducted Tx power, measured conducted Tx power at *P_{limit}*, and measured 1gSAR and 10gSAR value at *P_{limit}* reported in Part 1 test (listed in Table 5-2 of this report as well). Following the test procedure in Section 3.3, the conducted Tx power measurement for all selected configurations are reported in this section. In all the conducted Tx power plots, the dotted line represents the requested power by callbox (WWAN : test sequence 1 or test sequence 2 & WLAN : test sequence #1), the blue curve represents the instantaneous conducted Tx power measured using power meter, the green curve represents time-averaged power and red line represents the conducted power limit that corresponds to FCC limit of 1.6 W/kg for 1gSAR or 4.0 W/kg for 10gSAR.

Similarly, in all the 1g or 10gSAR plots (when converted using Eq. (1a)), the green curve represents the 100s/60s-time averaged 1gSAR or 10gSAR value calculated based on instantaneous 1gSAR or 10gSAR; and the red line limit represents the FCC limit of 1.6 W/kg for 1gSAR or 4.0 W/kg for 10gSAR.

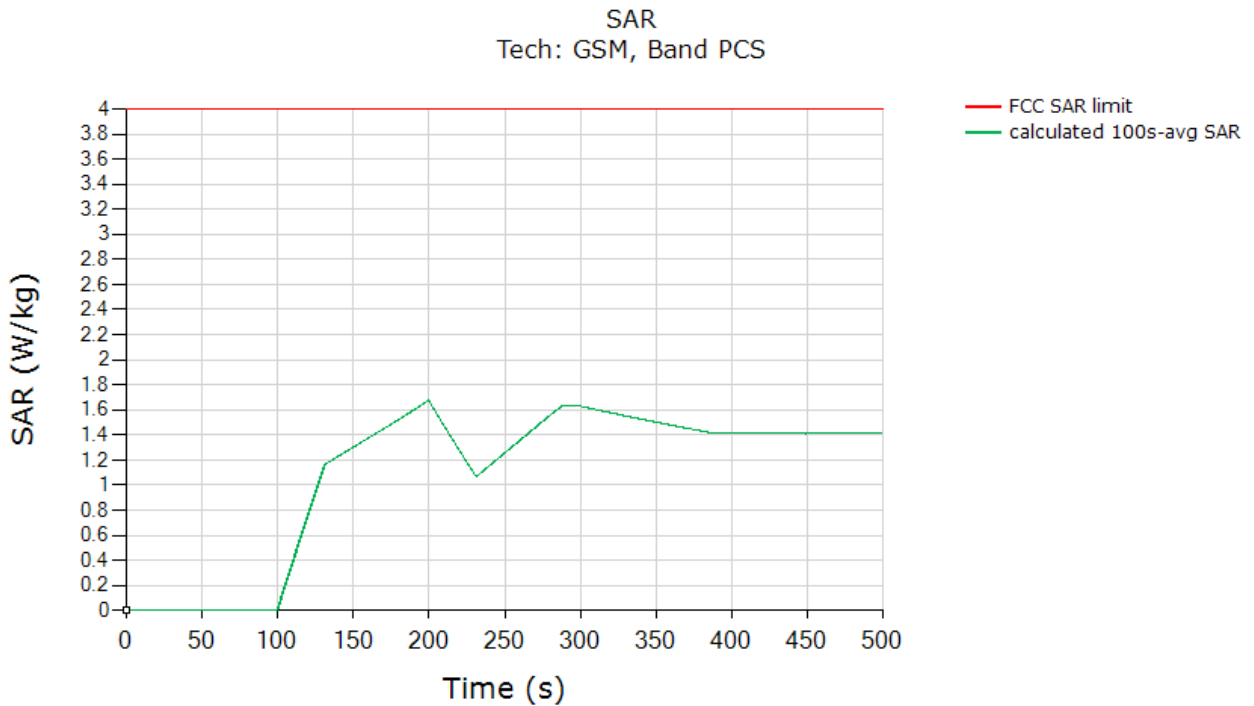
Time-varying Tx power measurements were conducted on test case #1 ~ #3 in Table 5-2, by generating test sequence 1 and test sequence 2 given in Section A using measured *P_{limit}* and measured Pmax (last two columns of Table 6-1) for each of these test cases. Measurement results for test cases #1 ~ #4 are given in Sections 5.3.1 – 5.3.3.

Time-varying Tx power measurements were conducted on test case #4 in Table 5-2, by generating test sequence #1 in Section A using measured *P_{limit}* and measured Pmax (last two columns of Table 6-1) for each of these test cases. Measurement results for test cases #4 is given in Sections 5.3.4.

5.3.1 GSM Band 1900

Test result for test sequence 1:

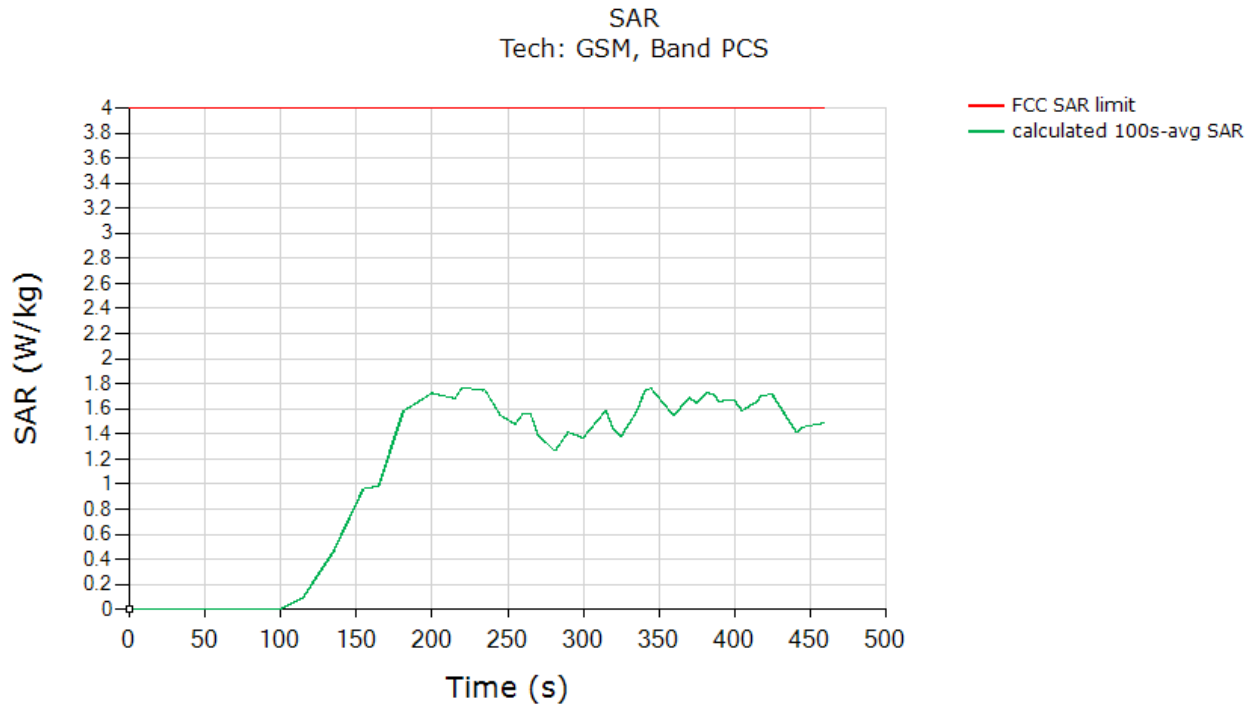
Time-averaged conducted Tx power is converted/calculated into time-averaged SAR using Equation (1a) and plotted below to demonstrate that the time-averaged SAR versus time does not exceed the FCC limit for SAR (1.6W/kg for 1g SAR or 4.0W/kg for 10g SAR):



	(W/kg)
FCC 10gSAR limit	4.0
Max 100s-time averaged 10gSAR (green curve)	1.678
Validated : Max time averaged SAR (green curve) is within 1 dB device uncertainty of measured SAR at P_{limit} (Table 5-2).	

Test result for test sequence 2:

Time-averaged conducted Tx power is converted/calculated into time-averaged SAR using Equation (1a) and plotted below to demonstrate that the time-averaged SAR versus time does not exceed the FCC limit for SAR (1.6W/kg for 1g SAR or 4.0W/kg for 10g SAR):

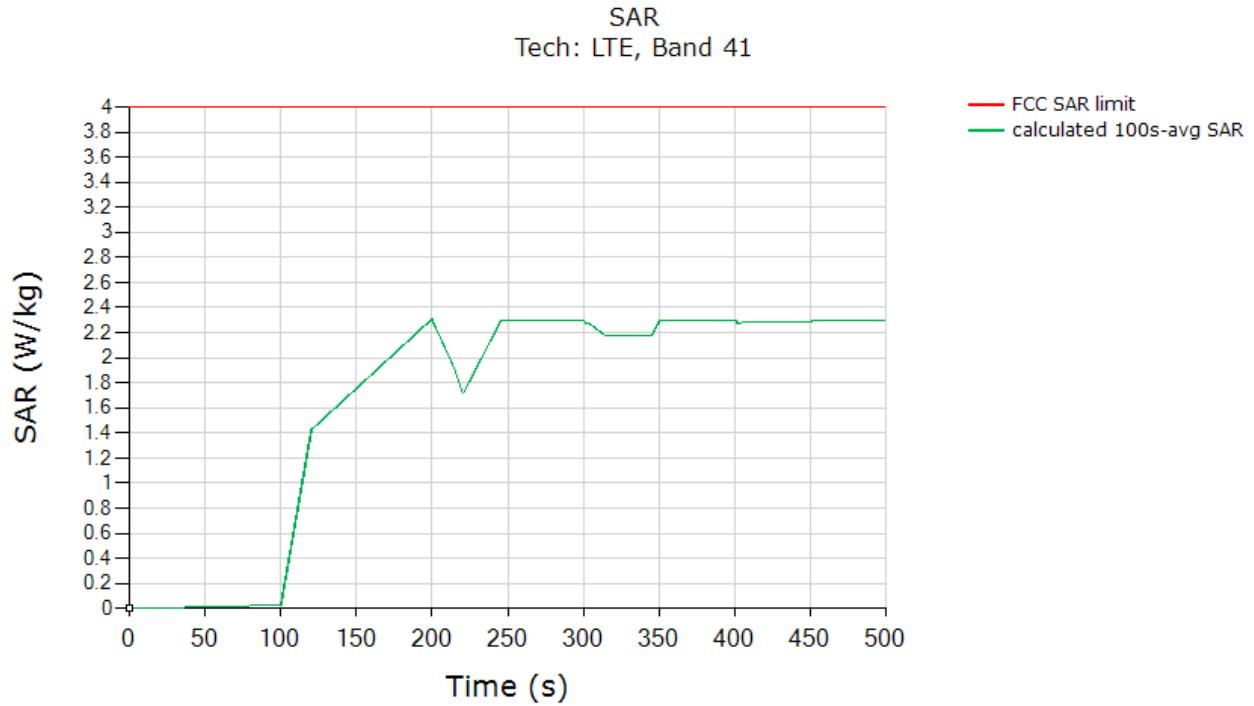


	(W/kg)
FCC 10gSAR limit	4.0
Max 100s-time averaged 1gSAR (green curve)	1.768
Validated : Max time averaged SAR (green curve) is within 1 dB device uncertainty of measured SAR at P_{limit} (Table 5-2).	

5.3.2 LTE Band 41

Test result for test sequence 1:

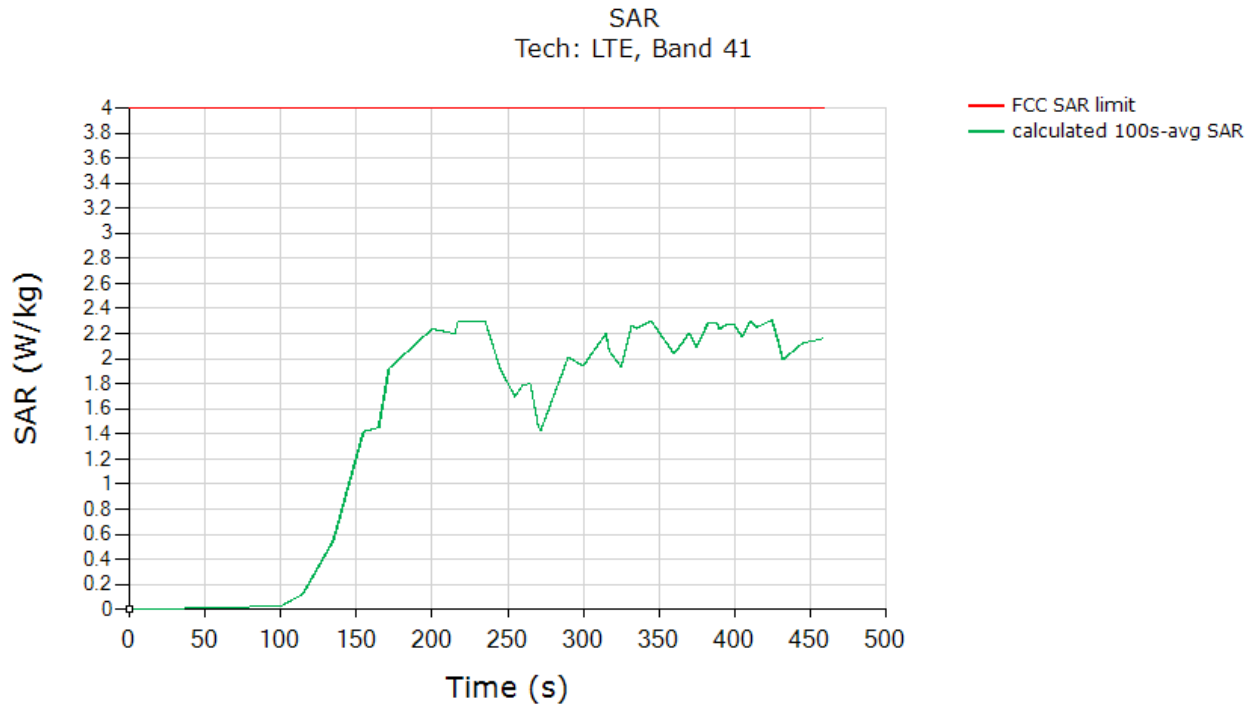
Time-averaged conducted Tx power is converted/calculated into time-averaged SAR using Equation (1a) and plotted below to demonstrate that the time-averaged SAR versus time does not exceed the FCC limit for SAR (1.6W/kg for 1g SAR or 4.0W/kg for 10g SAR):



FCC 1gSAR limit	(W/kg)
	1.6
Max 100s-time averaged 1gSAR (green curve)	2.309
Validated : Max time averaged SAR (green curve) is within 1 dB device uncertainty of measured SAR at P_{limit} (Table 5-2).	

Test result for test sequence 2:

Time-averaged conducted Tx power is converted/calculated into time-averaged SAR using Equation (1a) and plotted below to demonstrate that the time-averaged SAR versus time does not exceed the FCC limit for SAR (1.6W/kg for 1g SAR or 4.0W/kg for 10g SAR):

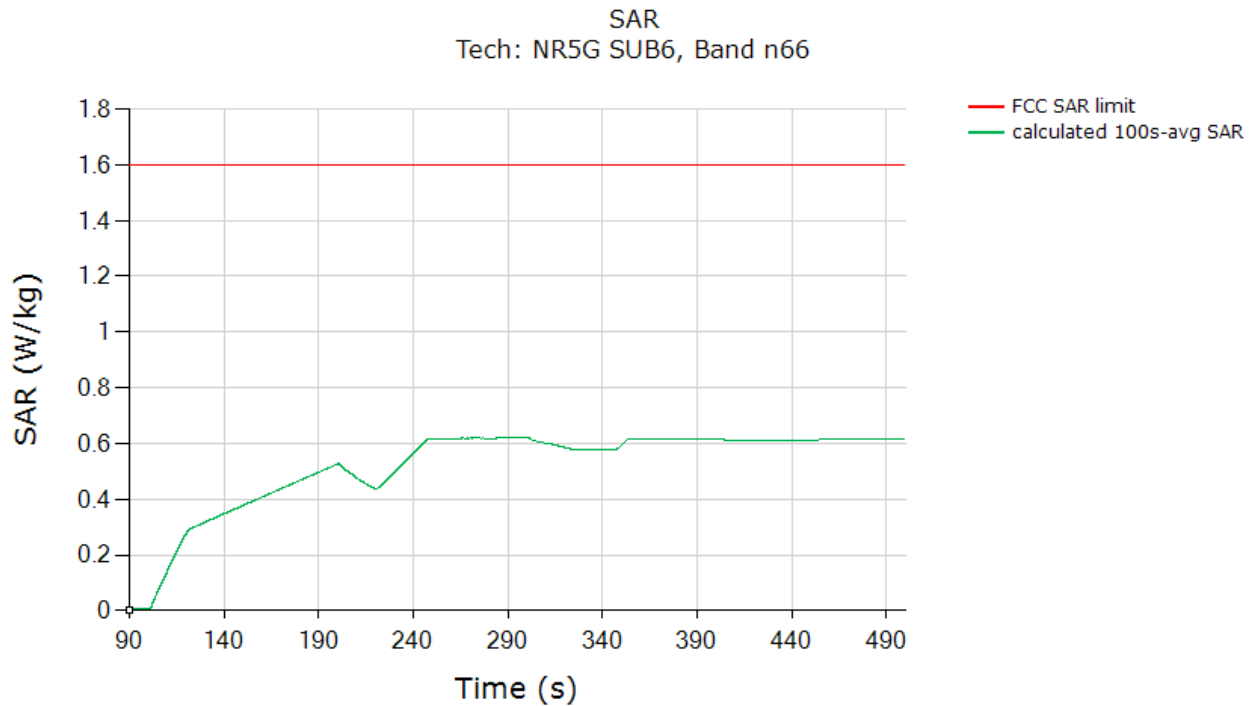


	(W/kg)
FCC 1gSAR limit	1.6
Max 100s-time averaged 1gSAR (green curve)	2.309
Validated : Max time averaged SAR (green curve) is within 1 dB device uncertainty of measured SAR at P_{limit} (Table 5-2).	

5.3.3 NR Band n66

Test result for test sequence 1:

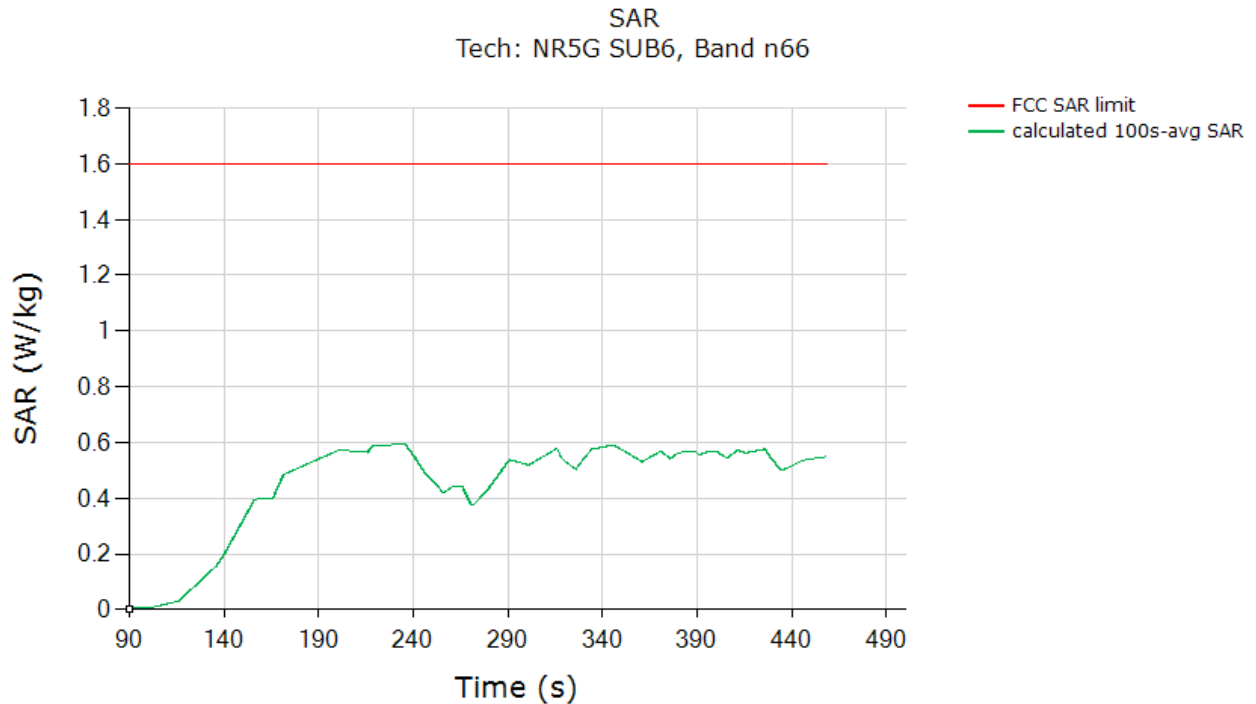
Time-averaged conducted Tx power is converted/calculated into time-averaged SAR using Equation (1a) and plotted below to demonstrate that the time-averaged SAR versus time does not exceed the FCC limit for SAR (1.6W/kg for 1g SAR or 4.0W/kg for 10g SAR):



	(W/kg)
FCC 1gSAR limit	1.6
Max 100s-time averaged 10gSAR (green curve)	0.619
Validated : Max time averaged SAR (green curve) is within 1 dB device uncertainty of measured SAR at P_{limit} (Table 5-2).	

Test result for test sequence 2:

Time-averaged conducted Tx power is converted/calculated into time-averaged SAR using Equation (1a) and plotted below to demonstrate that the time-averaged SAR versus time does not exceed the FCC limit for SAR (1.6W/kg for 1g SAR or 4.0W/kg for 10g SAR):

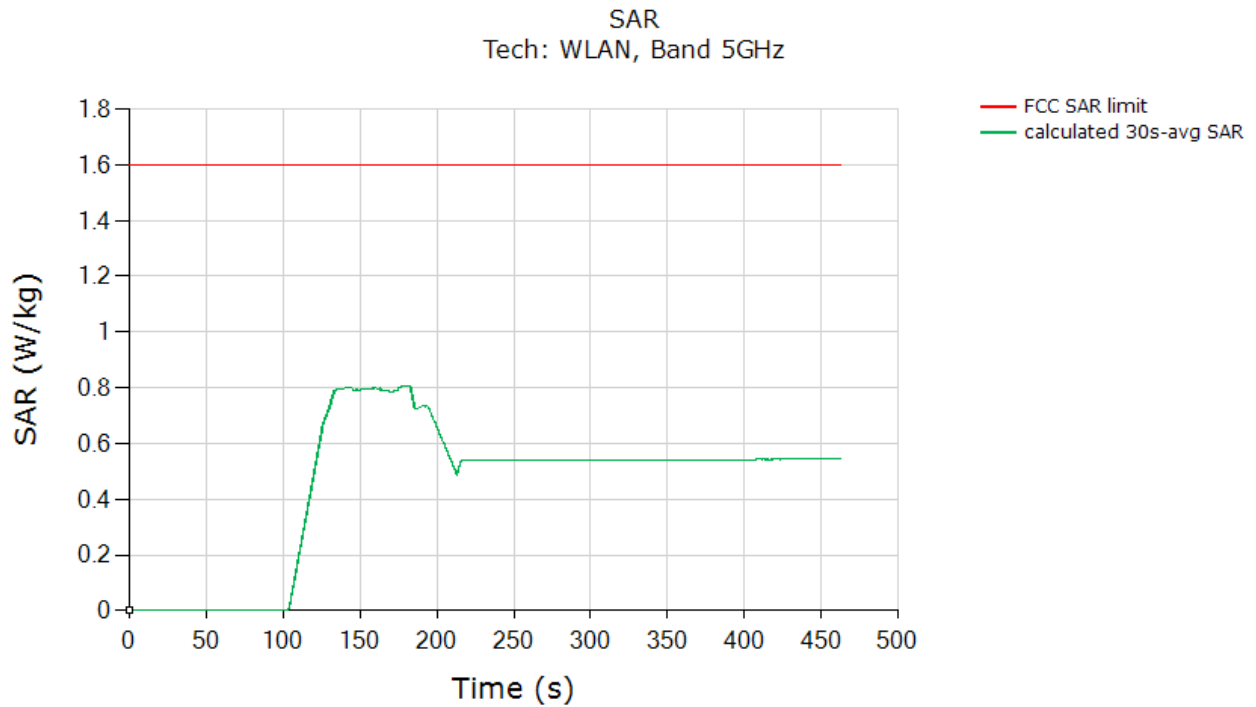


	(W/kg)
FCC 1gSAR limit	1.6
Max 100s-time averaged 10gSAR (green curve)	0.592
Validated : Max time averaged SAR (green curve) is within 1 dB device uncertainty of measured SAR at P_{limit} (Table 5-2).	

5.3.4 5GHz MIMO (802.11ac_VHT80)

Test result for test sequence #1:

Time-averaged conducted Tx power is converted/calculated into time-averaged SAR using Equation (1a) and plotted below to demonstrate that the time-averaged SAR versus time does not exceed the FCC limit for SAR (1.6W/kg for 1g SAR or 4.0W/kg for 10g SAR):



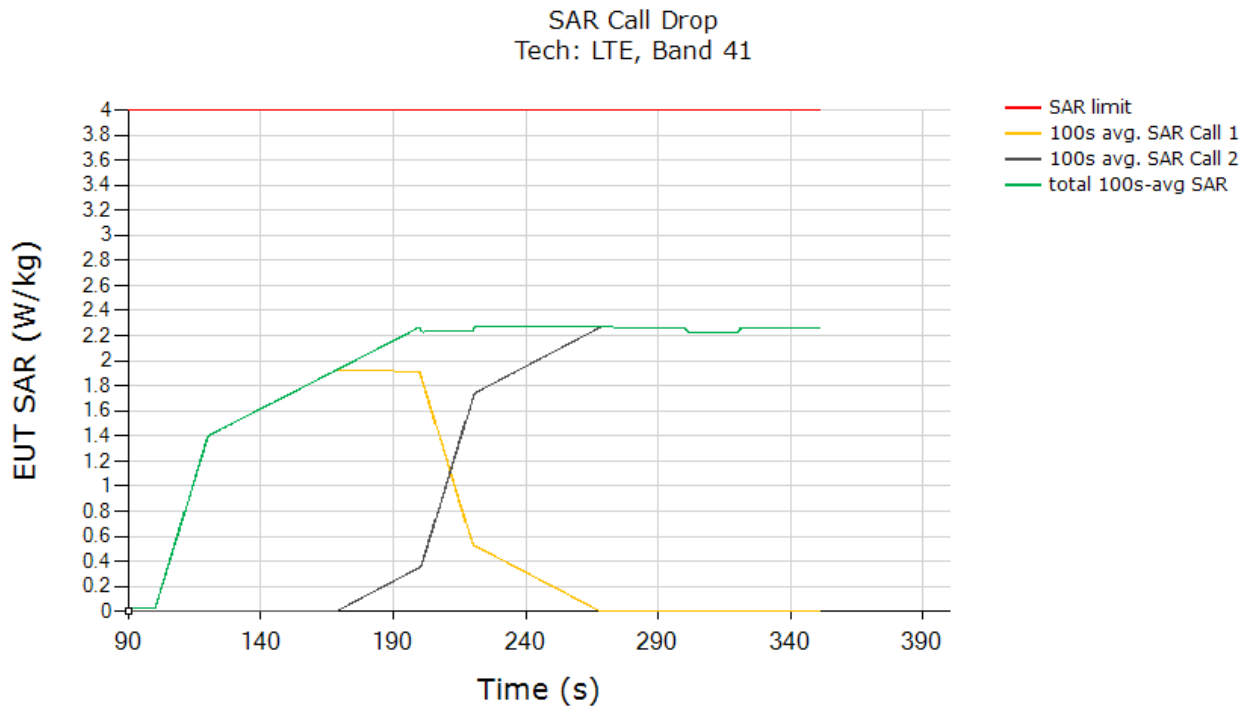
	(W/kg)
FCC 1gSAR limit	1.6
Max 30s-time averaged 1gSAR (green curve)	0.807
Validated : Max time averaged SAR (green curve) is within 1 dB device uncertainty of measured SAR at P_{limit} (Table 5-2).	

5.4. Change in Call Test Results (test case 5 in Table 5-2)

This test was measured with LTE Band 41, Ant.B, DSI =0, and with callbox requesting maximum power. The call drop was manually performed when the EUT is transmitting at $P_{reserve}$ level as shown in the plot below (dotted black region). The measurement setup is shown in Figure B-1(a). The detailed test procedures is described in Section 3.3.2.

Call drop test result:

Time-averaged conducted Tx power is converted/calculated into time-averaged SAR using Equation (1a) and plotted below to demonstrate that the time-averaged SAR versus time does not exceed the FCC limit for SAR(1.6W/kg for 1g SAR or 4.0W/kg for 10g SAR):



	(W/kg)
FCC 1gSAR limit	4.0
Max 100s-time averaged 1gSAR (green curve)	2.269
Validated	

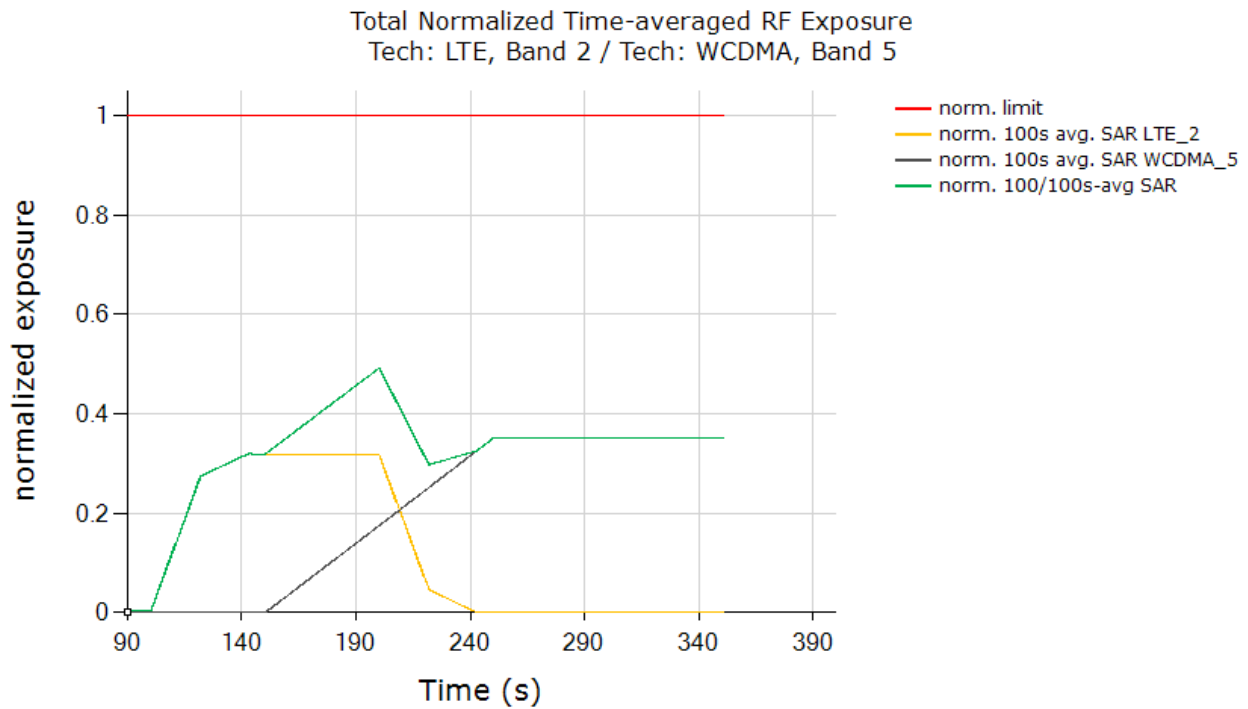
The test result validated the continuity of power limiting in call change scenario.

5.5. Change in technology/band/Antenna test results (test case 7 in Table 5-2)

This test was conducted with callbox requesting maximum power, and with technology switch from LTE Band 2, Ant.B, DSI =0 to WCDMA Band 5, Ant.A, DSI = 0. Following procedure detailed in Section 3.3.3 & 3.3.4, and using the measurement setup shown in Figure B-1 (b), the technology/band switch was performed when the EUT is transmitting at $P_{reserve}$ level as shown in the plot below (dotted black region).

Test result for change in technology/band:

Time-averaged conducted Tx power measurement results were converted into time-averaged normalized SAR values using Equation (6a), (6b) and (6c), and plotted below to demonstrate that the time-average normalized SAR versus time does not exceed the normalized FCC limit of 1.0:



	(W/kg)
FCC normalized SAR limit	1.0
Max 100s-time averaged normalized SAR (green curve)	0.492
Validated	

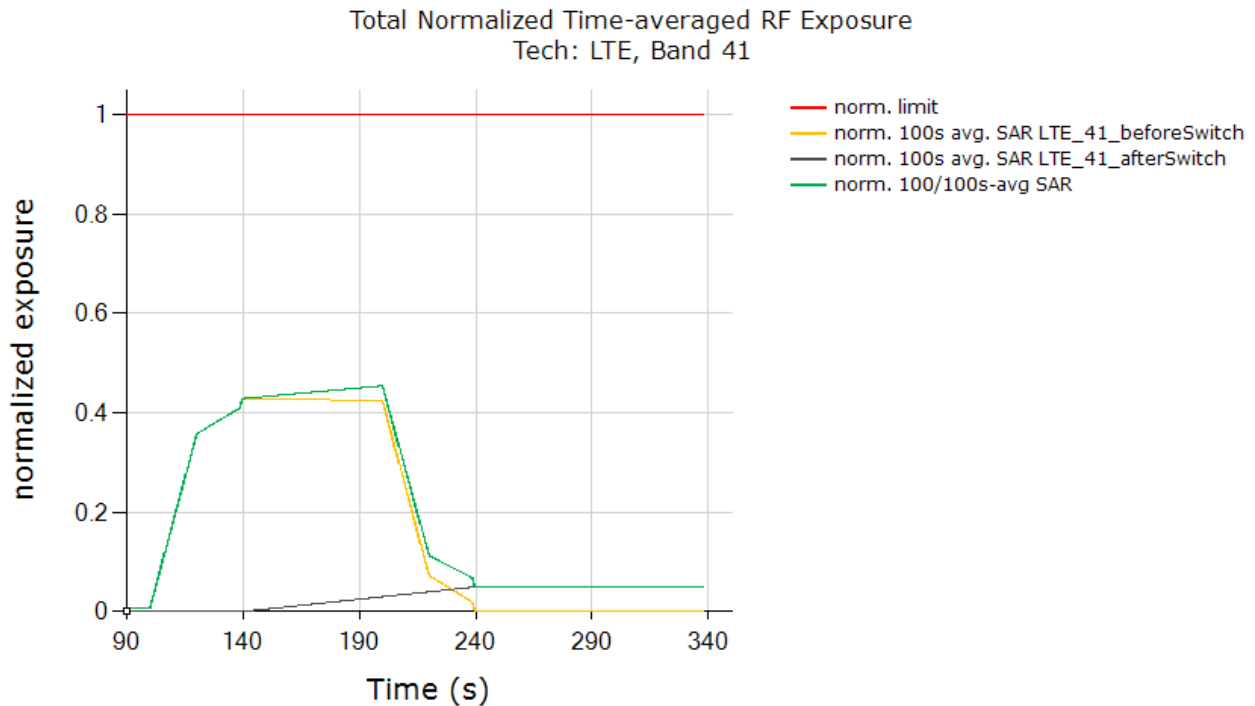
The test result validated the continuity of power limiting in technology/band switch scenario.

5.6. Change in DSI test results (test case 6 in Table 5-2)

This test was conducted with callbox requesting maximum power, and with DSI switch from LTE Band 41 Ant.B DSI = 0 to DSI = 3. Following procedure detailed in Section 3.3.5 using the measurement setup shown in Figure B-1(a), the DSI switch was performed when the EUT is transmitting at $P_{reserve}$ level as shown in the plot below (dotted black circle).

Test result for change in DSI:

All the time-averaged conducted Tx power measurement results were converted into time-averaged normalized SAR values using Equation (6a), (6b) and (6c), and plotted below to demonstrate that the time-average normalized SAR versus time does not exceed the normalized FCC limit of 1.0 unit.

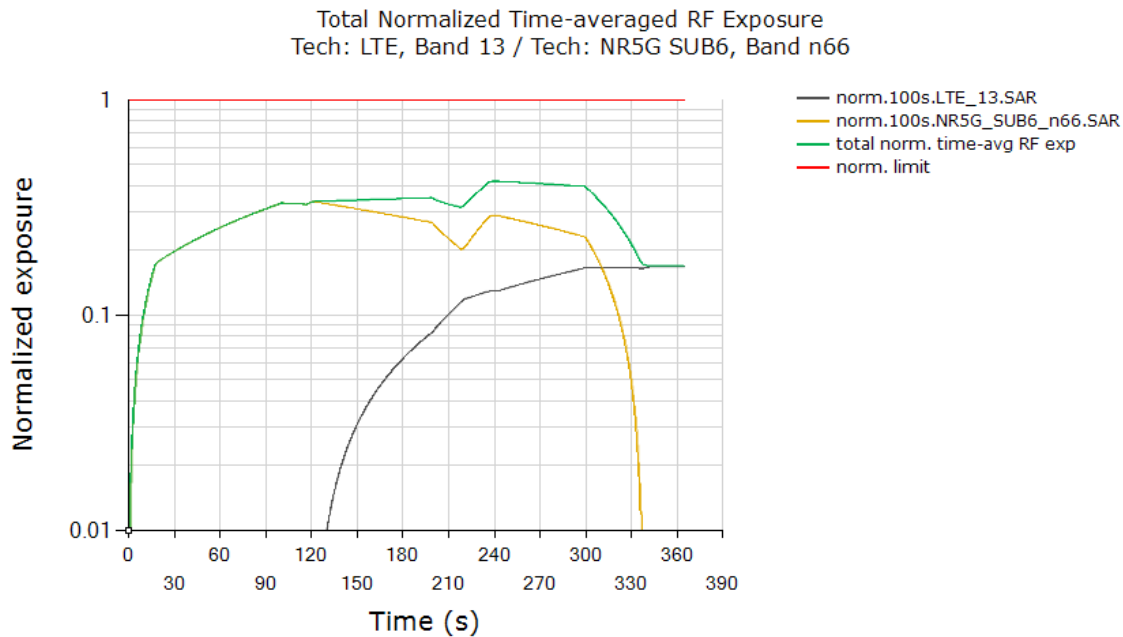


	(W/kg)
FCC normalized SAR limit	1.0
Max 100s-time averaged normalized SAR (green curve)	0.454
Validated	

The test result validated the continuity of power limiting in DSI scenario.

5.7. Switch in SAR exposure (WWAN-ENDC) test result (test case 8 in Table 5-2)

This test was conducted with callbox requesting maximum power, and with the EUT in LTE Band 13 + Sub6 NR Band n66 call. Following procedure detailed in Section 3.3.7 and Section B.2, and using the Measurement setup shown in Figure B-1(c) since LTE and Sub6 NR are sharing the same antenna port, the SAR exposure switch measurement is performed with the EUT in various SAR exposure scenarios, All the conducted Tx power measurement results were converted into time-averaged normalized SAR values using Equation (7a), (7b) and (7c), and plotted below to demonstrate that the time-averaged normalized SAR versus time does not exceed the FCC limit of 1.0 unit. Equation (7a) is used to convert the LTE Tx power of device to obtain 100s-averaged normalized SAR in LTE Band 13 as show in black curve. Similarly, equation (7b) is used to obtain 100s-averaged normalized SAR in Sub6 NR Band n66 as shown in orange curve. Equation (7c) is used to obtain total time-averaged normalized SAR as shown in green curve (i.e., sum of black and orange curves).

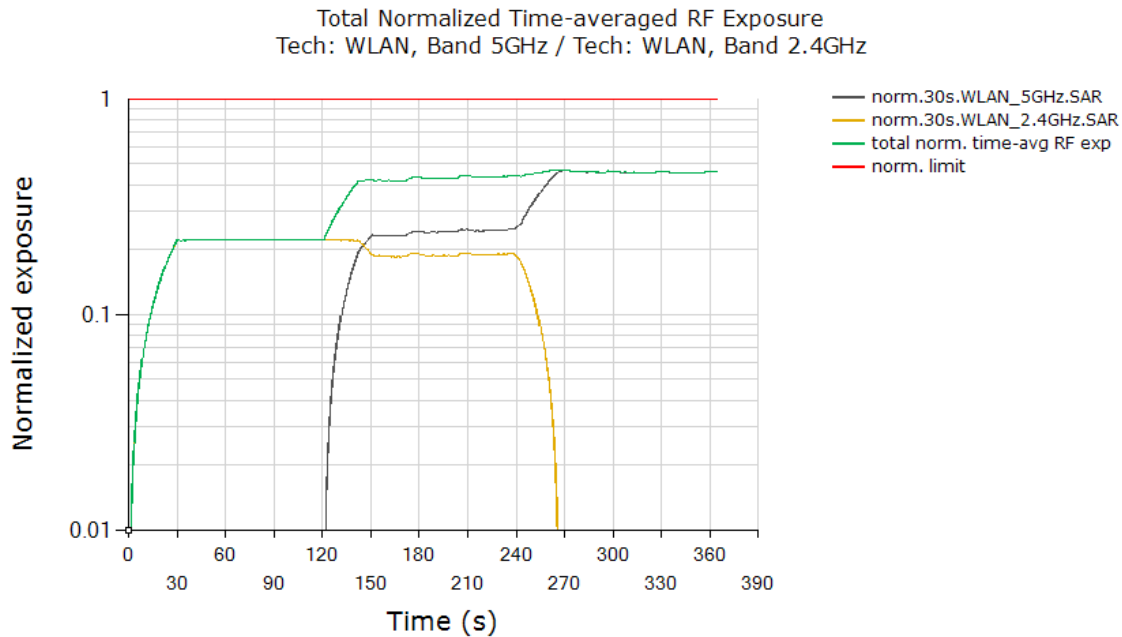


	(W/kg)
FCC normalized total exposure limit	1.0
Max 100s-time averaged normalized SAR (green curve)	0.419
Validated	

Plot Notes: Device starts predominantly in Sub6 NR SAR exposure scenario between 0s and 120s, and LTE SAR + Sub6 NR SAR exposure scenario between 120s and 240s, and in predominantly in LTE SAR exposure scenario after t=240s, Here, This corresponds to a normalized 1gSAR exposure value = 0.609 W/kg measured SAR at Sub6 NR $P_{limit} / 1.6$ W/kg limit = 0.381 ± 1.0dB device related uncertainty (see orange curve between 0s~120s). For predominantly LTE SAR exposure scenario, maximum normalized 1gSAR exposure should correspond to 100% exposure margin = 0.289 W/kg measured SAR at LTE $P_{limit} / 1.6$ W/kg limit = 0.181 ± 1.0dB device related uncertainty (see black curve after t = 240s). Additionally, in SAR exposure switch test, at all times the total time-averaged normalized RF exposure (green curve) should not exceed normalized SAR_design_target + 1.0dB device uncertainty. In this test, with a maximum normalized SAR of 0.419 being ≤ 0.79 (= 1.0/1.6 + 1.0dB device uncertainty), the above test result validated the continuity of power limiting in SAR exposure switch scenario.

5.8. Switch in SAR exposure (WLAN-DBS) test result (test case 9 in Table 5-2)

This test was conducted with callbox requesting maximum power, and with the EUT in 2.4GHz SISO(802.11b) + 5GHz MIMO(802.11ac_VHT80) call. Following procedure detailed in Section 3.3.7 and Section B.2, and using the Measurement setup shown in Figure C-1(b) since 2.4GHz SISO(Ant.G) and 5GHz MIMO(Ant.J) are sharing the different antenna port, the SAR exposure switch measurement is performed with the EUT in various SAR exposure scenarios, All the conducted Tx power measurement results were converted into time-averaged normalized SAR values using Equation (7a), (7b) and (7c), and plotted below to demonstrate that the time-averaged normalized SAR versus time does not exceed the FCC limit of 1.0 unit. Equation (7a) is used to convert the WLAN Tx power of device to obtain 30s-averaged normalized SAR in 2.4GHz MIMO(802.11ac) as show in black curve. Similarly, equation (7b) is used to obtain 30s-averaged normalized SAR in 5GHz MIMO(802.11ac_VHT20) as shown in orange curve. Equation (7c) is used to obtain total time-averaged normalized SAR as shown in green curve (i.e., sum of black and orange curves).



	(W/kg)
FCC normalized total exposure limit	1.0
Max 30s-time averaged normalized SAR (green curve)	0.469
Validated	

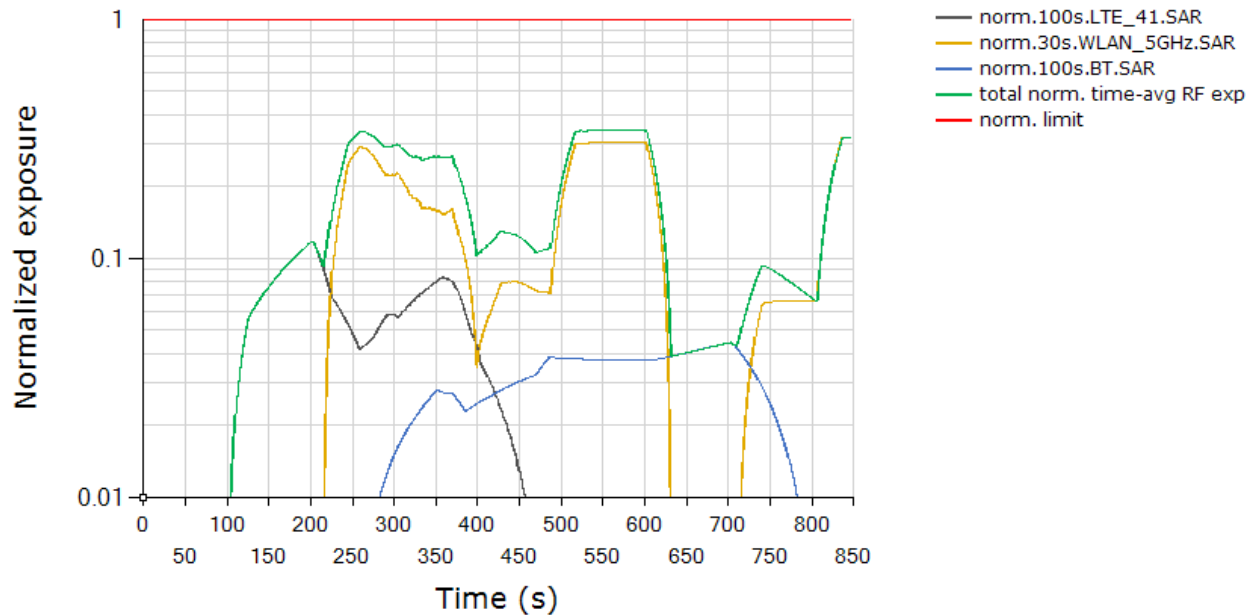
Plot Notes: Device starts predominantly in 5GHz MIMO(802.11ac_VHT80) SAR exposure scenario between 0s and 120s, and 2.4GHz SISO(802.11b) + 5GHz MIMO(802.11ac_VHT80) SAR exposure scenario between 120s and 240s, and in predominantly in 2.4GHz SISO(802.11b) exposure scenario after t=240s, in SAR exposure switch test, at all times the total time-averaged normalized RF exposure (green curve) should not exceed normalized SAR_design_target + 1.0dB device uncertainty. In this test, with a maximum normalized SAR of 0.469 being ≤ 0.79 ($= 1.0/1.6 + 1.0\text{dB}$ device uncertainty), the above test result validated the continuity of power limiting in SAR exposure switch scenario.

5.9. System Level Compliance Continuity test results (test case 10 in Table 5-2)

Following procedure detailed in Section 3.3.8 using the measurement setup shown in Figure C-1(c). Tech/Band/Ant/DSI and Parameters & Values used in the test are shown in the table;

Tech/Band/Ant/DSI	Parameters	Values	
	multi_Tx_factor	1.0	
LTB B41/Ant.F/DSI=1	meas. Pmax	22.12	dBm
	meas. Plimit	19.26	dBm
	meas. 10gSAR at Plimit	0.182	W/kg
	Time window applied for averaging	100s	
5GHz(802.11ac_80MHz) /Ant.J/DSI=1	meas. Pmax	17.07	dBm
	meas. Plimit	16.54	dBm
	meas. 1gSAR at Plimit	0.792	W/kg
	Time window applied for averaging	30s	
BT(EDR)/Ant.H/DSI=1	meas. Plimit	13.05	dBm
	meas. 1gSAR at Plimit	0.101	W/kg
	Time window applied for averaging	100s	

Total Normalized Time-averaged RF Exposure
 Tech: WLAN, Band 5GHz / Tech: LTE, Band 41 / Tech: BT



Max total time averaged normalized SAR (green curve)	0.343
Validated	

In this test, the total time-averaged normalized RF exposure (green curve) did not exceed normalized limit of 1.0 at all times, the above test result validated the total RF exposure compliance in system level compliance continuity test scenario.

6. Test Equipment

The measuring equipment used to perform the tests documented in this report has been calibrated in accordance with the manufacturers' recommendations, and is traceable to recognized national standards.

Conducted test

Name of Equipment	Manufacturer	Type/Model	Serial No.	Cal. Due Date
UXM 5G Wireless Test Platform	Keysight	E7515B	MY59150850	1-9-2024
Base Station Simulator	R & S	CMW500	169803	1-5-2024
Base Station Simulator	R & S	CMW500	169799	8-2-2023
Directional Coupler	MINI-CIRCUITS	ZUDC20-183+	N/A	8-2-2023
Directional Coupler	MINI-CIRCUITS	ZUDC20-183+	N/A	8-2-2023
Directional Coupler	KRYTAR	100318010	215542	1-5-2024
Resistive Power Splitter	WEINSCHEL	1534	S0244	1-5-2024
Resistive Power Splitter	WEINSCHEL	1534	S0244	1-5-2024
Band Pass Filter	MINI-CIRCUITS	VBZF-2340-S+	S0240	1-6-2024
Power Sensor	R & S	NRP8S	104520	8-3-2023
Power Sensor	R & S	NRP8S	104521	8-3-2023
Power Sensor	R & S	NRP8S	111164	8-3-2023
Step Attenuator	AGILENT	8494B	MY42155316	8-2-2023
Semi-anechoic chamber	octoScope	OB-26	OB2690605-01	N/A

7. Conclusions.

Qualcomm Smart Transmit feature employed in Samsung device (FCC ID: A3LSMF946JPN) has been validated through the conducted power measurement (as demonstrated in Section 6).

As demonstrated in this report, the power limiting enforcement is effective and the total normalized time-averaged RF exposure does not exceed 1.0 for all the transmission scenarios described in Section 2. Therefore, the EUT complies with FCC RF exposure requirement.

Section A. Test Sequences

Sub.6 radio.

1. Test sequence is generated based on below parameters of the EUT:

- a. Measured maximum power (P_{max})
- b. Measured Tx_power_at_SAR_design_target (P_{limit})
- c. Reserve_power_margin (dB)
 - $P_{reserve}$ (dBm) = measured P_{limit} (dBm) – Reserve_power_margin (dB)
- d. SAR_time_window (100s for FCC)

2. **Sub.6 radio Test Sequence 1** Waveform:

Based on the parameter above, the Test Sequence 1 is generated with one transmission between high and low Tx powers. Here, high power = P_{max} ; low power = $P_{max}/2$, and the transition occurs after 80 seconds at high power P_{max} . As long as the power enforcement is taking into effective during one 100s/60s time window, the validation test with this defined test sequence 1 is valid, otherwise, select other radio configuration (band/DSI within the same technology group) having lower P_{limit} for this test. The test sequence 1 waveform is shown below:

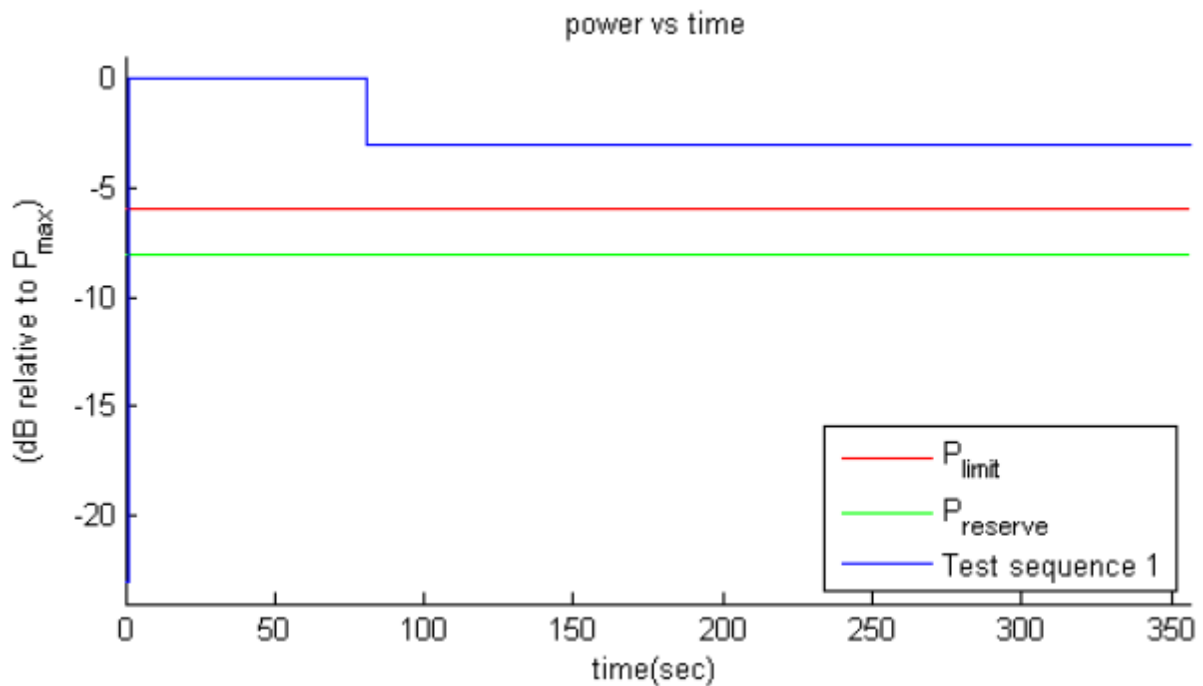


Figure A-1: Test sequence 1 waveform

3. **Sub.6 radio Test Sequence 2** Waveform:

Based on the parameters in Figure A-1, the Test Sequence 2 is generated as described in Table A-1, which contains two 170 second-long sequences (yellow and green highlighted rows) that are mirrored around the center row of 20s, resulting in a total duration of 360 seconds:

Table A-1: Test sequence 2

Time duration (seconds)	dB relative to P_{limit} or $P_{reserve}$
15	$P_{reserve} - 2$
20	P_{limit}
20	$(P_{limit} + P_{max})/2$ averaged in mW and rounded to nearest 0.1 dB step
10	$P_{reserve} - 6$
20	P_{max}
15	P_{limit}
15	$P_{reserve} - 5$
20	P_{max}
10	$P_{reserve} - 3$
15	P_{limit}
10	$P_{reserve} - 4$
20	$(P_{limit} + P_{max})/2$ averaged in mW and rounded to nearest 0.1 dB step
10	$P_{reserve} - 4$
15	P_{limit}
10	$P_{reserve} - 3$
20	P_{max}
15	$P_{reserve} - 5$
15	P_{limit}
20	P_{max}
10	$P_{reserve} - 6$
20	$(P_{limit} + P_{max})/2$ averaged in mW and rounded to nearest 0.1 dB step
20	P_{limit}
15	$P_{reserve} - 2$

The test Sequence 2 waveform is shown in Figure A-2.

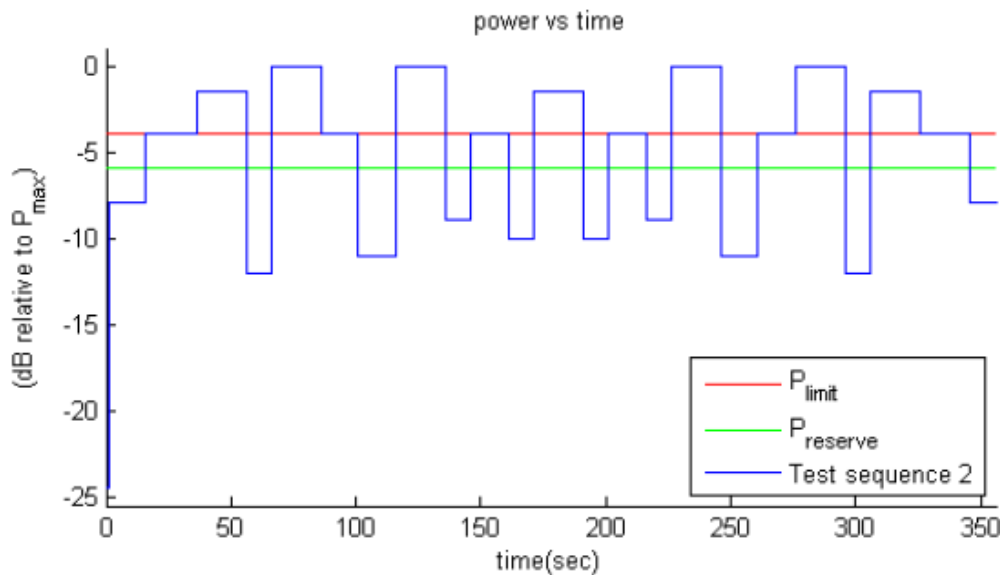


Figure A-2: Test sequence 2 waveform

WLAN radio Test Sequence #1

Time duration (seconds)	Duty cycle (%)
80	100%
120	50%

Section B. Test Procedures for LTE + Sub6 NR

Section B provides the test procedures for validating Qualcomm Smart Transmit feature for LTE + Sub6 NR non-standalone (NSA) mode transmission scenario, where sub-6GHz LTE link acts as an anchor, and Sub6 NR standalone mode (SA) transmission scenario.

B.1 Time-varying Tx power test for sub6 NR in NSA mode and SA mode

Follows Section 3.2.1 to select test configurations for time-varying test. This test is performed with two pre-defined test sequences (described in Section 3.1) applied to Sub6 NR (with LTE on all-down bits or low power for the entire test after establishing the LTE + Sub6 NR call with the callbox). Follow the test procedures described in Section 3.3.1 to demonstrate the effectiveness of power limiting enforcement and that the time averaged Tx power of Sub6 NR when converted into 1g or 10gSAR values does not exceed the regulatory limit at all times (See Eq. (1a) and (1b)). Sub6 NR response to test sequence 1 and test sequence 2 will be similar to other technologies (say, LTE), and are shown in Sections 6.3.7 and 6.3.8.

B.2 Switch in SAR exposure between LTE vs. Sub6 NR during transmission

This test is to demonstrate that Smart Transmit feature accurately accounts for switching in exposures among SAR for LTE radio only, SAR from both LTE radio and sub6 NR, and SAR from sub6 NR only scenarios, and ensures total time-averaged RF exposure compliance with FCC limit.

Test procedure:

1. Measure conducted Tx power corresponding to P_{limit} for LTE and sub6 NR in selected band. Test condition to measure conducted P_{limit} is:
 - Establish device in call with the callbox for LTE in desired band. Measure conducted Tx power corresponding to LTE P_{limit} with Smart Transmit enable and *Reserve_power_margin* set to 0 dB, callbox set to request maximum power.
 - Repeat above step to measure conducted Tx power corresponding to Sub6 NR P_{limit} . If testing LTE + Sub6 NR in non-standalone mode, then establish LTE + Sub6 NR call with callbox and request all down bits for radio1 LTE. In this scenario, with callbox requesting maximum power from Sub6 NR, measured conducted Tx power corresponds to radio2 P_{limit} (as radio1 LTE is at all-down bits).
2. Set *Reserve_power_margin* to actual (intended) value with EUT setup for LTE _Sub6 NR call. First, establish LTE connection in all-up bits with the callbox, and then Sub6 NR connection is added with callbox requesting UE to transmit at maximum power in Sub6 NR. As soon as the Sub6 NR connection is established, request all-down bits on LTE link (otherwise, Sub6 NR will not have sufficient RF exposure margin to sustain the call with LTE in all-up bits). Continue LTE(all-down bits) + Sub6 NR transmission for more than one time-window duration to test predominantly Sub6 NR SAR exposure scenario (as SAR exposure is negligible from all-down bits in LTE). After at least one time-window, request LTE to go all-up bits to test LTE SAR and Sub6 NR SAR exposure scenario. After at least one more time-window, drop (or request all-down bits) Sub6 NR transmission to test predominantly LTE SAR exposure scenario. Continue the test for at least one more time-window. Record the conducted Tx powers for both LTE and Sub6 NR for the entire duration of this test.

3. Once the measurement is done, extract instantaneous Tx power versus time for both LTE and Sub6 NR links. Similar to technology/band switch test in Section 3.3.3, convert the conducted Tx power for both these radios into 1g or 10gSAR value (see Eq. (6a) and (6b)) using corresponding technology/band P_{limit} measured in Step 1, and then perform 100s running average to determine time-averaged 1g or 10gSAR versus time as illustrated in Figure A-1. Note that here it is assumed both radios have Tx frequencies < 3GHz, otherwise, 60s running average should be performed for radios having Tx frequency between 3GHz and 6GHz.

4. Make one plot containing: (a) instantaneous 1g or 10gSAR versus time determined in Step 3, (b) computed time-averaged 1g or 10gSAR versus time determined in Step 3, and (c) corresponding regulatory 1g or 10gSAR_{limit} of 1.6 W/kg or 4.0 W/kg, and (d) corresponding normalized regulatory 1g or 10gSAR_{limit} of 1.0.

The validation criteria is, at all times, the time-averaged 1g or 10gSAR versus time shall not exceed the regulatory 1g or 10gSAR_{limit} limit.

Appendixes

Refer to separated files for the following appendixes.

4790841160-S1 FCC Report SAR Part2_App A_Test setup photos

End OF REPORT