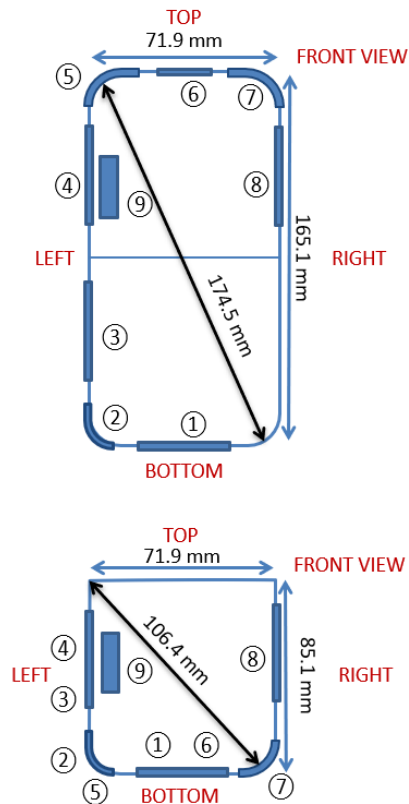


APPENDIX F: DUT ANTENNA DIAGRAM & TEST SETUP PHOTOGRAPHS



- ① Main Band Antenna I Tx/Rx (Ant A)
 1. GSM/GPRS/EDGE 850/1900 MHz
 2. UMTS Band II/IV/V
 3. LTE Band 2/4/5/12/13/14/25/26/66/71
 4. NR Band n2/5/12/25/26/66/71
 5. LTE B29 (PRx Only)
 6. NR Band n29 (PRx only)
- ② Main Band Antenna II Tx/Rx (Ant B)
 1. LTE Band 7/30/38/41
 2. NR Band n7/30
 3. NR Band n41/38 (DRx Only)
 4. NR Band n41 (SRS2)
- ③ Main Band Antenna III Tx/Rx (Ant C)
 1. LTE Band 2/4/25/30/41/66 4x4 MIMO (PRx Only)
 2. NR Band n2/25/30/66 4x4 MIMO (PRx Only)
 3. LTE Band 48 4x4 MIMO (DRx Only)
 4. NR Band n41/48/77 4x4 MIMO(DRx Only)
 5. NR Band n41/48/77 (SRS4)
- ④ Sub Antenna I Tx/Rx (Ant E)
 1. GSM 850 (DRx Only)
 2. UMTS V (DRx Only)
 3. LTE Band 5/12/13/14/26/29/71 (DRx Only)
 4. NR Band n5/12/26/29/71 (DRx Only)
 5. LTE Band 48 4x4 MIMO (PRx Only)
 6. NR Band n48/77 4x4 MIMO (PRx Only)
 7. NR Band n48/77 (SRS3)
 8. GPS L5
- ⑤ Sub Antenna II Tx/Rx (Ant F)
 1. LTE Band 48
 2. NR Band n48/n77
 3. LTE Band 46 (PRx Only)
 4. NR Band n41 4x4 MIMO (PRx Only)
 5. LTE Band 30/41 4x4 MIMO (DRx Only)
 6. NR n30 4x4 MIMO (DRx Only)
 7. NR Band n41 (SRS3)
 8. 2.4G/5G/6G Wi-Fi Ant 1
 9. Bluetooth Ant 1 (Switching)
- ⑥ Sub Antenna III Rx Only (Ant G)
 1. LTE Band 2/4/25/66 4x4 MIMO (DRx Only)
 2. NR Band n2/25/66 4x4 MIMO (DRx Only)
- ⑦ Sub Antenna IV Tx/Rx (Ant H)
 1. LTE Band 46 (DRx Only)
 2. 2.4G/5G/6G Wi-Fi Ant 2
 3. Bluetooth Ant 2 (Switching)
 4. GPS
- ⑧ Sub Antenna V Tx/Rx (Ant I)
 1. NR Band n38/41
 2. GSM 1900 (DRx Only)
 3. UMTS II/IV (DRx Only)
 4. LTE Band 2/4/7/25/30/38/41/48/66 (DRx Only)
 5. NR Band n2/7/25/30/48/66/77 (DRx Only)
 6. NR Band n48/77 (SRS2)
 7. LTE Band 2/4/25/30/41/66 (TX Hopping)
 8. NR Band n2/25/30/66 (TX Hopping/EN-DC)
- ⑨ mmWave Tx/Rx (Ant K)
 1. NR mmW n258/260/261

Figure F-1
DUT Antenna Locations

Note: Exact antenna dimensions and separation distances are shown in the Technical Descriptions in the FCC Filing.

FCC ID: A3LSMF731U	6 GHZ RF EXPOSURE EVALUATION	Approved by: Technical Manager
DUT Type: Portable Handset		APPENDIX F: Page 2 of 7

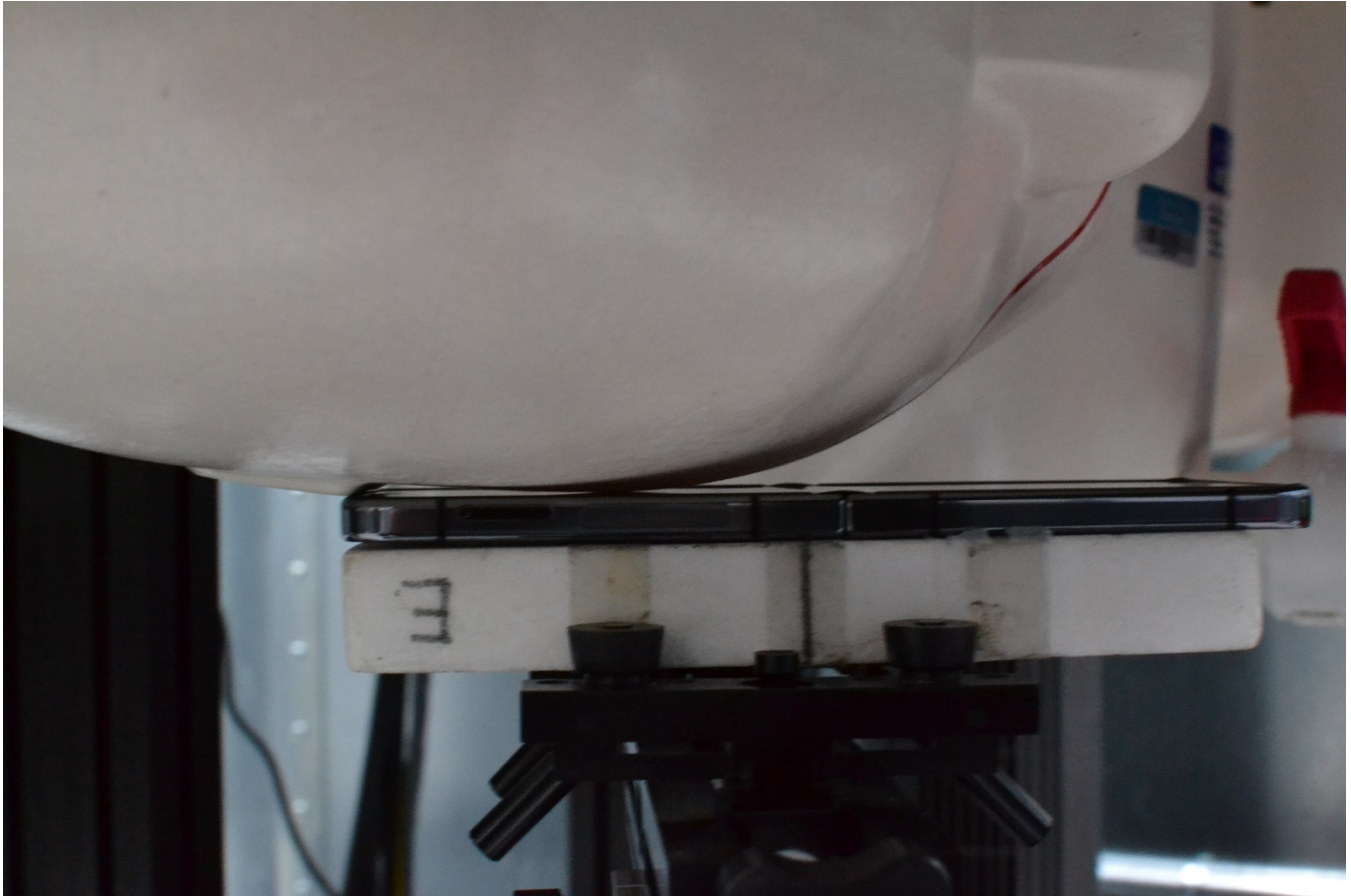


Figure F-2
SAR Test Setup Photo 1– Head, Right Cheek, 0 mm

FCC ID: A3LSMF731U	6 GHZ RF EXPOSURE EVALUATION	Approved by: Technical Manager
DUT Type: Portable Handset		APPENDIX F: Page 3 of 7

REV 2.0

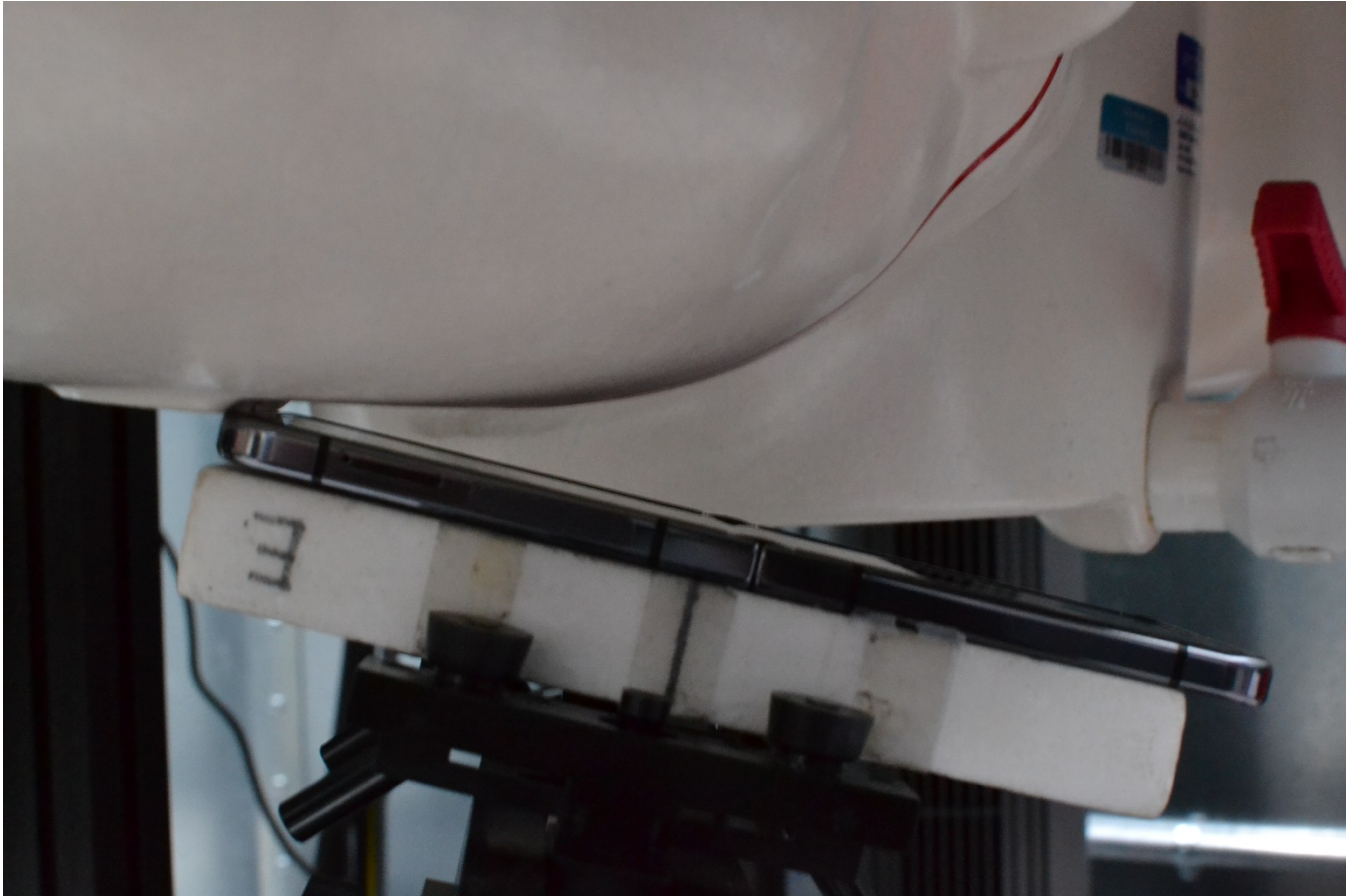


Figure F-3
SAR Test Setup Photo - Head, Right Tilt, 0 mm

FCC ID: A3LSMF731U	6 GHZ RF EXPOSURE EVALUATION	Approved by: Technical Manager
DUT Type: Portable Handset		APPENDIX F: Page 4 of 7

REV 2.0

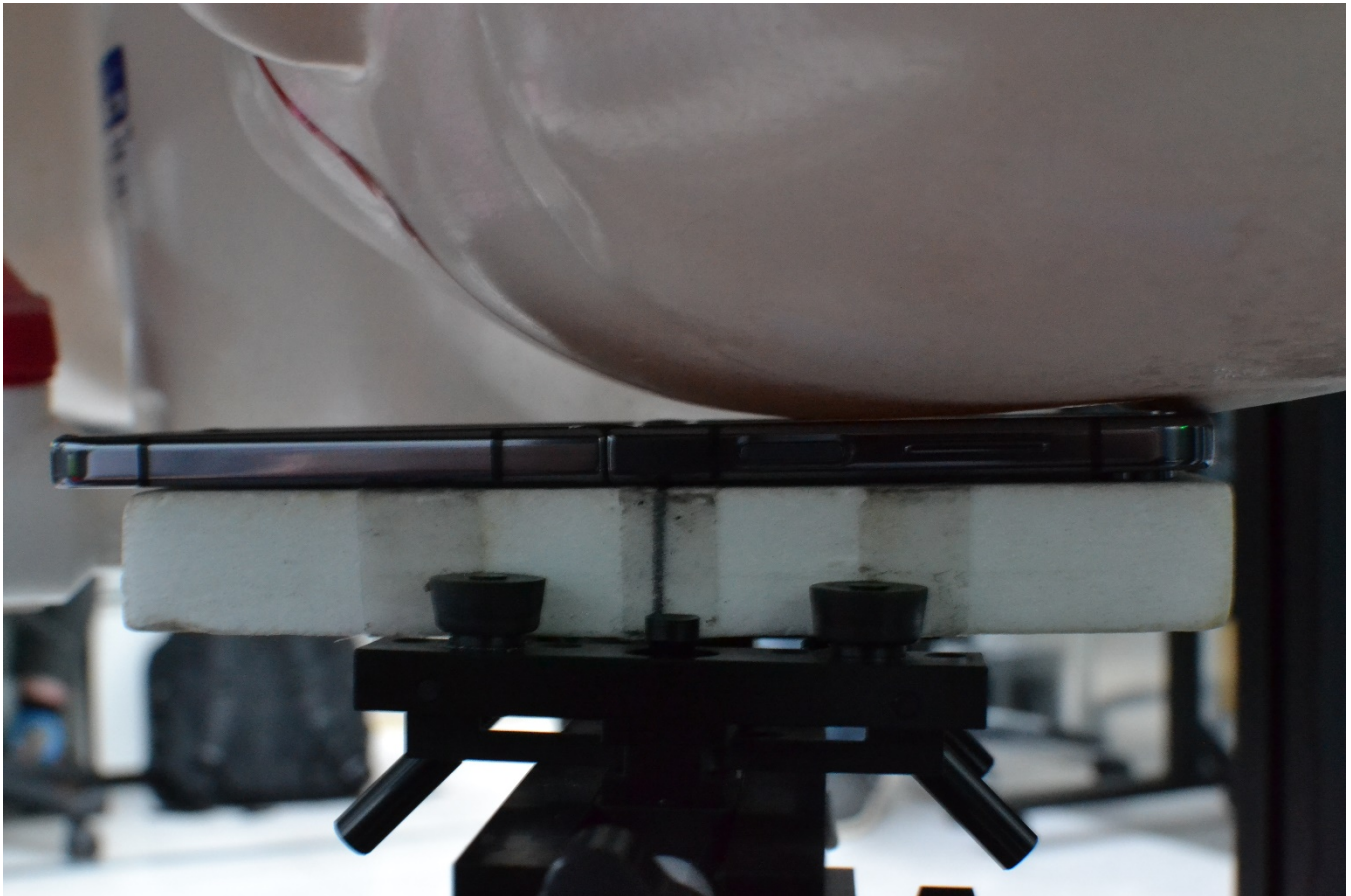


Figure F-4
SAR Test Setup Photo – Head, Left Cheek, 0 mm

FCC ID: A3LSMF731U	6 GHZ RF EXPOSURE EVALUATION	Approved by: Technical Manager
DUT Type: Portable Handset		APPENDIX F: Page 5 of 7

REV 2.0

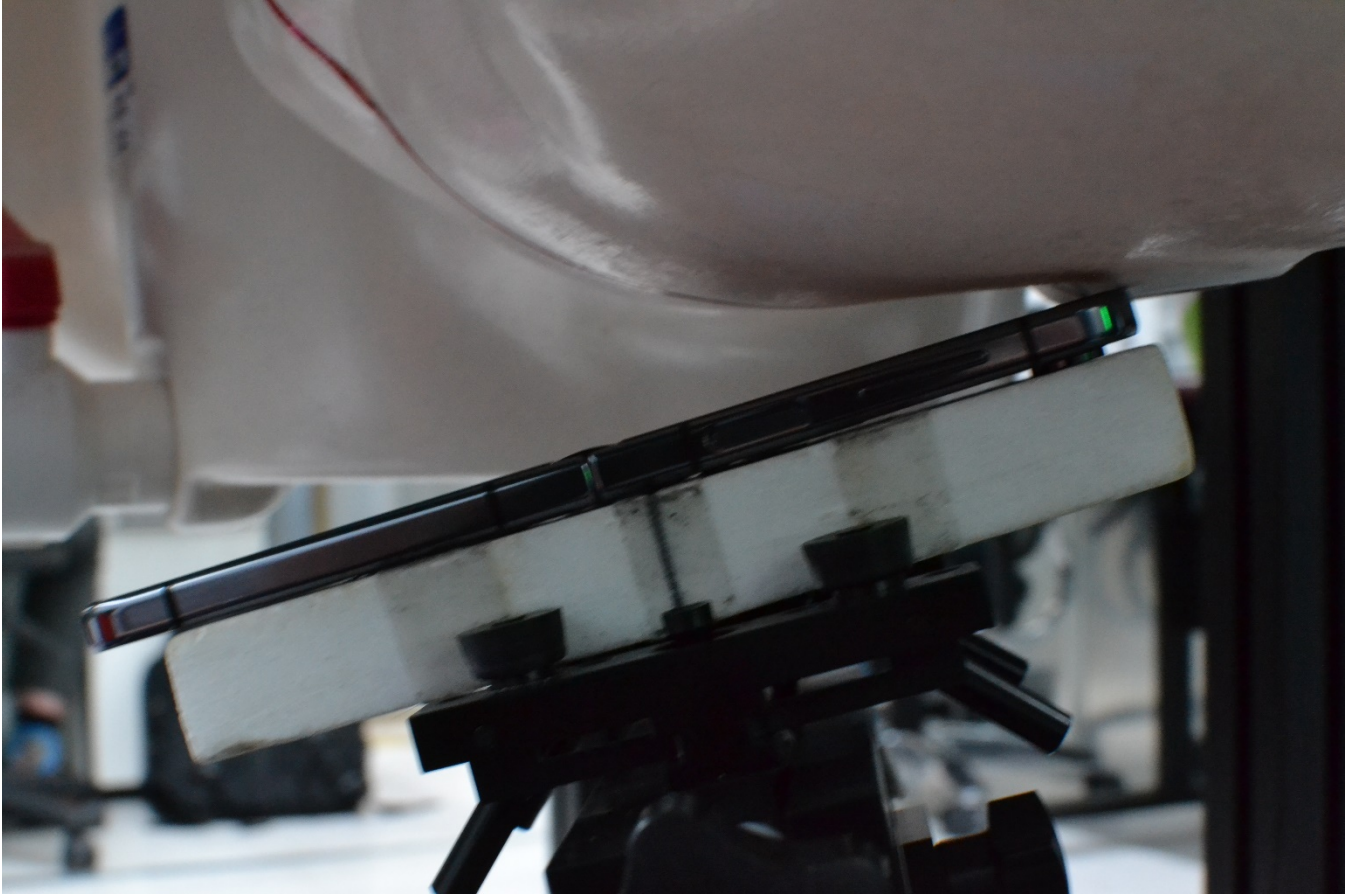


Figure F-5
SAR Test Setup Photo– Head, Left Tilt, 0 mm

FCC ID: A3LSMF731U	6 GHZ RF EXPOSURE EVALUATION	Approved by: Technical Manager
DUT Type: Portable Handset		APPENDIX F: Page 6 of 7

REV 2.0

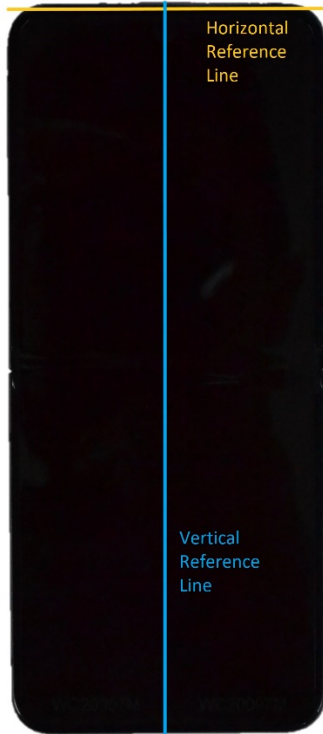


Figure F-6
SAR Test Setup Photo – Horizontal and Vertical Reference Lines

FCC ID: A3LSMF731U	6 GHZ RF EXPOSURE EVALUATION	Approved by: Technical Manager
DUT Type: Portable Handset		APPENDIX F: Page 7 of 7

REV 2.0