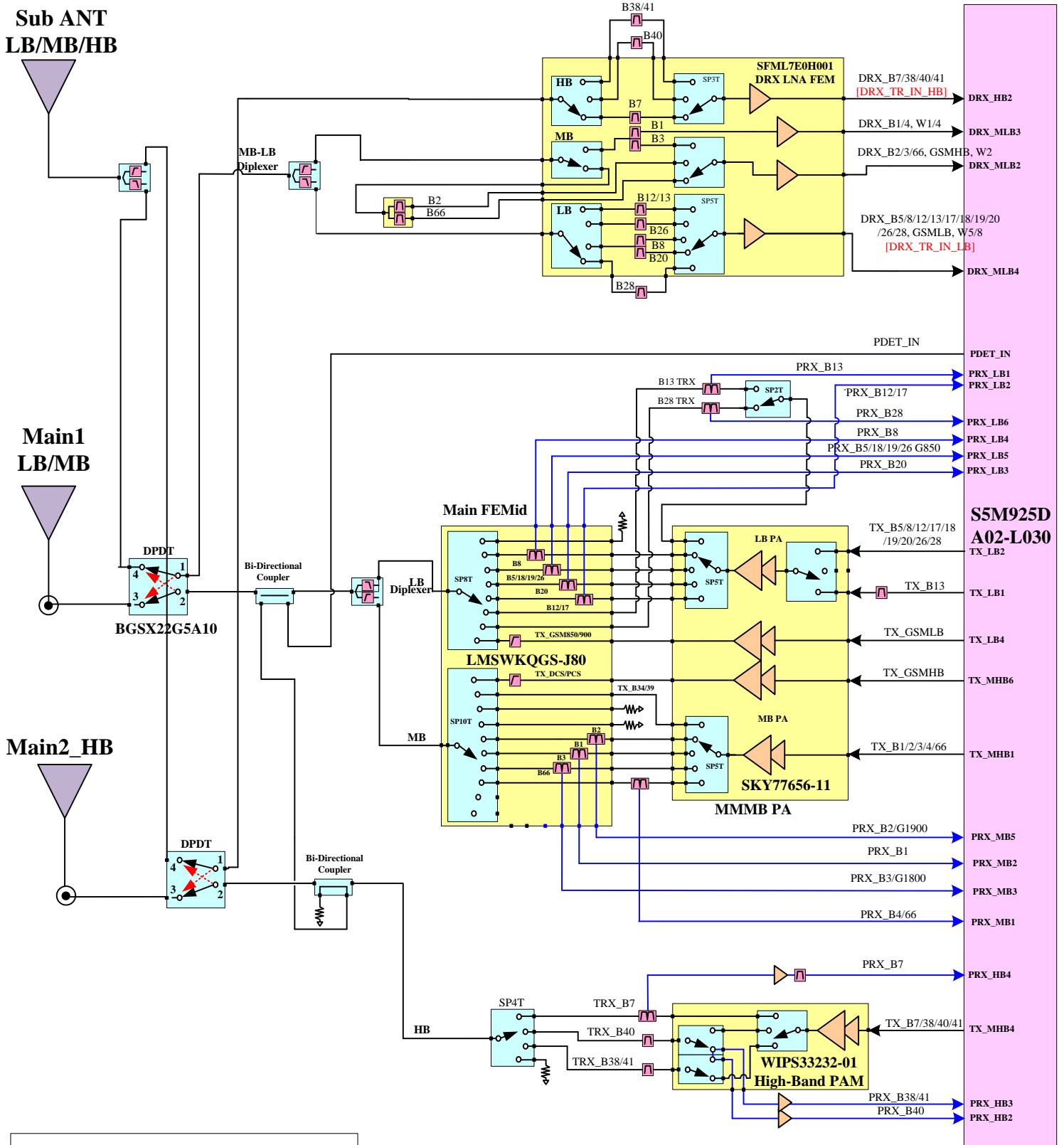


SM-A505GT/DS RF Block Diagram



[SM-A505GT/DS RF Band]

2G : Quad

3G : W1,W2,W4,W5,W8

LTE FDD :

B1/2/3/4/7/8/12(17)/13/20/26(5/18/19)/28

LTE TDD : B38/40/41

GSM/GPRS/EDGE 850 - Tx 824.2 - 848.8MHz / Rx 869.2 - 893.8MHz

GSM/GPRS/EDGE 1900 - Tx 1850.2 - 1909.8MHz / Rx 1930.2 - 1989.8MHz

UMTS Band 2 - Tx 1850 - 1910MHz / Rx 1930 - 1990MHz

UMTS Band 4 - Tx 1710 - 1755 / Rx 2110 - 2155MHz

UMTS Band 5 - Tx 824 - 849 / Rx 869 - 894MHz

LTE Band 2 - Tx 1850 - 1910MHz / Rx 1930 - 1990MHz

LTE Band 4 - Tx 1710 - 1755MHz / Rx 2110 - 2155MHz

LTE Band 5 - Tx 824 - 849MHz / Rx 869 - 894MHz

LTE Band 12 - Tx 699 - 716MHz / Rx 729 - 746MHz

LTE Band 13 - Tx 777 - 787MHz / Rx 746 - 756MHz

LTE Band 17 - Tx 704 - 716MHz / Rx 734 - 746MHz

LTE Band 26 - Tx 814 - 849MHz / Rx 859 - 894MHz

LTE Band 41 - TRx 2496 - 2690MHz

LTE Band 66 - Tx 1710 - 1780MHz / Rx 2110 - 2200MHz

WLAN 2.4G - TRx 2412 - 2462MHz within USA

WLAN 2.4G - TRx 2412 - 2472MHz Non USA

WLAN 5G - TRx 5180 - 5240MHz

WLAN 5G - TRx 5260 - 5320MHz

WLAN 5G - TRx 5500 - 5720MHz

WLAN 5G - TRx 5745 - 5825MHz

Bluetooth/EDR/LE - TRx 2402 - 2480MHz

GNSS - Rx 1592 - 1606MHz

A50 Connectivity Block Diagram

