

**MEASUREMENT REPORT
FCC PART 15.407 DFS**

Applicant Name:
Samsung Electronics Co., Ltd.
129, Samsung-ro,
Yeongtong-gu, Suwon-si
Gyeonggi-do, 16677, Korea

Date of Testing:
11/6/2023 - 12/27/2023
Test Report Issue Date:
12/27/2023
Test Site/Location:
Element lab., Columbia, MD, USA
Test Report Serial No.:
1M2310260110-22.A3L

FCC ID:	A3LSMA356E
APPLICANT:	Samsung Electronics Co., Ltd.

Application Type: Certification
Model: SM-A356E/DS
Additional Model(s): SM-A356E
EUT Type: Client Only Device, No Radar Detection Capability 95.51
Max. RF Output Power: mW (19.80 dBm) Conducted
 (802.11ax UNII Band 2C)
Frequency Range: 5500 – 5720 MHz (UNII-2C Band)
FCC Classification: Unlicensed National Information Infrastructure TX (NII)
FCC Rule Part(s): Part 15 Subpart E (15.407)
Test Procedure(s): KDB 905462 D02 v02

This equipment has been shown to be capable of compliance with the applicable technical standards as indicated in the measurement report and was tested in accordance with the measurement procedures specified in KDB 905462 D02 v02 Compliance Measurement Procedures for Unlicensed-National Information Infrastructure Devices Operating in the 5.25 – 5.35 GHz and 5.47 – 5.725 GHz Bands Incorporating Dynamic Frequency Selection. Test results reported herein relate only to the item(s) tested.

I attest to the accuracy of data. All measurements reported herein were performed by me or were made under my supervision and are correct to the best of my knowledge and belief. I assume full responsibility for the completeness of these measurements and vouch for the qualifications of all persons taking them.



RJ Ortanez
Executive Vice President



FCC ID: A3LSMA356E	MEASUREMENT REPORT (CERTIFICATION)		Approved by: Technical Manager
Test Report S/N: 1M2310260110-22.A3L	Test Dates: 11/6/2023 - 12/27/2023	EUT Type: Portable Handset	Page 1 of 22

TABLE OF CONTENTS

1.0	INTRODUCTION	3
1.1	Scope	3
1.2	Element Test Location	3
1.3	Test Facility / Accreditations	3
2.0	PRODUCT INFORMATION	4
2.1	Equipment Description	4
2.2	EUT Capabilities	4
2.3	Antenna Description	5
2.4	Test Support Equipment	5
2.5	Software and Firmware	5
2.6	Modifications	5
3.0	DESCRIPTION OF TESTS	6
3.1	Evaluation Procedure	6
3.2	Environmental Conditions	6
4.0	ANTENNA REQUIREMENTS	7
5.0	MEASUREMENT UNCERTAINTY	8
6.0	TEST EQUIPMENT	9
7.0	DESCRIPTION OF DYNAMIC FREQUENCY SELECTION TEST	10
7.1	Applicability	10
7.2	Requirements	11
7.3	DFS Detection Threshold Values	12
7.4	DFS Response Requirements	12
7.5	Parameters of DFS Test Signals	13
7.6	System Overview Procedure	14
7.7	System Calibration:	15
8.0	EUT TEST SETUP	17
9.0	TEST RESULTS	18
9.1	Summary	18
9.2	Channel Loading	19
9.3	Channel Move Time and Channel Closing Transmission Time	20
9.4	Non-Occupancy Period	21
10.0	CONCLUSION	22

FCC ID: A3LSMA356E	MEASUREMENT REPORT (CERTIFICATION)		Approved by: Technical Manager
Test Report S/N: 1M2310260110-22.A3L	Test Dates: 11/6/2023 - 12/27/2023	EUT Type: Portable Handset	Page 2 of 22

1.0 INTRODUCTION

1.1 Scope

This report has been prepared to demonstrate compliance with the requirements for Dynamic Frequency Selection (DFS) as stated in KDB 905462 D02 v02. Testing was performed on the **Samsung Portable Handset FCC ID: A3LSMA356E**. As of July 20, 2007 all devices operating in the 5250 – 5350 MHz and/or the 5470 – 5725 MHz bands must comply with the DFS requirements. As the EUT does not have radar detection capability it was evaluated as a Client Only Device. All test results reported herein are applicable to the sample selected for testing. The unit used for testing was supplied by Samsung Electronics Co., Ltd..

1.2 Element Test Location

These measurement tests were conducted at the Element laboratory located at 7185 Oakland Mills Road, Columbia, MD 21046. The measurement facility is compliant with the test site requirements specified in ANSI C63.4-2014.

1.3 Test Facility / Accreditations

Measurements were performed at Element lab located in Columbia, MD 21046, U.S.A.

- Element Washington DC LLC is an ISO 17025-2017 accredited test facility under the American Association for Laboratory Accreditation (A2LA) with Certificate number 2041.01 for Specific Absorption Rate (SAR), Hearing Aid Compatibility (HAC) testing, where applicable, and Electromagnetic Compatibility (EMC) testing for FCC and Innovation, Science, and Economic Development Canada rules.
- Element Washington DC LLC TCB is a Telecommunication Certification Body (TCB) accredited to ISO/IEC 17065-2012 by A2LA (Certificate number 2041.03) in all scopes of FCC Rules and ISED Standards (RSS).
- Element Washington DC LLC facility is a registered (2451B) test laboratory with the site description on file with ISED.
- Element Washington DC LLC is a Recognized U.S. Certification Assessment Body (CAB # US0110) for ISED Canada as designated by NIST under the U.S. and Canada Mutual Recognition Agreements (MRAs).

FCC ID: A3LSMA356E	MEASUREMENT REPORT (CERTIFICATION)		Approved by: Technical Manager
Test Report S/N: 1M2310260110-22.A3L	Test Dates: 11/6/2023 - 12/27/2023	EUT Type: Portable Handset	Page 3 of 22

2.0 PRODUCT INFORMATION

2.1 Equipment Description

The Equipment Under Test (EUT) is the **Samsung Portable Handset FCC ID: A3LSMA356E**.

Mode of Operation:

Master Device	<input type="checkbox"/>
Client Device (No radar detection)	<input checked="" type="checkbox"/>
Client Device with Radar Detection	<input type="checkbox"/>

Test Device Serial No.: 1199M

2.2 EUT Capabilities

This device contains the following capabilities:

850/1900 GSM/GPRS/EDGE, 850/1700/1900 WCDMA/HSPA, Multi-band LTE, Multi-band 5G NR (FR1), 802.11b/g/n/ax WLAN, 802.11a/n/ac/ax UNII (5GHz), Bluetooth (1x, EDR, LE), NFC

Band 2A		Band 2C	
Ch.	Frequency (MHz)	Ch.	Frequency (MHz)
52	5260	100	5500
:	:	:	:
56	5280	116	5580
:	:	:	:
64	5320	144	5720

Table 2-1. 802.11a / 802.11n / 802.11ac / 802.11ax (20MHz) Frequency / Channel Operations

Band 2A		Band 2C	
Ch.	Frequency (MHz)	Ch.	Frequency (MHz)
54	5270	102	5510
:	:	:	:
62	5310	110	5550
:	:	:	:
		142	5710

Table 2-2. 802.11n / 802.11ac / 802.11ax (40MHz BW) Frequency / Channel Operations

Band 2A		Band 2C	
Ch.	Frequency (MHz)	Ch.	Frequency (MHz)
58	5290	106	5530
		:	:
		138	5690

Table 2-3. 802.11ac / 802.11ax (80MHz BW) Frequency / Channel Operations

FCC ID: A3LSMA356E	MEASUREMENT REPORT (CERTIFICATION)		Approved by: Technical Manager
Test Report S/N: 1M2310260110-22.A3L	Test Dates: 11/6/2023 - 12/27/2023	EUT Type: Portable Handset	Page 4 of 22

2.3 Antenna Description

The following antenna gain was provided by the manufacturer (Band 2C).

Frequency [GHz]	Antenna Gain (dBi)
5.470 - 5.725	-3.24

Table 2-4. Highest Antenna Gain

2.4 Test Support Equipment

The following equipment was used in support of the DFS testing.

Device	Manufacturer and Name	Model	Description	S/N:	FCC ID:
Master	ASUS Wireless AX6000	RT-AX88U	Access Point	K4IAHP000918	MSQ-RTAXHP00

Table 2-5. Test Support Equipment Used

Notes:

1. The Master AP firmware version: 3.0.0.4.384
2. The Master AP is controlled via test support laptop.

2.5 Software and Firmware

The test was done with software/firmware version A356BXXU0AWJ3 installed on the EUT.

2.6 Modifications

No modifications to the EUT were required to comply with the DFS specifications.

FCC ID: A3LSMA356E	MEASUREMENT REPORT (CERTIFICATION)		Approved by: Technical Manager
Test Report S/N: 1M2310260110-22.A3L	Test Dates: 11/6/2023 - 12/27/2023	EUT Type: Portable Handset	Page 5 of 22

3.0 DESCRIPTION OF TESTS

3.1 Evaluation Procedure

The measurement procedures described in KDB 905462 D02 v02 were used in the measurement of the EUT. Conducted test methodology was used for the DFS evaluation procedure of the EUT. No deviations to the test procedure and test methods occurred during the evaluation of the EUT.

Deviation from measurement procedure.....None

3.2 Environmental Conditions

The temperature is controlled within range of 15°C to 35°C. The relative humidity is controlled within range of 10% to 75%. The atmospheric pressure is monitored within the range 86-106kPa (860-1060mbar).

FCC ID: A3LSMA356E	MEASUREMENT REPORT (CERTIFICATION)		Approved by: Technical Manager
Test Report S/N: 1M2310260110-22.A3L	Test Dates: 11/6/2023 - 12/27/2023	EUT Type: Portable Handset	Page 6 of 22

4.0 ANTENNA REQUIREMENTS

Excerpt from §15.203 of the FCC Rules/Regulations:

“An intentional radiator antenna shall be designed to ensure that no antenna other than that furnished by the responsible party can be used with the device. The use of a permanently attached antenna or of an antenna that uses a unique coupling to the intentional radiator shall be considered sufficient to comply with the provisions of this section.”

- The antennas of the EUT are **permanently attached**.
- There are no provisions for connection to an external antenna.

Conclusion:

The EUT complies with the requirement of §15.203.

FCC ID: A3LSMA356E	MEASUREMENT REPORT (CERTIFICATION)		Approved by: Technical Manager
Test Report S/N: 1M2310260110-22.A3L	Test Dates: 11/6/2023 - 12/27/2023	EUT Type: Portable Handset	Page 7 of 22

5.0 MEASUREMENT UNCERTAINTY

The measurement uncertainties shown below were calculated in accordance with the requirements of ANSI C63.10-2013. All measurement uncertainty values are shown with a coverage factor of $k = 2$ to indicate a 95% level of confidence. The measurement uncertainty shown below meets or exceeds the U_{CISPR} measurement uncertainty values specified in CISPR 16-4-2 and, thus, can be compared directly to specified limits to determine compliance.

Parameter	Expanded Uncertainty
Time	$\pm 0.02\%$

FCC ID: A3LSMA356E	MEASUREMENT REPORT (CERTIFICATION)		Approved by: Technical Manager
Test Report S/N: 1M2310260110-22.A3L	Test Dates: 11/6/2023 - 12/27/2023	EUT Type: Portable Handset	Page 8 of 22

6.0 TEST EQUIPMENT

Test Equipment Calibration is traceable to the National Institute of Standards and Technology (NIST). Measurements antennas used during testing were calibrated in accordance to the requirements of ANSI C63.5-2006.

Manufacturer	Model	Description	Cal Date	Cal Interval	Cal Due	Serial Number
Rohde & Schwarz	FSV40-N	Spectrum Analyzer	8/28/2023	Annual	8/28/2024	101814
Rohde & Schwarz	SMW200A	Vector Signal Generator	8/16/2022	Biennial	8/16/2024	109456

Table 6-1. Annual Test Equipment Calibration Schedule

Note:

For equipment listed above that has a calibration date or calibration due date that falls within the test date range, care was taken to ensure that this equipment was used after the calibration date and before the calibration due date.

FCC ID: A3LSMA356E	MEASUREMENT REPORT (CERTIFICATION)		Approved by: Technical Manager
Test Report S/N: 1M2310260110-22.A3L	Test Dates: 11/6/2023 - 12/27/2023	EUT Type: Portable Handset	Page 9 of 22

7.0 DESCRIPTION OF DYNAMIC FREQUENCY SELECTION TEST

7.1 Applicability

The following table from KDB 905462 D02 v02 lists the applicable requirements for the DFS testing. The device evaluated in this report is considered a client device without radar detection capability.

Requirement	Operational Mode		
	Master	Client Without Radar Detection	Client With Radar Detection
Non-Occupancy Period	Yes	Not required	Yes
DFS Detection Threshold	Yes	Not required	Yes
Channel Availability Check Time	Yes	Not required	Not required
U-NII Detection Bandwidth	Yes	Not required	Yes

Table 7-1. DFS Applicability

Requirement	Operational Mode		
	Master	Client Without Radar Detection	Client With Radar Detection
DFS Detection Threshold	Yes	Not required	Yes
Channel Closing Transmission Time	Yes	Yes	Yes
Channel Move Time	Yes	Yes	Yes
U-NII Detection Bandwidth	Yes	Not required	Yes

Table 7-2. DFS Applicability During Normal Operation

Additional requirements for devices with multiple bandwidth modes	Master Device or Client with Radar Detection	Client without Radar Detection
U-NII Detection Bandwidth and Statistical Performance Check	All BW modes must be tested	Not required
Channel Move Time and Channel Closing Transmission Time	Test using widest BW mode available	Test using the widest BW mode available for the link
All other tests	Any single BW mode	Not required
<p>Note: Frequencies selected for statistical performance check (Section 7.8.4) should include several frequencies within the radar detection bandwidth and frequencies near the edge of the radar detection bandwidth. For 802.11 devices it is suggested to select frequencies in each of the bonded 20 MHz channels and the channel center frequency.</p>		

Table 7-3. Additional Requirement for Devices with Multiple Bandwidth Modes

FCC ID: A3LSMA356E	MEASUREMENT REPORT (CERTIFICATION)		Approved by: Technical Manager
Test Report S/N: 1M2310260110-22.A3L	Test Dates: 11/6/2023 - 12/27/2023	EUT Type: Portable Handset	Page 10 of 22

7.2 Requirements

Per KDB 905462 D02 v02 the following are the requirements for Client Devices:

- a) A Client Device will not transmit before having received appropriate control signals from a Master Device.
- b) A Client Device will stop all its transmissions whenever instructed by a Master Device to which it is associated and will meet the Channel Move Time and Channel Closing Transmission Time requirements. The Client Device will not resume any transmissions until it has again received control signals from a Master Device.
- c) If a Client Device is performing In-Service Monitoring and detects a Radar Waveform above the DFS Detection Threshold, it will inform the Master Device. This is equivalent to the Master Device detecting the Radar Waveform and d) through f) of section 5.1.1 apply.
- d) Irrespective of Client Device or Master Device detection the Channel Move Time and Channel Closing Transmission Time requirements remain the same.
- e) The client test frequency must be monitored to ensure no transmission of any type has occurred for 30 minutes.
Note: If the client moves with the master, the device is considered compliant if nothing appears in the client non-occupancy period test. For devices that shutdown (rather than moving channels), no beacons should appear.

Channel Move Time and Channel Closing Transmission Time requirements are listed in the following table.

Parameter	Value
Non-occupancy period	Minimum 30 minutes
Channel Availability Check Time	60 seconds
Channel Move Time	10 seconds See Note 1.
Channel Closing Transmission Time	200 milliseconds + an aggregate of 60 milliseconds over remaining 10 second period. See Notes 1 and 2.
U-NII Detection Bandwidth	Minimum 100% of the U-NII 99% transmission power bandwidth. See Note 3.
<p>Note 1: <i>Channel Move Time</i> and the <i>Channel Closing Transmission Time</i> should be performed with Radar Type 0. The measurement timing begins at the end of the Radar Type 0 burst.</p> <p>Note 2: The <i>Channel Closing Transmission Time</i> is comprised of 200 milliseconds starting at the beginning of the <i>Channel Move Time</i> plus any additional intermittent control signals required to facilitate a <i>Channel</i> move (an aggregate of 60 milliseconds) during the remainder of the 10 second period. The aggregate duration of control signals will not count quiet periods in between transmissions.</p> <p>Note 3: During the <i>U-NII Detection Bandwidth</i> detection test, radar type 0 should be used. For each frequency step the minimum percentage of detection is 90 percent. Measurements are performed with no data traffic.</p>	

Table 7-4: DFS Response Requirements

FCC ID: A3LSMA356E	MEASUREMENT REPORT (CERTIFICATION)		Approved by: Technical Manager
Test Report S/N: 1M2310260110-22.A3L	Test Dates: 11/6/2023 - 12/27/2023	EUT Type: Portable Handset	Page 11 of 22

7.3 DFS Detection Threshold Values

The DFS detection thresholds are defined for Master devices and Client Devices with In-service monitoring. These detection thresholds are listed in the following table.

Maximum Transmit Power	Value (See Notes 1 and 2)
≥ 200 milliwatt	-64 dBm
< 200 milliwatt	-62 dBm
<p>Note 1: This is the level at the input of the receiver assuming a 0 dBi receive antenna.</p> <p>Note 2: Throughout these test procedures an additional 1 dB has been added to the amplitude of the test transmission waveforms to account for variations in measurement equipment. This will ensure that the test signal is at or above the detection threshold level to trigger a DFS response.</p>	

Table 7-5: Detection Thresholds for Master Devices and Client Devices with Radar Detection

7.4 DFS Response Requirements

DFS response requirements for Master and Client Devices are listed in the following table.

Parameter	Value
Non-occupancy period	Minimum 30 minutes
Channel Availability Check Time	60 seconds
Channel Move Time	10 seconds See Note 1
Channel Closing Transmission Time	200 milliseconds + an aggregate of 60 milliseconds over remaining 10 second period. See Note 1 and 2.
U-NII Detection Bandwidth	Minimum 100% of the U- NII 99% transmission power bandwidth. See Note 3.
<p>Note 1: Channel Move Time and the Channel Closing Transmission Time should be performed with Radar Type 0. The measurement timing begins at the end of the Radar Type 0 burst</p> <p>Note 2: The Channel Closing Transmission Time is comprised of 200 milliseconds starting at the beginning of the Channel Move Time plus any additional intermittent control signals required to facilitate a Channel move (an aggregate of 60 milliseconds) during the remainder of the 10 second period. The aggregate duration of control signals will not count quiet periods in between transmissions.</p> <p>frequency step the minimum percentage of detection is 90 percent. Measurements are performed with no data traffic.</p>	

Table 7-6: DFS Response Requirements

FCC ID: A3LSMA356E	MEASUREMENT REPORT (CERTIFICATION)		Approved by: Technical Manager
Test Report S/N: 1M2310260110-22.A3L	Test Dates: 11/6/2023 - 12/27/2023	EUT Type: Portable Handset	Page 12 of 22

7.5 Parameters of DFS Test Signals

As the EUT is a Client Device with no Radar Detection only one type radar pulse is required for the testing. Radar Pulse type 1 was used in the evaluation of the Client device for the purpose of measuring the Channel Move Time and the Channel Closing Transmission Time. Table 7-7 lists the parameters for the Short Pulse Radar Waveforms. A plot of the Radar Pulse Type 1 used for testing is included in Section 7.7 of this report.

Radar Type	Pulse Width (µsec)	PRI (µsec)	Number of Pulses	Minimum Percentage of Successful Detection	Minimum Number of Trials
0	1	1425	18	See Note 1	See Note 1
1	1	Test A: 15 unique PRI values randomly selected from the list of 23 PRI values in Table 5a	$\text{Roundup} \left\{ \left(\frac{1}{360} \right) \cdot \left(\frac{19 \cdot 10^6}{PRI_{\mu\text{sec}}} \right) \right\}$	60%	30
		Test B: 15 unique PRI values randomly selected within the range of 518-3066 µsec, with a minimum increment of 1 µsec, excluding PRI values selected in Test A			
2	1-5	150-230	23-29	60%	30
3	6-10	200-500	16-18	60%	30
4	11-20	200-500	12-16	60%	30
Aggregate (Radar Types 1-4)				80%	120
Note 1: Short Pulse Radar Type 0 should be used for the detection bandwidth test, channel move time, and channel closing time tests.					

Table 7-7: Parameters for Short Pulse Radar Waveforms

Radar Type	Pulse Width (µsec)	Chirp Width (MHz)	PRI (µsec)	Number of Pulses per Burst	Number of Bursts	Minimum Percentage of Successful Detection	Minimum Number of Trials
5	50 - 100	5 - 20	1000-2000	1 - 3	8 - 20	80%	30

Table 7-8. Parameters for Long Pulse Radar Waveforms

Radar Type	Pulse Width (µsec)	PRI (µsec)	Pulses per Hop	Hopping Rate (kHz)	Hopping Sequence Length (msec)	Minimum Percentage of Successful Detection	Minimum Number of Trials
6	1	333	9	0.333	300	70%	30

Table 7-9. Parameters for Frequency Hopping Radar Waveforms

FCC ID: A3LSMA356E	MEASUREMENT REPORT (CERTIFICATION)		Approved by: Technical Manager
Test Report S/N: 1M2310260110-22.A3L	Test Dates: 11/6/2023 - 12/27/2023	EUT Type: Portable Handset	Page 13 of 22

7.6 System Overview Procedure

DFS Test Setup:

Radiated DFS Test Setup	<input type="checkbox"/>
Conducted DFS Test Setup	<input checked="" type="checkbox"/>

KDB 905462 D02 v02 describes a radiated test setup and a conducted test setup. The conducted test setup was used for this testing. Figure 7-1 shows the typical test setup. In Band 2C, one channel selected between 5470 and 5725 MHz was chosen for testing.

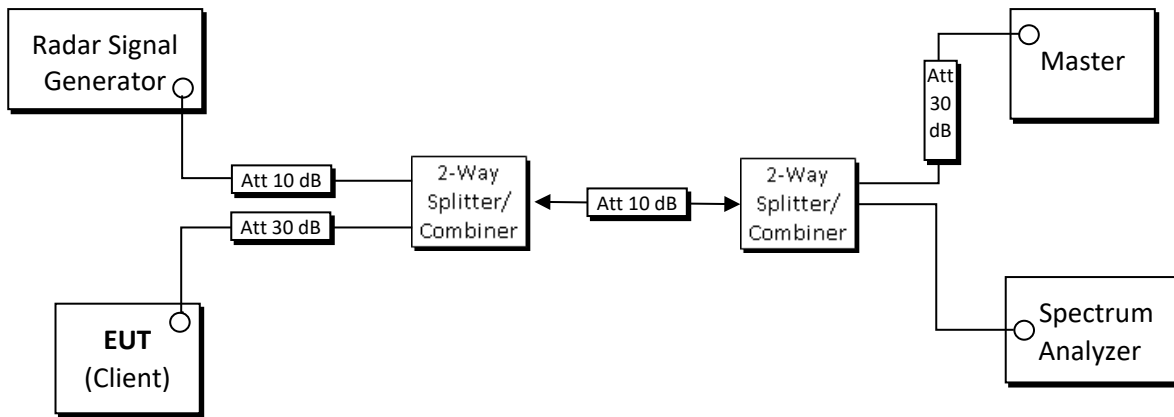


Figure 7-1. Conducted Test Setup for DFS

1. The “R&S Pulse Sequencer” is setup to provide a simulated radar pulse at the frequency that the Master and Client are operating. A Type 0 radar pulse was used.
2. The Client Device (EUT) is set up per the diagram in Figure 7-1 and communications between the Master device and the Client is established.
3. Iperf software is used to properly load the test channel.
4. The “R&S DFS Analysis Tool” is set to record and display 12 seconds of time, starting from where the simulated radar is generated. This time domain plot captures any transmissions occurring up to and after 10sec. Aggregate time is computed to ensure compliance. (Note: the channel may be different since the Master and Client have changed channels due to the detection of the initial radar pulse.)
5. After the initial radar burst the channel is monitored for 30 minutes to ensure no transmissions or beacons occur. A second monitoring setup is used to verify that the Master and Client have both moved to different channels.

FCC ID: A3LSMA356E	MEASUREMENT REPORT (CERTIFICATION)		Approved by: Technical Manager
Test Report S/N: 1M2310260110-22.A3L	Test Dates: 11/6/2023 - 12/27/2023	EUT Type: Portable Handset	Page 14 of 22

7.7 System Calibration:

The following equipment setup was used to calibrate the Radar Waveform. A spectrum analyzer was used to establish the test signal level for each radar type. During this process, there were no transmissions by either the Master or Client Device. The spectrum analyzer was switched to the zero span (Time Domain) mode at the frequency of the Radar Waveform generator. Peak detection was utilized. The spectrum analyzer resolution bandwidth (RBW) and video bandwidth (VBW) were set to 3 MHz.

The signal generator amplitude is adjusted so that the power level measured at the spectrum analyzer is equal to the DFS detection threshold -64 dBm. The required conducted threshold at the antenna port is -64 dBm + EUT Antenna Gain (dBi) + 1 dB = -63 dBm (Section 7.2).

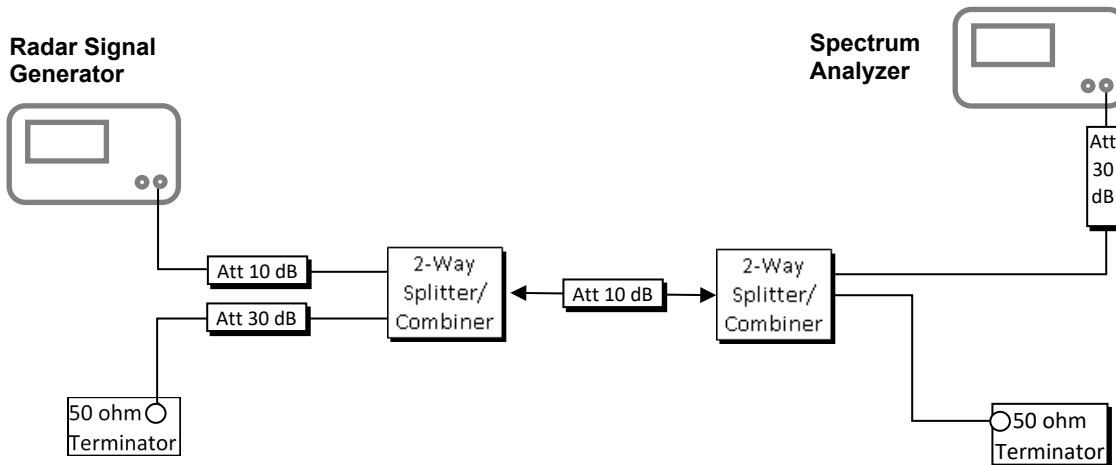


Figure 7-2. Radar Waveform Calibration

FCC ID: A3LSMA356E	MEASUREMENT REPORT (CERTIFICATION)		Approved by: Technical Manager
Test Report S/N: 1M2310260110-22.A3L	Test Dates: 11/6/2023 - 12/27/2023	EUT Type: Portable Handset	Page 15 of 22

Radar Waveform Calibration Plot:

The conducted plots of the Radar Pulse Signals (Type 0) are given below after performing the system calibration as described in Section 7.7.

Short Pulse Radar Type 0:

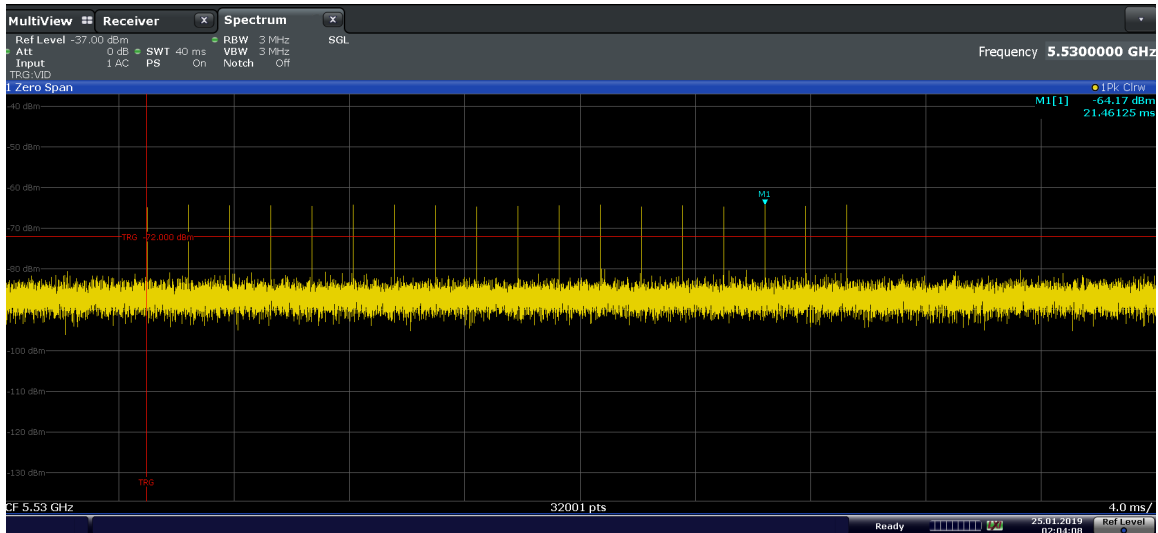


Figure 7-3. 5530MHz – Radar Pulse Type 0 (80MHz)

FCC ID: A3LSMA356E	MEASUREMENT REPORT (CERTIFICATION)		Approved by: Technical Manager
Test Report S/N: 1M2310260110-22.A3L	Test Dates: 11/6/2023 - 12/27/2023	EUT Type: Portable Handset	Page 16 of 22

8.0 EUT TEST SETUP

Client is connected to Master (AP) via WLAN network and iPerf software was used to load the channel.

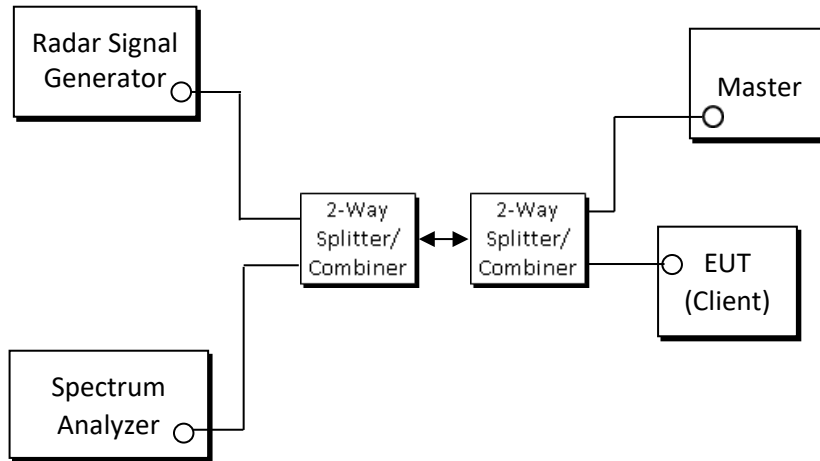


Figure 8-1. Test Setup

FCC ID: A3LSMA356E	MEASUREMENT REPORT (CERTIFICATION)		Approved by: Technical Manager
Test Report S/N: 1M2310260110-22.A3L	Test Dates: 11/6/2023 - 12/27/2023	EUT Type: Portable Handset	Page 17 of 22

9.0 TEST RESULTS

9.1 Summary

Company Name: Samsung Electronics Co., Ltd.
 FCC ID: A3LSMA356E
 FCC Classification: Unlicensed National Information Infrastructure (UNII)

	Parameter	Measured	Limit	Result
5470 – 5725 MHz UNII – 2C Band	Channel Move Time	0s	10 seconds	Pass
	Channel Closing Transmission Time	< 200ms + 0ms (aggregate)	200ms + aggregate of 60ms over remaining 10 second period	Pass
	Client beacon test	Monitored for 30 minutes with no client transmission	No client transmission occurred	Pass

Table 9-1. Summary of Test Results

Notes:

- 1) The EUT was found to be compliant with the requirements for DFS as required for a Client Device per Part 15.407(h), RSS-247 and KDB 905462 D02 v02.
- 2) Automated test software was used to generate radar, measure emissions, and capture the corresponding plots necessary to show compliance:
 - R&S DFS Analysis Tool, version 1E
 - R&S Pulse Sequencer, version 2.0
 - iPerf Software, version 3.0.

FCC ID: A3LSMA356E	MEASUREMENT REPORT (CERTIFICATION)		Approved by: Technical Manager
Test Report S/N: 1M2310260110-22.A3L	Test Dates: 11/6/2023 - 12/27/2023	EUT Type: Portable Handset	Page 18 of 22

9.2 Channel Loading

Channel Loading Notes:

Per KDB 905462 D02 v02, timing plots are required with calculations demonstrating a minimum channel loading of approximately 17% or greater. For example, you can zero span the spectrum analyzer and approximate the transmission time.

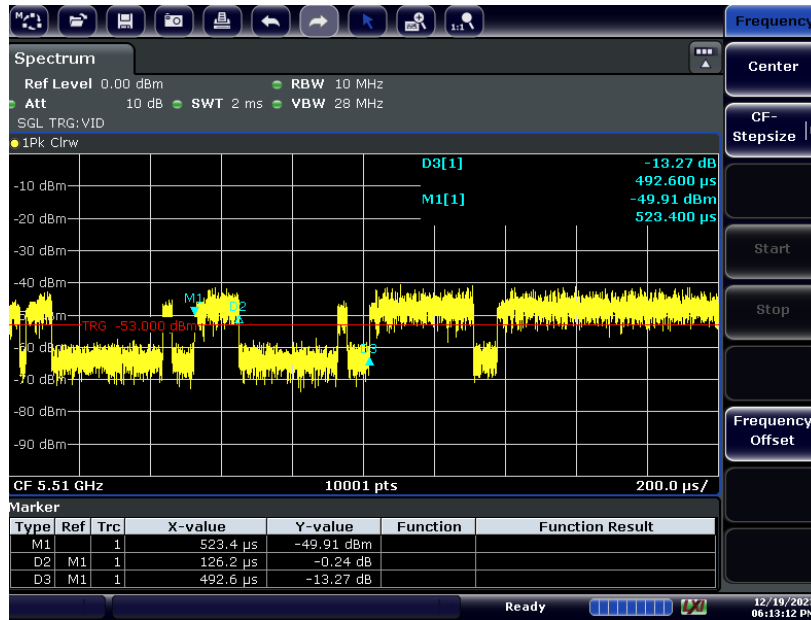


Figure 9-1. Band 2C Period

$$\text{Channel Loading} = \text{Pulse Width} / \text{Period} = 126.2 \mu\text{s} / 492.6 \mu\text{s} = 25.62 \%$$

FCC ID: A3LSMA356E	MEASUREMENT REPORT (CERTIFICATION)		Approved by: Technical Manager
Test Report S/N: 1M2310260110-22.A3L	Test Dates: 11/6/2023 - 12/27/2023	EUT Type: Portable Handset	Page 19 of 22

9.3 Channel Move Time and Channel Closing Transmission Time

Move Time and Aggregate Time Notes:

1. Trigger Threshold as indicated by the red line was configured to only capture client pulses.
2. The X-axis is the time in seconds.
3. The Y-axis is the amplitude in dB.
4. "CMT" in the plot below refers to Chanel Move Time.
5. "CCTT" in plot below refers to Channel Closing Transmission Time. The CCTT comprises only those fragments of the CMT during which the UUT transmits. The first 200ms are included in the CCTT regardless of power level.
6. The aggregate time is found by subtracting 200ms from the CCTT.

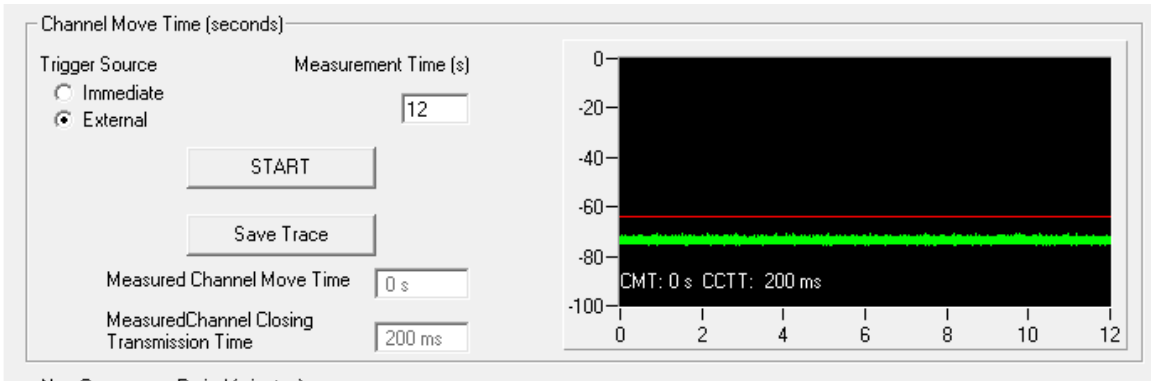


Figure 9-2. Band 2C CMT and CCTT

FCC ID: A3LSMA356E	MEASUREMENT REPORT (CERTIFICATION)		Approved by: Technical Manager
Test Report S/N: 1M2310260110-22.A3L	Test Dates: 11/6/2023 - 12/27/2023	EUT Type: Portable Handset	Page 20 of 22

9.4 Non-Occupancy Period

Notes:

No frequency transmission detected during the Non-Occupancy Period of 30 minutes monitoring.

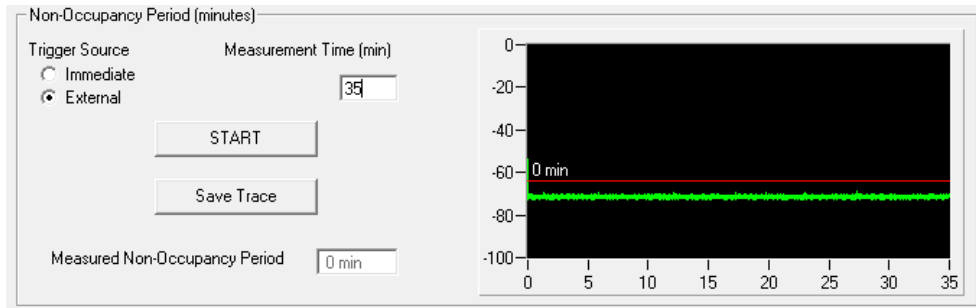


Figure 9-3. Band 2C Client Beacon Test – Monitoring live spectrum – Elapse time 30 minutes

FCC ID: A3LSMA356E	MEASUREMENT REPORT (CERTIFICATION)		Approved by: Technical Manager
Test Report S/N: 1M2310260110-22.A3L	Test Dates: 11/6/2023 - 12/27/2023	EUT Type: Portable Handset	Page 21 of 22

10.0 CONCLUSION

The data collected relate only to the item(s) tested and show that the **Samsung Portable Handset FCC ID: A3LSMA356E** is in compliance with the DFS requirements for a Client Device without radar detection in accordance with Part 15.407 of the FCC Rules.

FCC ID: A3LSMA356E	MEASUREMENT REPORT (CERTIFICATION)		Approved by: Technical Manager
Test Report S/N: 1M2310260110-22.A3L	Test Dates: 11/6/2023 - 12/27/2023	EUT Type: Portable Handset	Page 22 of 22