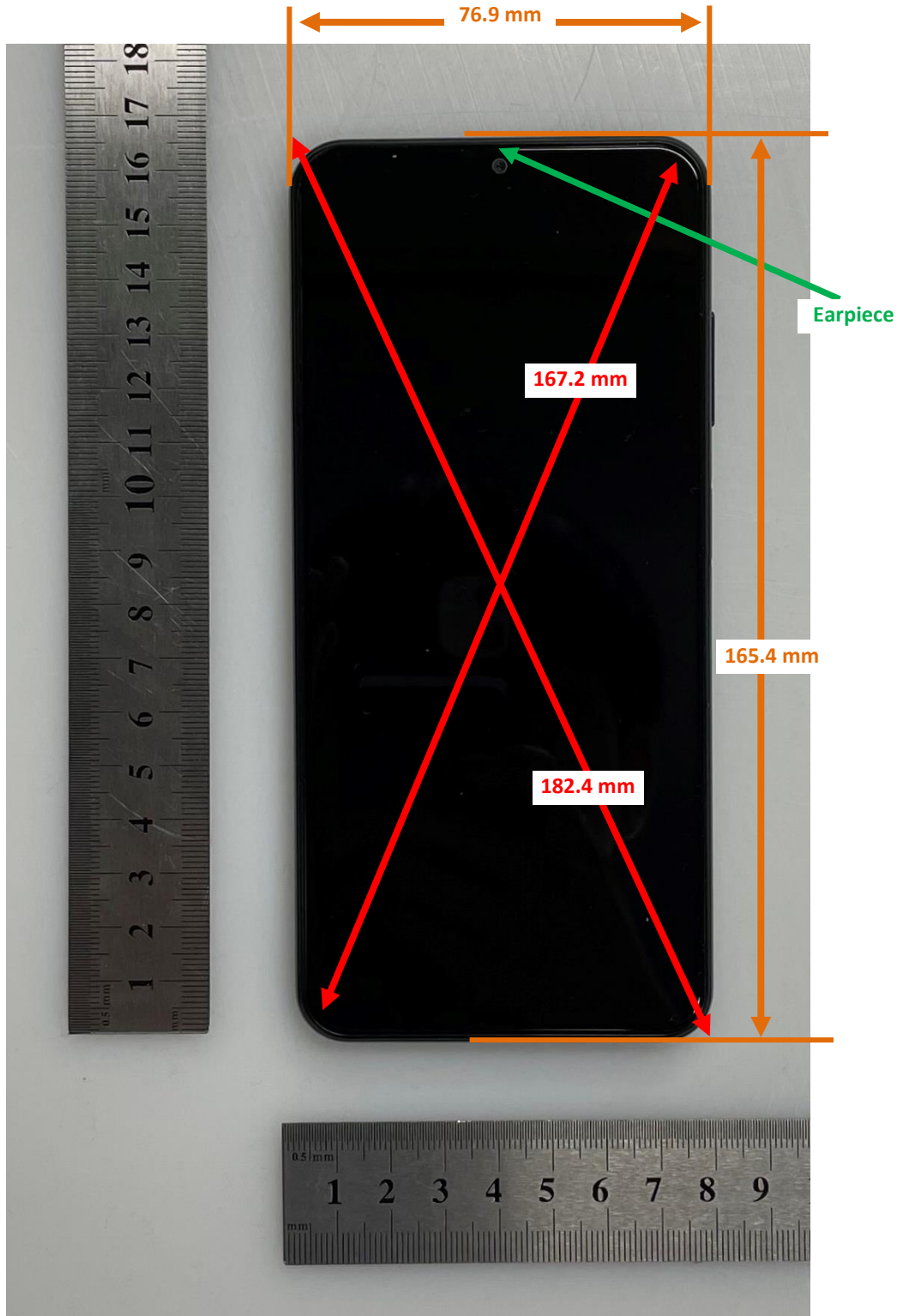


### DUT and SAR Set-up Photos

#### Overall Dimensions



Front View of the DUT



Rear View of the DUT



## Setup Photos

Handset Vertical and Horizontal Reference Lines

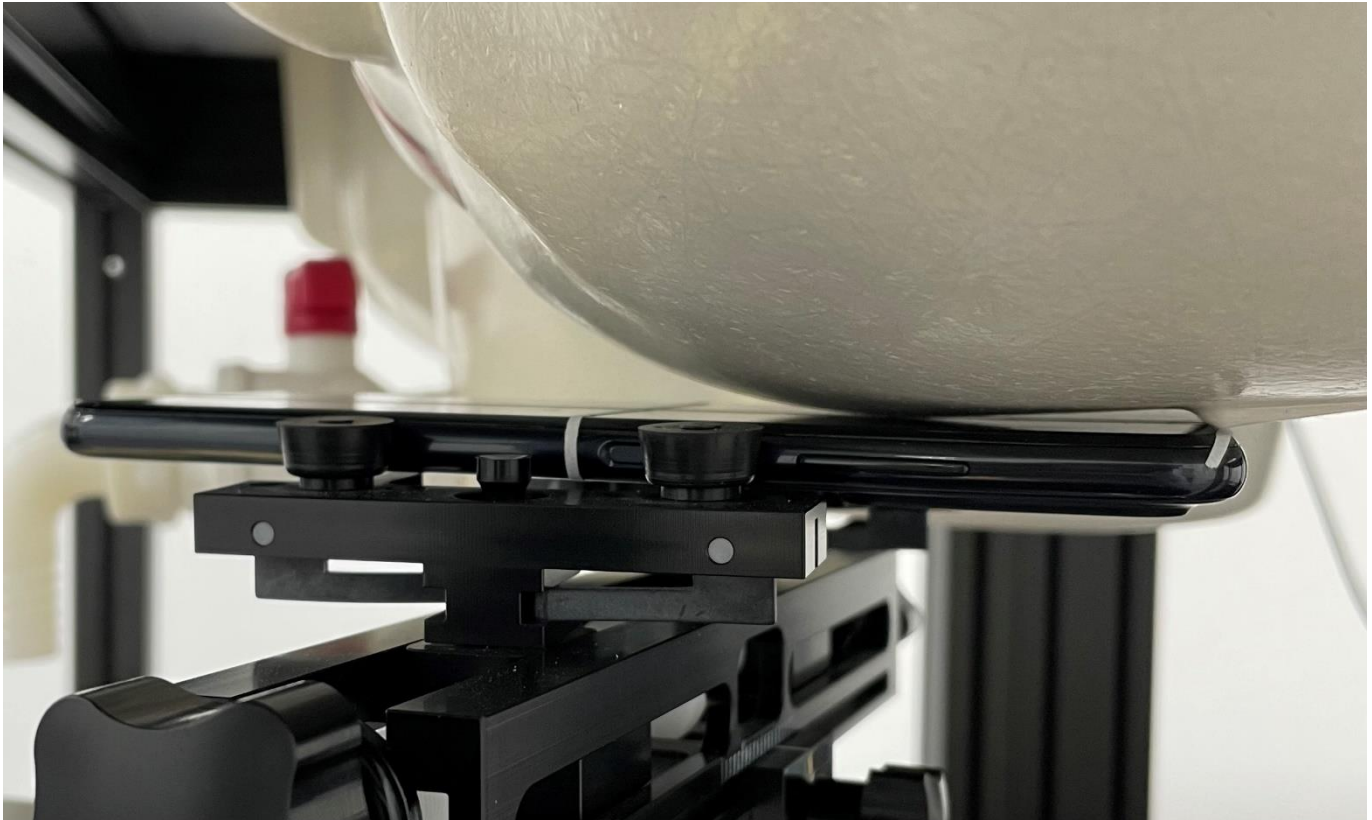
Vertical  
Center Line



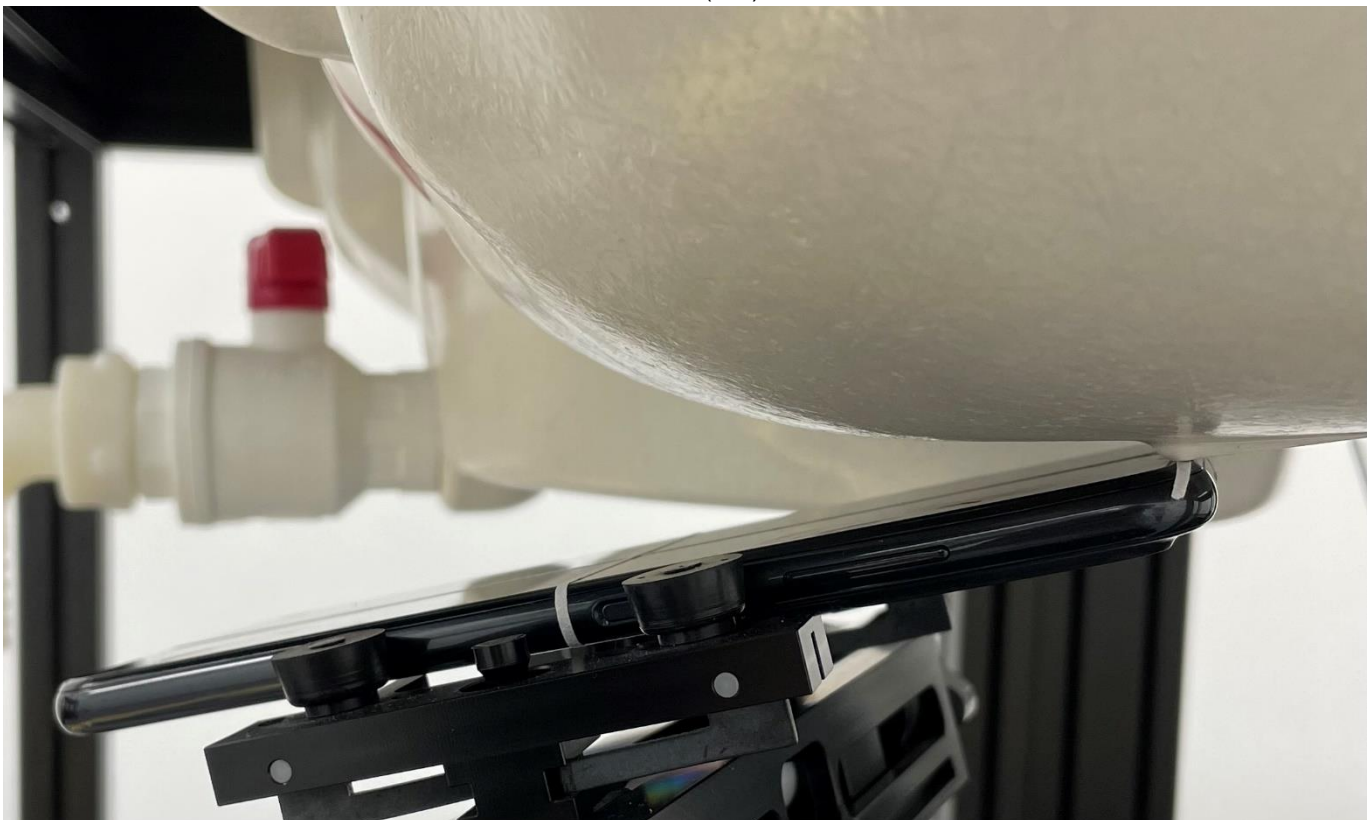
Horizontal  
Line

## Head Exposure Conditions

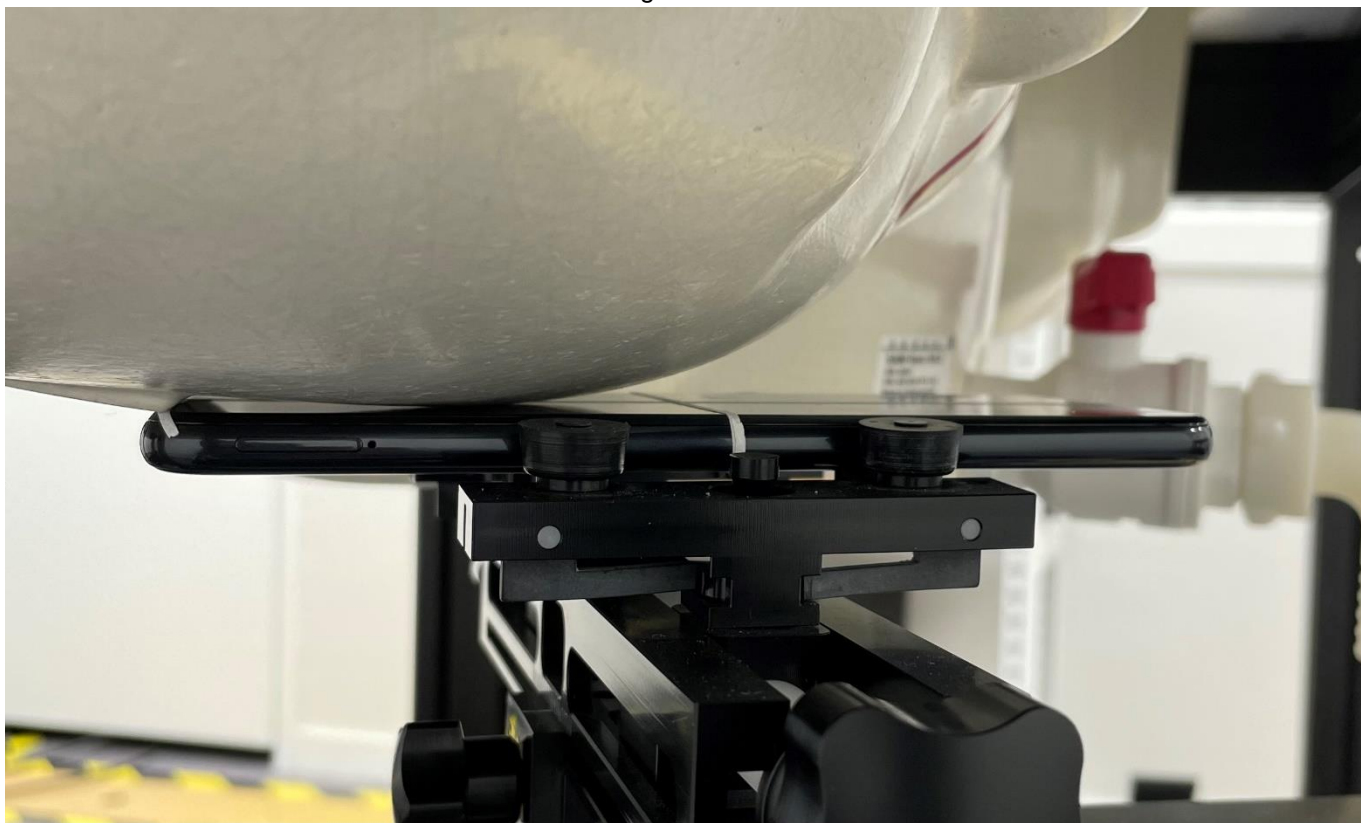
Left Touch



Left Tilt (15°)



Right Touch



Right Tilt (15°)

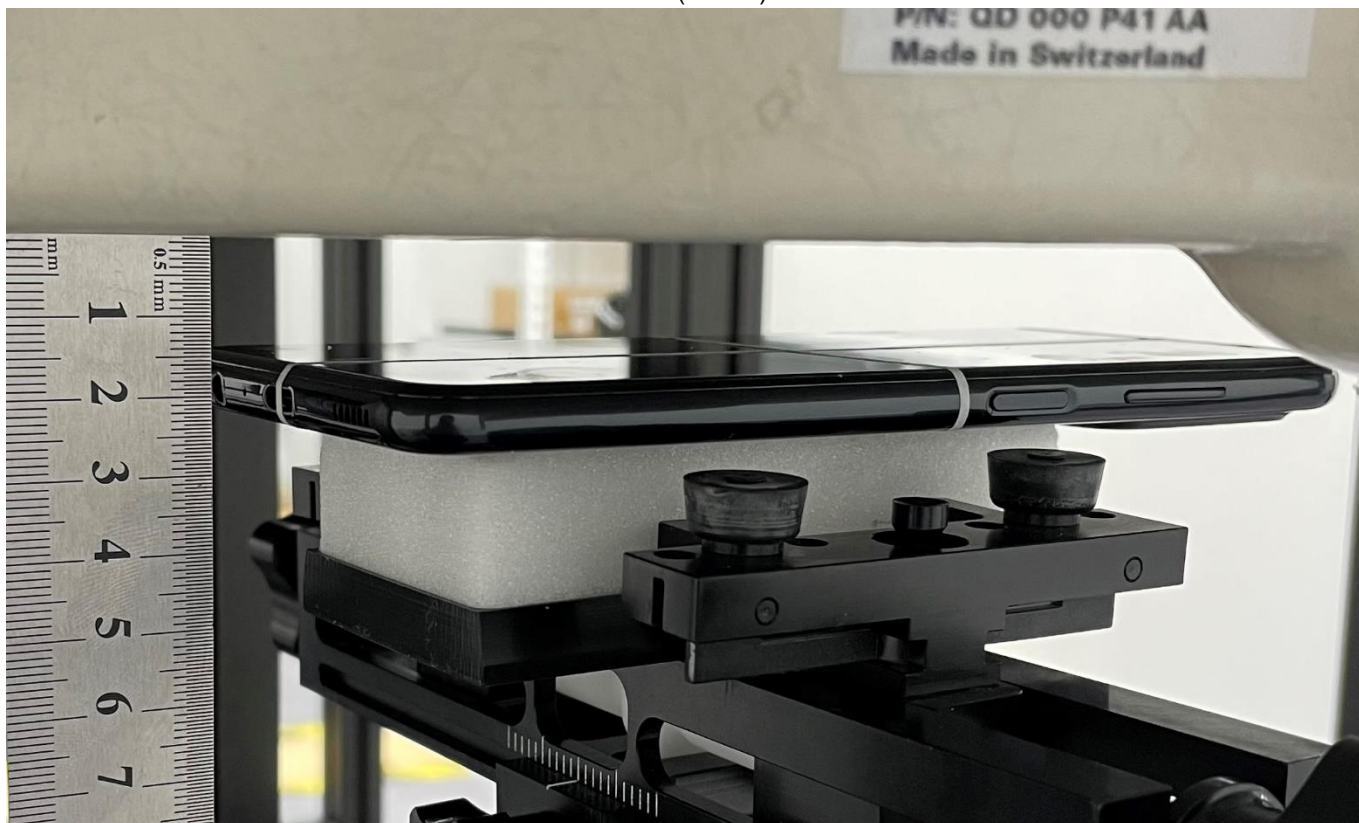


## Body-worn Accessory & Hotspot mode Exposure Conditions

Rear (15mm)

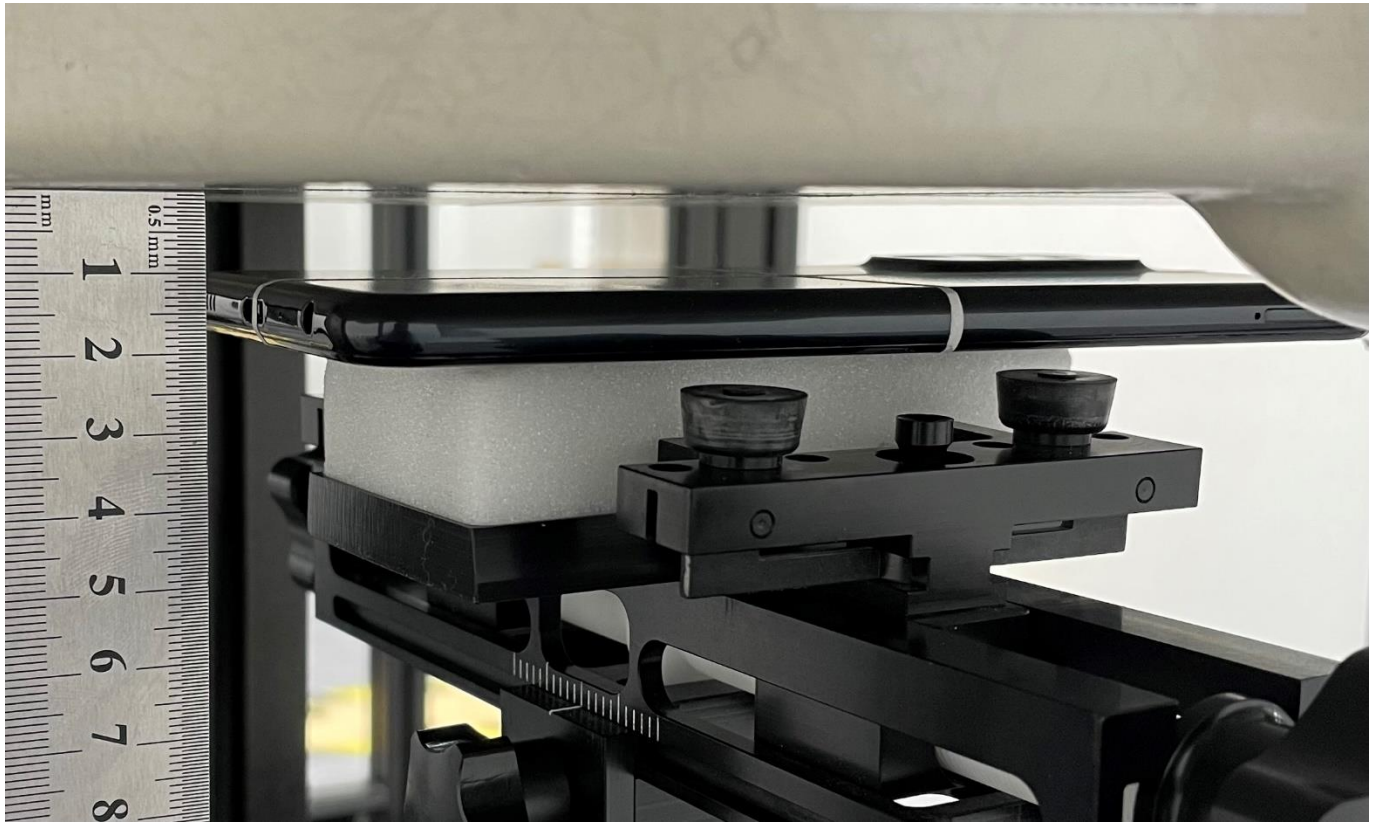


Front (15mm)

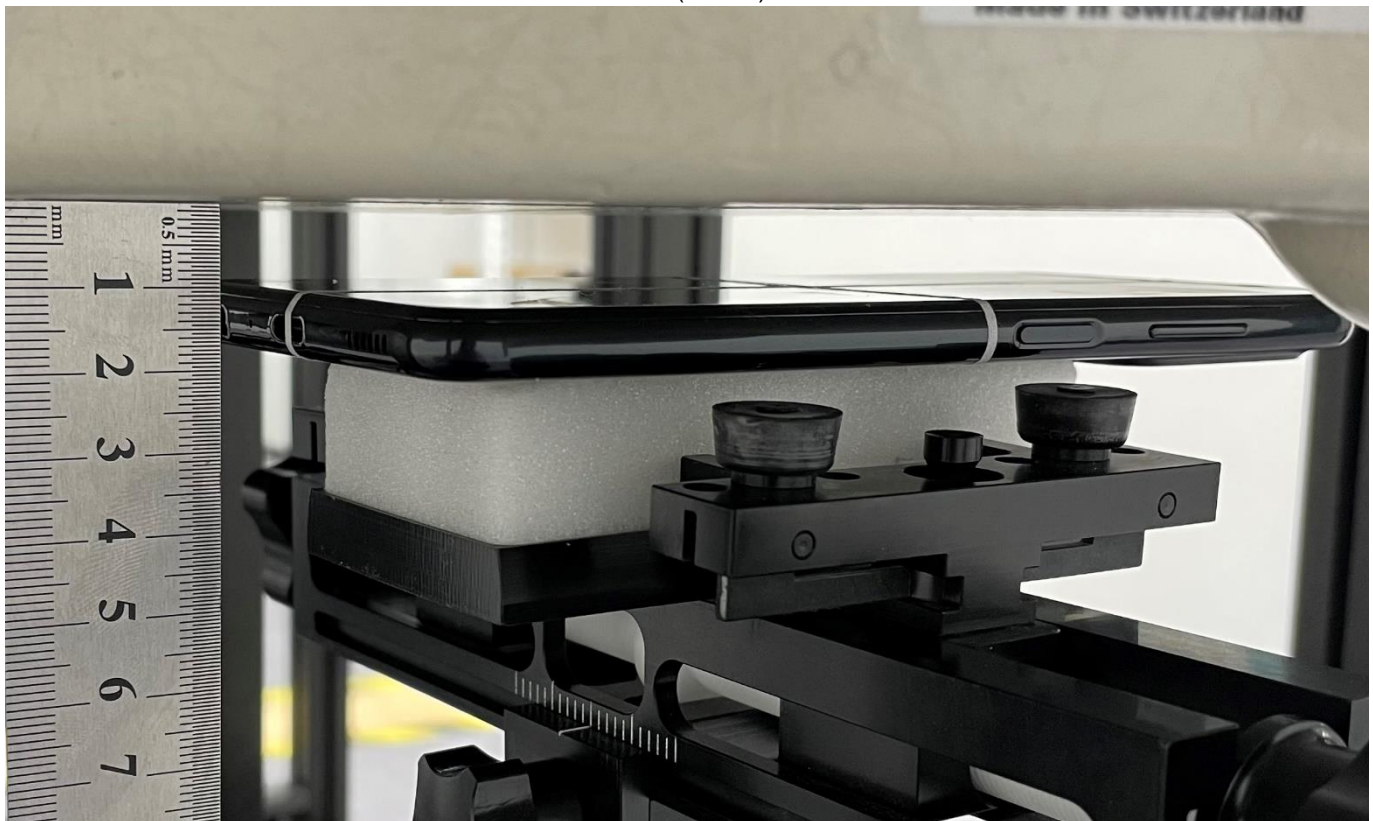


## Hotspot Exposure Conditions

Rear (10mm)



Front (10mm)



Edge 1 (10mm)



Edge 2 (10mm)

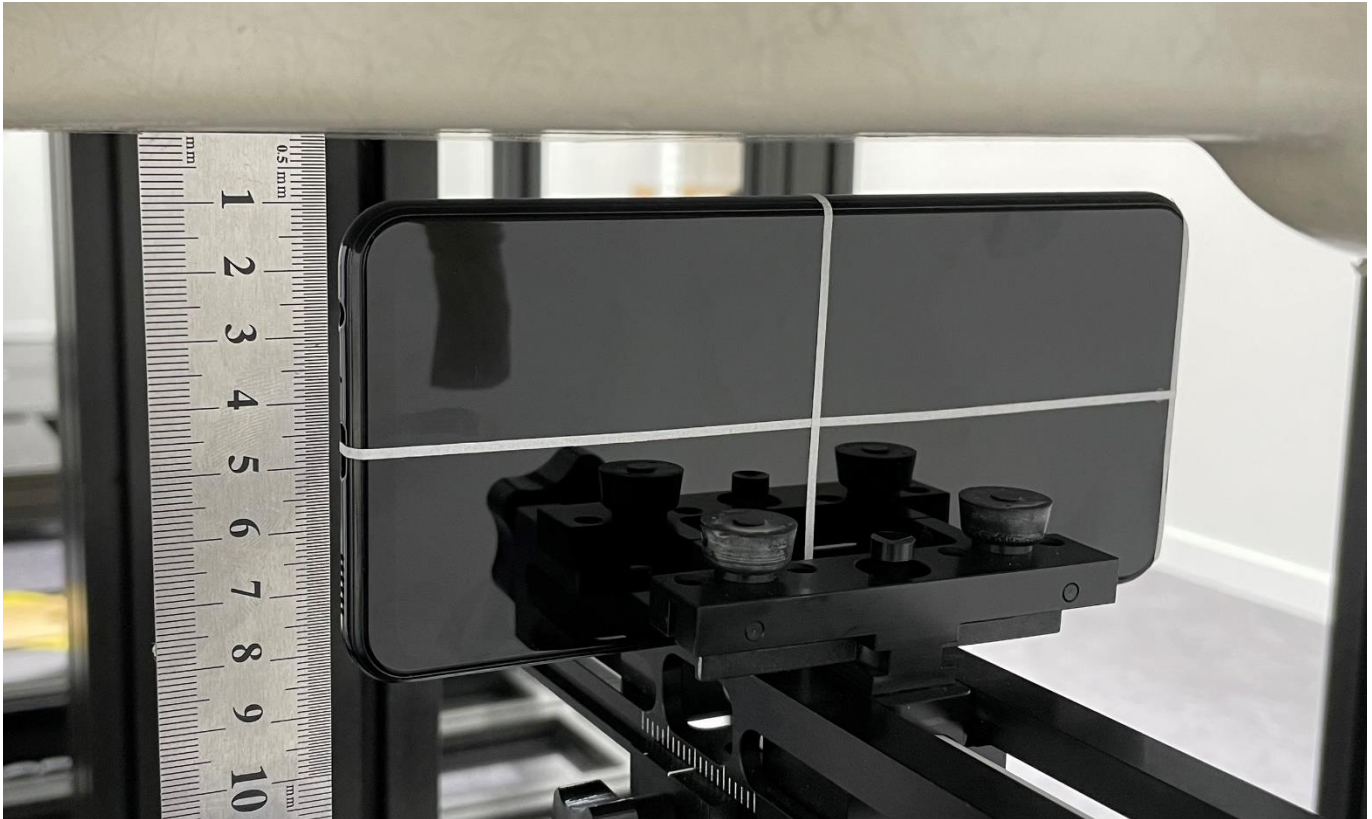




Edge 3 (10mm)



Edge 4 (10mm)



## Product Specific 10-g Exposure Conditions

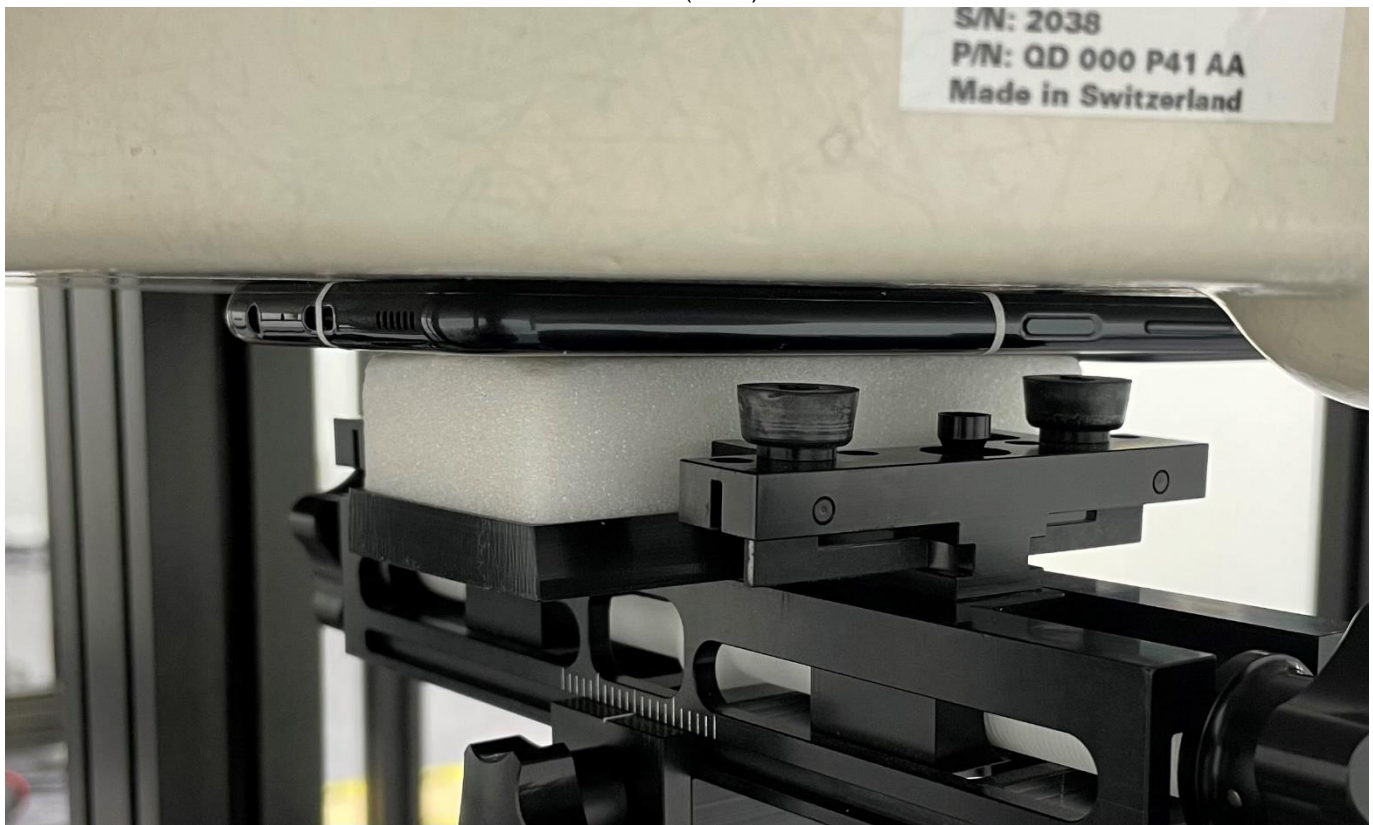
Rear (0mm)



Rear (13mm)



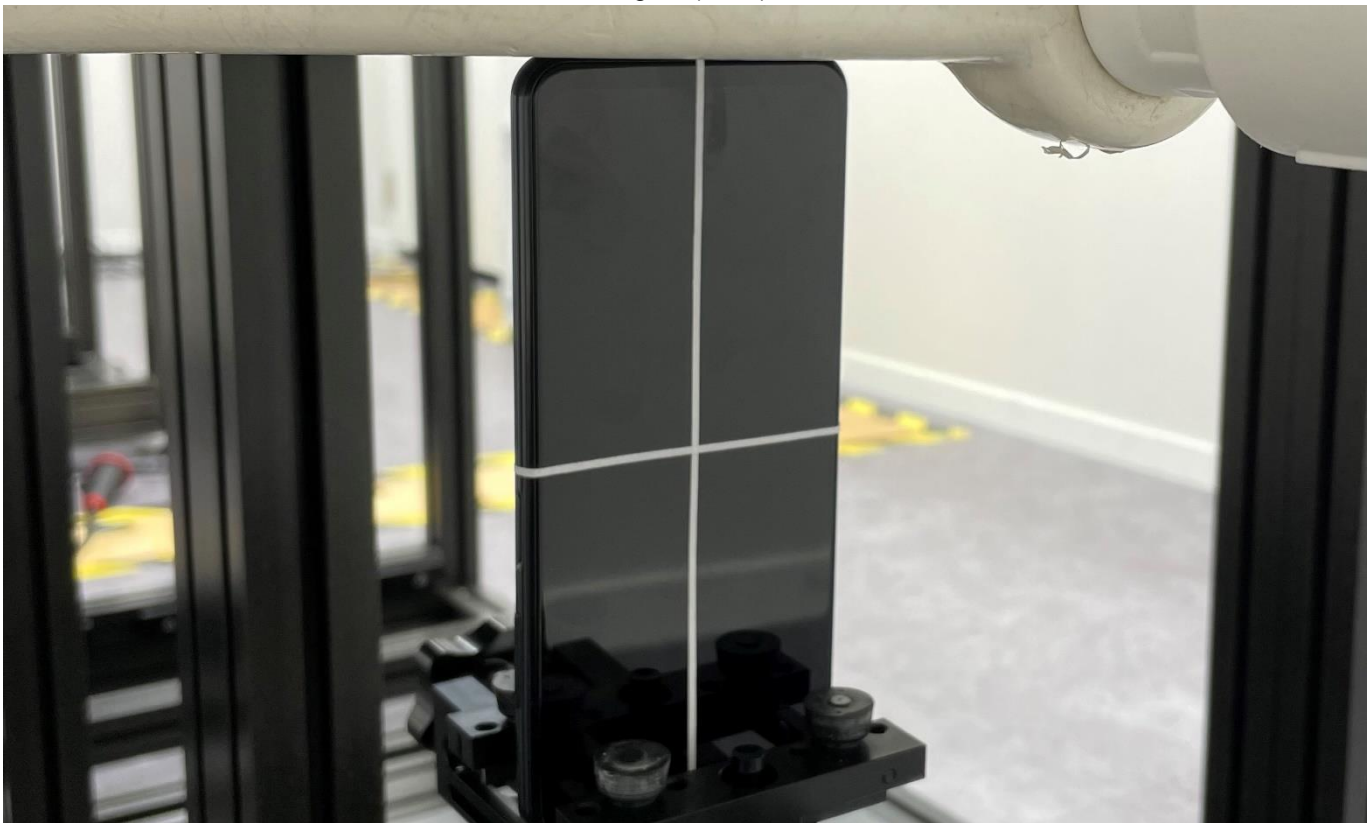
Front (0mm)



Edge 1 (0mm)

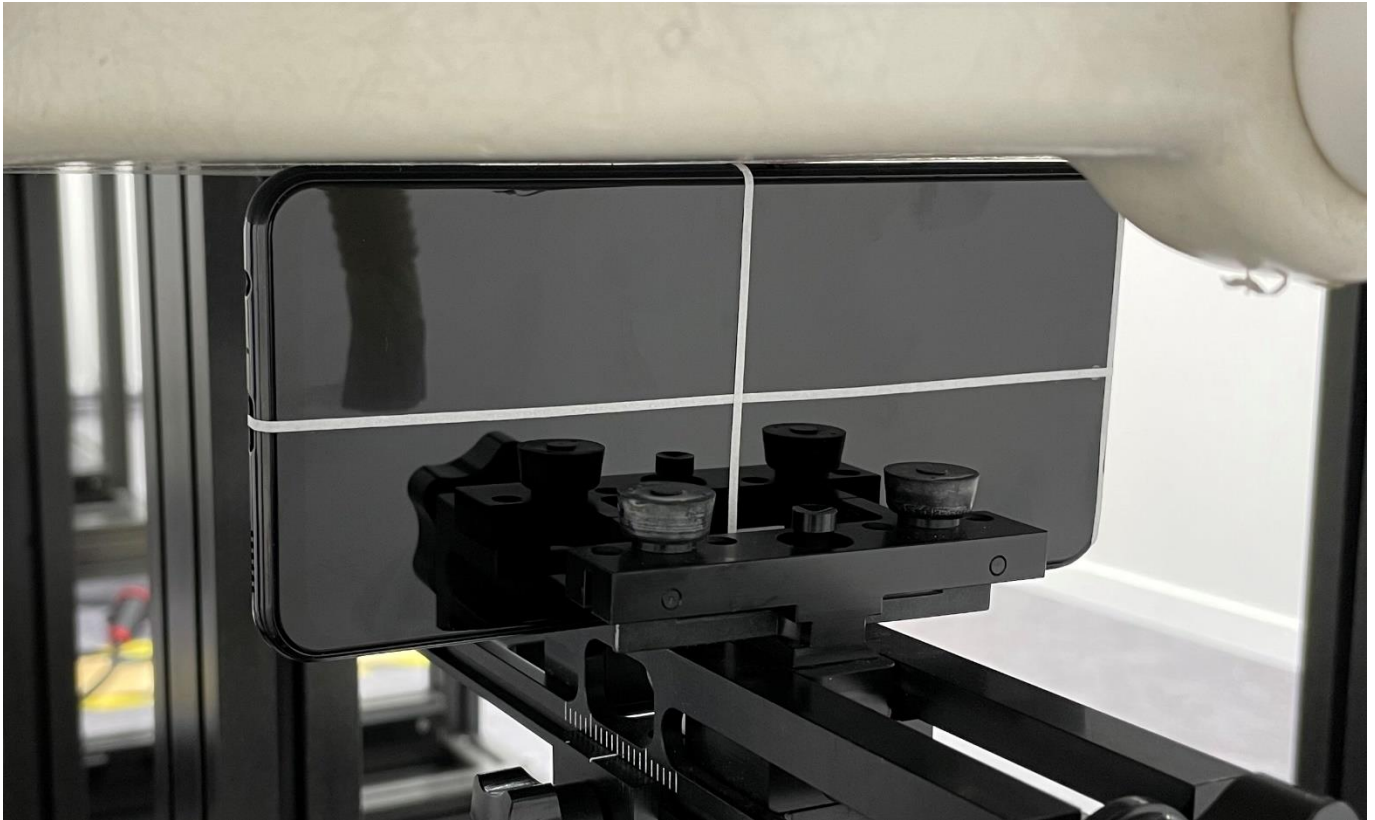


Edge 3 (0mm)



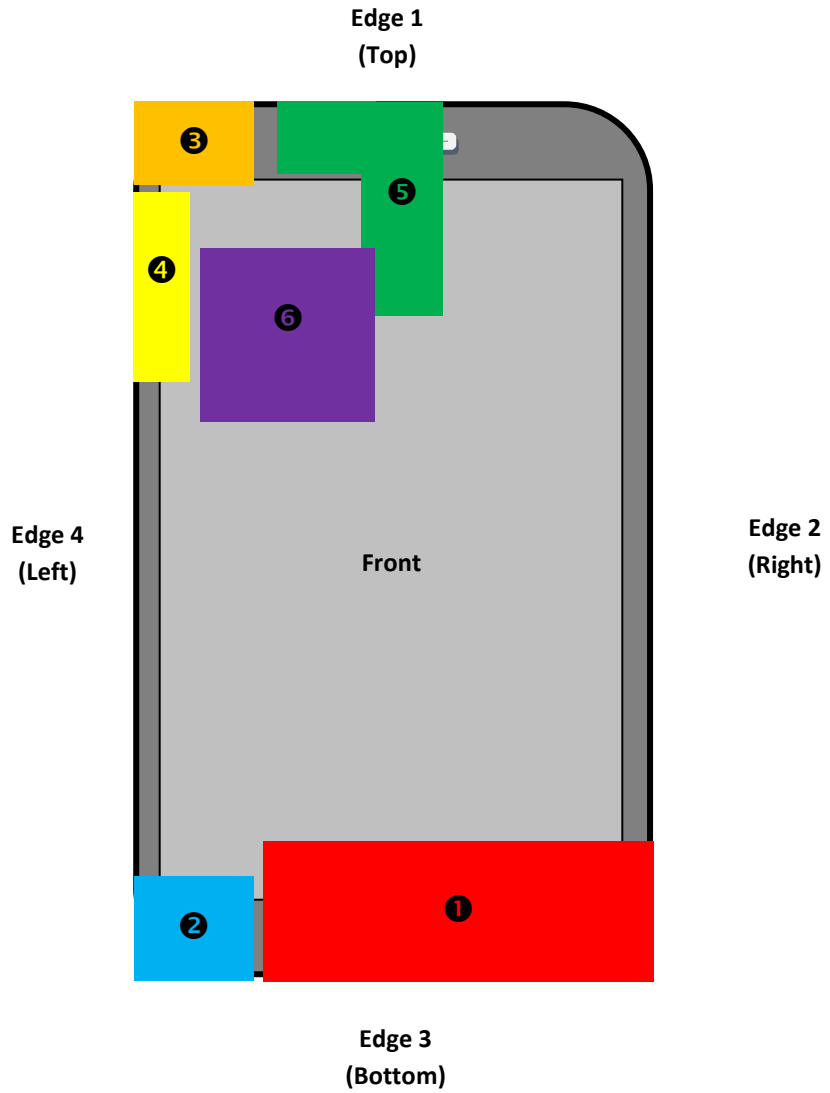
Edge 3 (7mm)





## Antenna Dimensions & Separation Distances

- ① Main Ant.1  
-GSM 850  
-WCDMA V  
-LTE B5, 12, 13  
-NR n5
- ② Main Ant.2  
- GSM 1900  
- WCDMA II  
- LTE B2, 4, 7, 66  
- NR n2, 66, 77 SRS3
- ③ SUB Ant.2  
- NR n77 SRS2
- ④ SUB Ant.3  
- LTE B48  
- NR n77(Voice/ Data/ SRS0)
- ⑤ SUB Ant.5  
-BT  
- WiFi 2.4G, 5G  
- NR n77 SRS1
- ⑥ NFC



Antenna		Main Ant.1	Main Ant.2	Sub Ant.2	Sub Ant.3	Sub Ant.5	NFC
Distance between Antenna to Edges of Device (mm)	Edge 1	148	154	2	15	2	21
	Edge 2	2	56	60	69	33	39
	Edge 3	2	2	156	122	130	116
	Edge 4	21	2	2	2	15	12