

APPENDIX I: LTE DOWNLINK ONLY CARRIER AGGREGATION TEST REDUCTION METHODOLOGY

SAR test exclusion for LTE downlink Carrier Aggregation is determined by power measurements according to the number of component carriers (CCs) supported by the product implementation. Per April 2018 TCBC Workshop Notes, the following test reduction methodology was applied to determine the combinations required for conducted power measurements.

LTE DLCA Test Reduction Methodology:

- The supported combinations were arranged by the number of component carriers in columns.
- Any limitations on the PCC or SCC for each combination were identified alongside the combination (e.g. CA_2A-2A-4A-12A, but B12 can only be configured as a SCC).
- Power measurements were performed for "supersets" (LTE CA combinations with multiple components carriers) and any "subsets" (LTE CA combinations with fewer component carriers) that were not completely covered by the supersets.
- Only subsets that have the exact same components as a superset were excluded for measurement.
- When there were certain restrictions on component carriers that existed in the superset that were not applied for the subset, the subset configuration was additionally evaluated.
- Both inter-band and intra-band downlink carrier aggregation scenarios were considered.
- Downlink CA combinations for SISO and 4x4 Downlink MIMO operations were measured independently, per May 2017 TCBC Workshop notes.

Table I-1 – Example of Exclusion Table for SISO Configurations

Index	BCC	Supported Channel Bandwidth (MHz)				Restriction	Completely Covered by Measurement Superset
		CC1	CC2	CC3	CC4		
CC#1	CA_2A	5, 10, 15, 20	5, 10, 15, 20	5, 10, 15, 20	5, 10, 15, 20	None	Yes
CC#2	CA_2A-2A	5, 10, 15, 20	5, 10, 15, 20	5, 10, 15, 20	5, 10, 15, 20	None	Yes
CC#3	CA_2A-2A-4A	5, 10, 15, 20	5, 10, 15, 20	5, 10, 15, 20	5, 10, 15, 20	None	Yes
CC#4	CA_2A-2A-4A-12A	5, 10, 15, 20	5, 10, 15, 20	5, 10, 15, 20	5, 10, 15, 20	None	Yes
CC#5	CA_2A-2A-4A-12A-12A	5, 10, 15, 20	5, 10, 15, 20	5, 10, 15, 20	5, 10, 15, 20	None	Yes
CC#6	CA_2A-2A-4A-12A-12A-12A	5, 10, 15, 20	5, 10, 15, 20	5, 10, 15, 20	5, 10, 15, 20	None	Yes
CC#7	CA_2A-2A-4A-12A-12A-12A-12A	5, 10, 15, 20	5, 10, 15, 20	5, 10, 15, 20	5, 10, 15, 20	None	Yes
CC#8	CA_2A-2A-4A-12A-12A-12A-12A-12A	5, 10, 15, 20	5, 10, 15, 20	5, 10, 15, 20	5, 10, 15, 20	None	Yes
CC#9	CA_2A-2A-4A-12A-12A-12A-12A-12A-12A	5, 10, 15, 20	5, 10, 15, 20	5, 10, 15, 20	5, 10, 15, 20	None	Yes
CC#10	CA_2A-2A-4A-12A-12A-12A-12A-12A-12A-12A	5, 10, 15, 20	5, 10, 15, 20	5, 10, 15, 20	5, 10, 15, 20	None	Yes

Table I-2 – Example of Exclusion Table for 4x4 Downlink MIMO Configurations

Index	BCC	Supported Channel Bandwidth (MHz)				Restriction	Completely Covered by Measurement Superset
		CC1	CC2	CC3	CC4		
CC#1	CA_12C	5, 10, 15, 20	5, 10, 15, 20	5, 10, 15, 20	5, 10, 15, 20	None	Yes
CC#2	CA_12A-2A	5, 10, 15, 20	5, 10, 15, 20	5, 10, 15, 20	5, 10, 15, 20	None	Yes
CC#3	CA_12A-12A	5, 10, 15, 20	5, 10, 15, 20	5, 10, 15, 20	5, 10, 15, 20	None	Yes
CC#4	CA_12A-12A-12A	5, 10, 15, 20	5, 10, 15, 20	5, 10, 15, 20	5, 10, 15, 20	None	Yes
CC#5	CA_12A-12A-12A-12A	5, 10, 15, 20	5, 10, 15, 20	5, 10, 15, 20	5, 10, 15, 20	None	Yes
CC#6	CA_12A-12A-12A-12A-12A	5, 10, 15, 20	5, 10, 15, 20	5, 10, 15, 20	5, 10, 15, 20	None	Yes
CC#7	CA_12A-12A-12A-12A-12A-12A	5, 10, 15, 20	5, 10, 15, 20	5, 10, 15, 20	5, 10, 15, 20	None	Yes
CC#8	CA_12A-12A-12A-12A-12A-12A-12A	5, 10, 15, 20	5, 10, 15, 20	5, 10, 15, 20	5, 10, 15, 20	None	Yes
CC#9	CA_12A-12A-12A-12A-12A-12A-12A-12A	5, 10, 15, 20	5, 10, 15, 20	5, 10, 15, 20	5, 10, 15, 20	None	Yes
CC#10	CA_12A-12A-12A-12A-12A-12A-12A-12A-12A	5, 10, 15, 20	5, 10, 15, 20	5, 10, 15, 20	5, 10, 15, 20	None	Yes
CC#11	CA_12A-12A-12A-12A-12A-12A-12A-12A-12A-12A	5, 10, 15, 20	5, 10, 15, 20	5, 10, 15, 20	5, 10, 15, 20	None	Yes

Note: [CC] indicates component carrier with 4x4 DL MIMO antenna configuration

I.1 LTE Downlink Only Carrier Aggregation Test Selection and Setup

SAR test exclusion for LTE downlink Carrier Aggregation is determined by power measurements according to the number component carriers (CCs) supported by the product implementation. For those configurations required by April 2018 TCBC Workshop Notes, conducted power measurements with LTE Carrier Aggregation (CA) (downlink

FCC ID: A3LSMA156E	SAR EVALUATION REPORT	Approved by: Technical Manager
DUT Type: Portable Handset		APPENDIX I: Page 1 of 5

only) active are made in accordance to KDB Publication 941225 D05Av01r02. The RRC connection is only handled by one cell, the primary component carrier (PCC) for downlink and uplink communications. After making a data connection to the PCC, the UE device adds secondary component carrier(s) (SCC) on the downlink only. All uplink communications and acknowledgements remain identical to specifications when downlink carrier aggregation is inactive on the PCC. Additional conducted output powers are measured with the downlink carrier aggregation active for the configuration with highest measured maximum conducted power with downlink carrier aggregation active measured among the channel bandwidth, modulation, and RB combinations in each frequency band.

Per FCC KDB Publication 941225 D05Av01r02, no SAR measurements are required for carrier aggregation configurations when the maximum average output power with downlink only carrier aggregation active is not more than 0.25 dB higher than the average output power with downlink only carrier aggregation inactive. All bands required for SAR testing per FCC KDB procedures were considered. Based on the measured maximum powers below, no additional SAR tests were required for DLCA SAR configurations.

General PCC and SCC configuration selection procedure

- PCC uplink channel, channel bandwidth, modulation and RB configurations were selected based on section C)3)b)ii) of KDB 941225 D05 V01r02. All LTE bandwidth conducted powers needed for PCC uplink configuration selection can be found in the RF Conducted Powers Section and LTE/NR Lower Bandwidth RF Conducted Power Appendix. The downlink PCC channel was paired with the selected PCC uplink channel according to normal configurations without carrier aggregation.
- To maximize aggregated bandwidth, highest channel bandwidth available for that CA combination was selected for SCC. For inter-band CA, the SCC downlink channels were selected near the middle of their transmission bands. For contiguous intra-band CA, the downlink channel spacing between the component carriers was set to multiple of 300 kHz less than the nominal channel spacing defined in section 5.4.1A of 3GPP TS 36.521. For non-contiguous intra-band CA, the downlink channel spacing between the component carriers was set to be larger than the nominal channel spacing and provided maximum separation between the component carriers.
- All selected PCC and SCC(s) remained fully within the uplink/downlink transmission band of the respective component carrier.

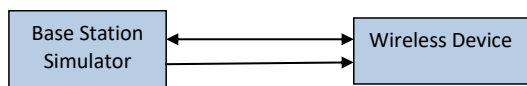


Figure I-1
DL CA Power Measurement Setup

FCC ID: A3LSMA156E	SAR EVALUATION REPORT	Approved by: Technical Manager
DUT Type: Portable Handset		APPENDIX I: Page 2 of 5

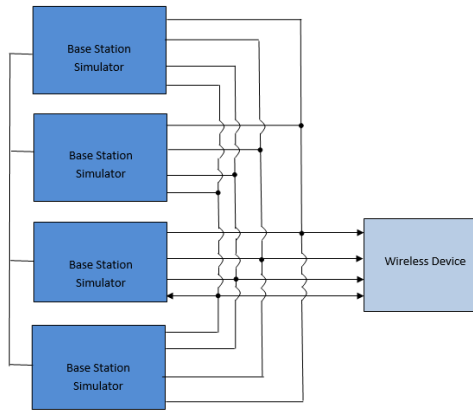


Figure I-2
DL CA with DL 4x4 MIMO Power Measurement Setup

I.2 Downlink Carrier Aggregation RF Conducted Powers

I.2.1 LTE Band 12 as PCC

Table I-3
Maximum Output Powers

Combination	PCC									SCC				Power	
	PCC Band	PCC BW [MHz]	PCC (UL) Channel	PCC (UL) Freq. [MHz]	Modulation	PCC UL# RB	PCC UL RB Offset	PCC (DL) Ch.	PCC (DL) Freq. [MHz]	SCC Band	SCC BW [MHz]	SCC (DL) Ch.	SCC (DL) Freq. [MHz]	LTE Tx.Power with DL CA Enabled (dBm)	LTE Single Carrier Tx Power (dBm)
CA_2A-12A (1)	LTE B12	5	23155	713.5	QPSK	1	24	5155	743.5	LTE B2	20	900	1960	23.87	23.96
CA_4A-12A (1)	LTE B12	5	23155	713.5	QPSK	1	24	5155	743.5	LTE B4	20	2175	2132.5	23.86	23.96
CA_4A-12A (2)	LTE B12	5	23155	713.5	QPSK	1	24	5155	743.5	LTE B4	20	2175	2132.5	23.86	23.96
CA_12A-66A (1)	LTE B12	5	23155	713.5	QPSK	1	24	5155	743.5	LTE B66	20	66786	2145	23.90	23.96
CA_12A-66A (2)	LTE B12	5	23155	713.5	QPSK	1	24	5155	743.5	LTE B66	20	66786	2145	23.90	23.96

I.2.2 LTE Band 26 as PCC

Table I-4
Maximum Output Powers

Combination	PCC									SCC				Power	
	PCC Band	PCC BW [MHz]	PCC (UL) Channel	PCC (UL) Freq. [MHz]	Modulation	PCC UL# RB	PCC UL RB Offset	PCC (DL) Ch.	PCC (DL) Freq. [MHz]	SCC Band	SCC BW [MHz]	SCC (DL) Ch.	SCC (DL) Freq. [MHz]	LTE Tx.Power with DL CA Enabled (dBm)	LTE Single Carrier Tx Power (dBm)
CA_26A-41A	LTE B26	15	26865	831.5	QPSK	1	36	8865	876.5	LTE B41	20	40620	2593	23.82	23.81

I.2.3 LTE Band 66 as PCC

Table I-5
Maximum Output Powers

Combination	PCC									SCC				Power	
	PCC Band	PCC BW [MHz]	PCC (UL) Channel	PCC (UL) Freq. [MHz]	Modulation	PCC UL# RB	PCC UL RB Offset	PCC (DL) Ch.	PCC (DL) Freq. [MHz]	SCC Band	SCC BW [MHz]	SCC (DL) Ch.	SCC (DL) Freq. [MHz]	LTE Tx.Power with DL CA Enabled (dBm)	LTE Single Carrier Tx Power (dBm)
CA_2A-66A	LTE B66	15	132047	1717.5	QPSK	1	74	66511	2117.5	LTE B2	20	900	1960	23.80	23.77
CA_12A-66A (1)	LTE B66	15	132047	1717.5	QPSK	1	74	66511	2117.5	LTE B12	10	5095	737.5	23.70	23.77
CA_12A-66A (2)	LTE B66	15	132047	1717.5	QPSK	1	74	66511	2117.5	LTE B12	10	5095	737.5	23.70	23.77
CA_66A-66A	LTE B66	15	132047	1717.5	QPSK	1	74	66511	2117.5	LTE B66	20	67236	2190	23.76	23.77
CA_66B	LTE B66	15	132047	1717.5	QPSK	1	74	66511	2117.5	LTE B66	5	66604	2126.8	23.79	23.77
CA_66C	LTE B66	15	132047	1717.5	QPSK	1	74	66511	2117.5	LTE B66	20	66682	2134.6	23.78	23.77

FCC ID: A3LSMA156E	SAR EVALUATION REPORT	Approved by: Technical Manager
DUT Type: Portable Handset		APPENDIX I: Page 3 of 5

I.2.4 LTE Band 2 as PCC

Table I-6
Maximum Output Powers

Combination	PCC								SCC				Power		
	PCC Band	PCC BW [MHz]	PCC (UL) Channel	PCC (UL) Freq. [MHz]	Modulation	PCC UL# RB	PCC UL RB Offset	PCC (DL) Ch.	PCC (DL) Freq. [MHz]	SCC Band	SCC BW [MHz]	SCC (DL) Ch.	SCC (DL) Freq. [MHz]	LTE Tx.Power with DL CA Enabled (dBm)	LTE Single Carrier Tx Power (dBm)
CA_2A-2A	LTE B2	20	18700	1860	QPSK	1	50	700	1940	LTE B2	20	1100	1980	22.99	23.00
CA_2A-4A	LTE B2	20	18700	1860	QPSK	1	50	700	1940	LTE B4	20	2175	2132.5	22.98	23.00
CA_2A-4A (1)	LTE B2	10	18900	1880	QPSK	1	25	900	1960	LTE B4	10	2175	2132.5	22.97	22.96
CA_2A-4A (2)	LTE B2	20	18700	1860	QPSK	1	50	700	1940	LTE B4	20	2175	2132.5	22.98	23.00
CA_2A-5A	LTE B2	20	18700	1860	QPSK	1	50	700	1940	LTE B5	10	2525	881.5	23.00	23.00
CA_2A-5A (1)	LTE B2	10	18900	1880	QPSK	1	25	900	1960	LTE B5	10	2525	881.5	22.98	22.96
CA_2A-12A	LTE B2	20	18700	1860	QPSK	1	50	700	1940	LTE B12	10	5095	737.5	23.02	23.00
CA_2A-12A (1)	LTE B2	20	18700	1860	QPSK	1	50	700	1940	LTE B12	10	5095	737.5	23.02	23.00
CA_2A-12A (2)	LTE B2	10	18900	1880	QPSK	1	25	900	1960	LTE B12	10	5095	737.5	22.97	22.96
CA_2A-13A	LTE B2	20	18700	1860	QPSK	1	50	700	1940	LTE B13	10	5230	751	22.96	23.00
CA_2A-13A (1)	LTE B2	10	18900	1880	QPSK	1	25	900	1960	LTE B13	10	5230	751	22.99	22.96
CA_2A-13A (2)	LTE B2	20	18700	1860	QPSK	1	50	700	1940	LTE B13	10	5230	751	22.96	23.00
CA_2A-17A	LTE B2	10	18900	1880	QPSK	1	25	900	1960	LTE B17	10	5790	740	22.98	22.96
CA_2A-66A	LTE B2	20	18700	1860	QPSK	1	50	700	1940	LTE B66	20	66786	2145	22.99	23.00
CA_2A-66A (1)	LTE B2	10	18900	1880	QPSK	1	25	900	1960	LTE B66	10	66786	2145	22.96	22.96
CA_2A-66A (2)	LTE B2	20	18700	1860	QPSK	1	50	700	1940	LTE B66	20	66786	2145	22.99	23.00

I.2.5 LTE Band 41 as PCC

Table I-7
Maximum Output Powers

Combination	PCC								SCC				Power		
	PCC Band	PCC BW [MHz]	PCC (UL) Channel	PCC (UL) Freq. [MHz]	Modulation	PCC UL# RB	PCC UL RB Offset	PCC (DL) Ch.	PCC (DL) Freq. [MHz]	SCC Band	SCC BW [MHz]	SCC (DL) Ch.	SCC (DL) Freq. [MHz]	LTE Tx.Power with DL CA Enabled (dBm)	LTE Single Carrier Tx Power (dBm)
CA_41A-41A (1)	LTE B41	20	40620	2593	QPSK	1	0	40620	2593	LTE B41	20	41490	2680	22.51	22.53
CA_41C (1)	LTE B41	20	40620	2593	QPSK	1	0	40620	2593	LTE B41	20	40818	2612.8	22.52	22.53

FCC ID: A3LSMA156E	SAR EVALUATION REPORT	Approved by: Technical Manager
DUT Type: Portable Handset		APPENDIX I: Page 4 of 5

I.3 DL CA with DL 4x4 MIMO RF Conduction Powers

This device supports downlink 4x4 MIMO operations for some LTE bands. Uplink transmission is limited to a single output stream. When carrier aggregation was applicable, the general test selection and setup procedures described in Section I.1 were applied.

Per May 2017 TCB Workshop Notes, SAR for 4x4 DL MIMO was not needed since the maximum average output power in 4x4 DL MIMO mode was not more than 0.25 dB higher than the maximum output power with 4x4 DL MIMO inactive. Additionally, SAR for 4x4 MIMO Downlink Carrier Aggregation was not needed since the maximum average output power in 4x4 MIMO Downlink Carrier Aggregation mode was not more than 0.25 dB higher than the maximum output power with 4x4 MIMO Downlink and downlink carrier aggregation inactive.

I.3.1 LTE 4x4 MIMO DL Standalone Powers

Table I-8
Maximum Output Powers

LTE Band	Bandwidth [MHz]	Channel	Frequency [MHz]	Modulation	RB Size	RB Offset	4x4 DL MIMO Tx. Power [dBm]	Single Antenna Tx. Power [dBm]	Target Power [dBm]
41	20	40620	2593	QPSK	1	0	22.54	22.53	23.0

FCC ID: A3LSMA156E	SAR EVALUATION REPORT	Approved by: Technical Manager
DUT Type: Portable Handset		APPENDIX I: Page 5 of 5