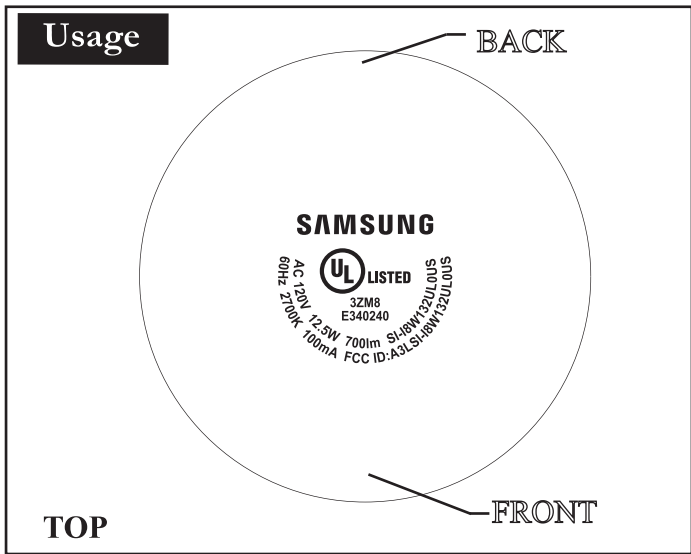


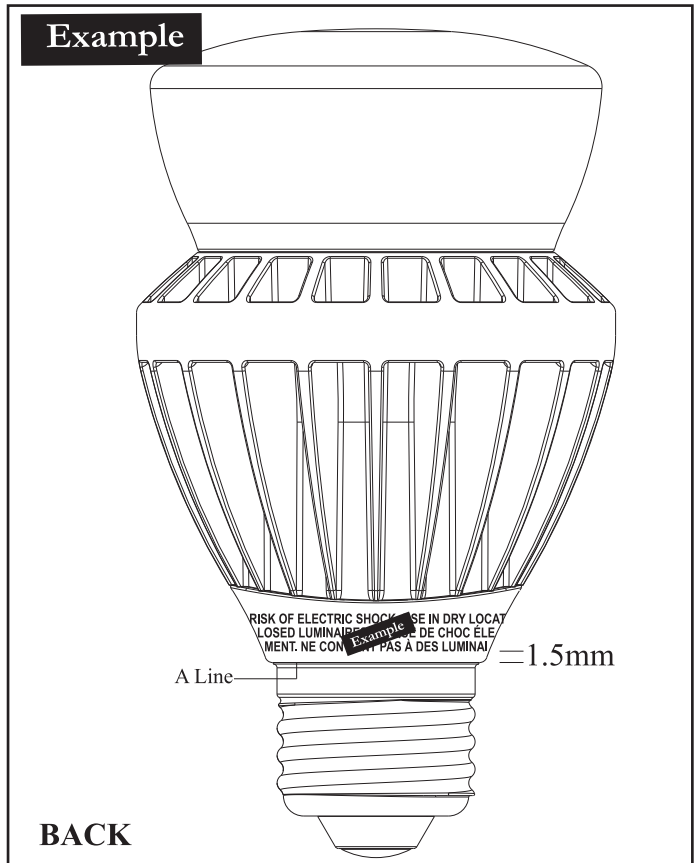
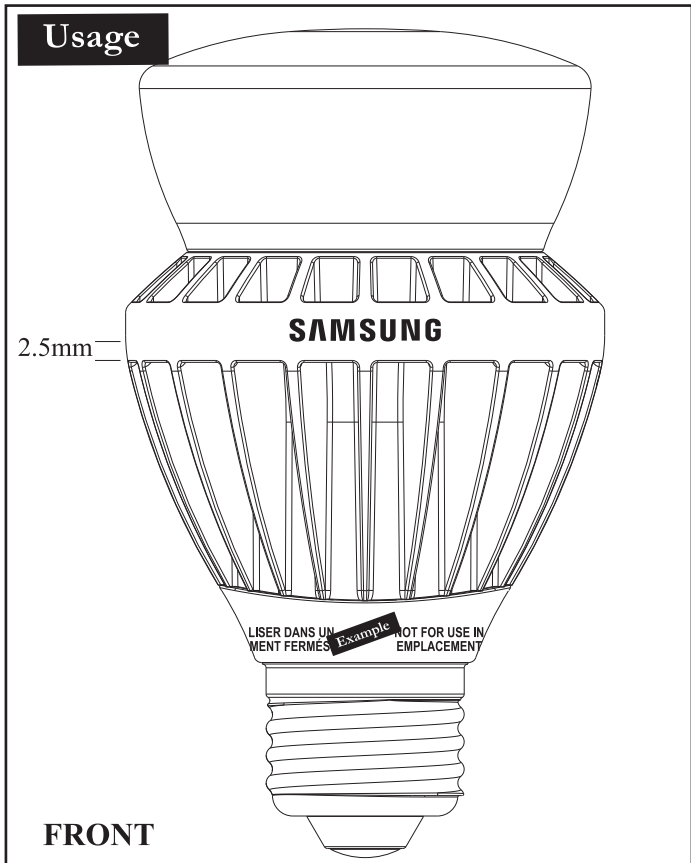
Product Name	Smart 50W US 2700K B2C	Code	SI-I8W132UL0US	Ver.	<b>Final 1.1</b>
--------------	------------------------	------	----------------	------	------------------



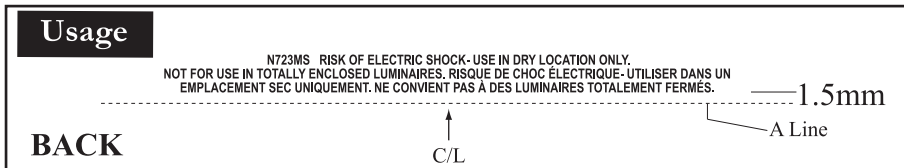
**NOTE**

- Front Samsung Logo / Top Cover : Pad Printing
- Samsung logo size : 20mm(Front), 18mm(Top Cover)
- Back : Laser Marking
- Color : Pantone Cool Gray 8C(Front logo, Cover Text)

\* It is possible to print manufacturing Date (ex) M723MS) by another method different from pad printing.



SCALE 1:1



**제조일자 생성 방법**

**MANUFACTURING DATE**

M401LM→ Year : 2012 / Month : 4 / Day : 01  
Year = A:00,B:01,.....G:06,H:07,I:08,.....M:12,.....  
Month = 1:1,2:2,.....9:9,A:10,B:11,C:12  
Day = 01 ~ 09, 10, 11~31

**MANUFACTURING LOCATION**

SM(삼성 Mother Line), TM(천진라인), SI...(서일전자), LM(Leeleds라인), MS(MSO라인)...

**ORIGINAL FILM**

(design part)

Confirm	Approval

Product Name	Smart 50W	Designer	Wonchul Hwang
Model Name		Code No.	
Part Name		Production Date	2013. 08. 20

This film is confidential and any reproduction or amputation is prohibited.