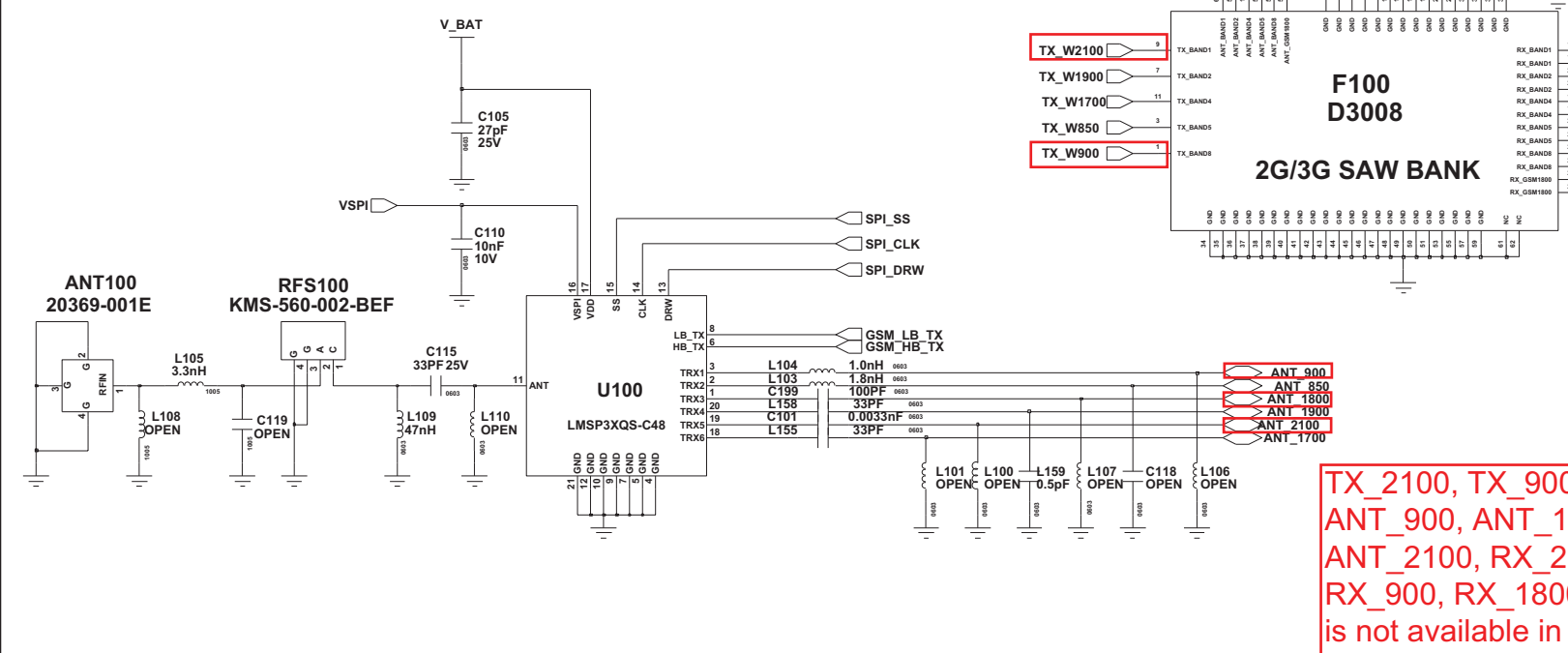
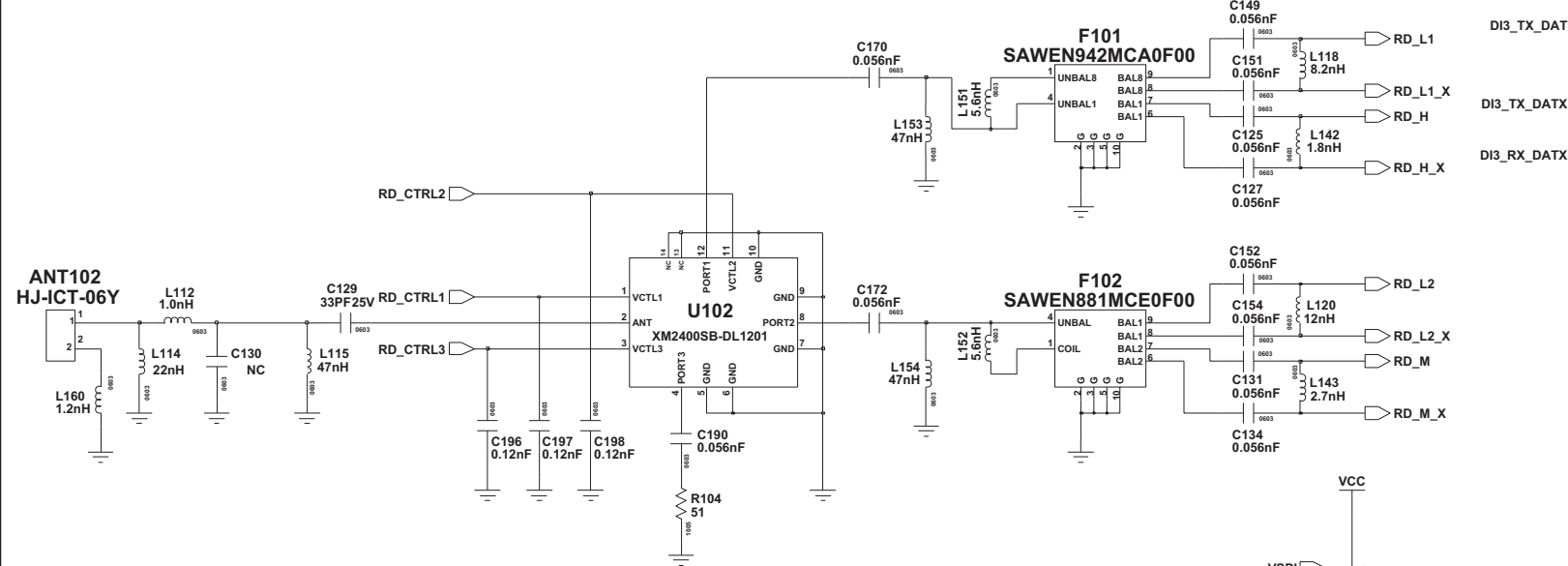
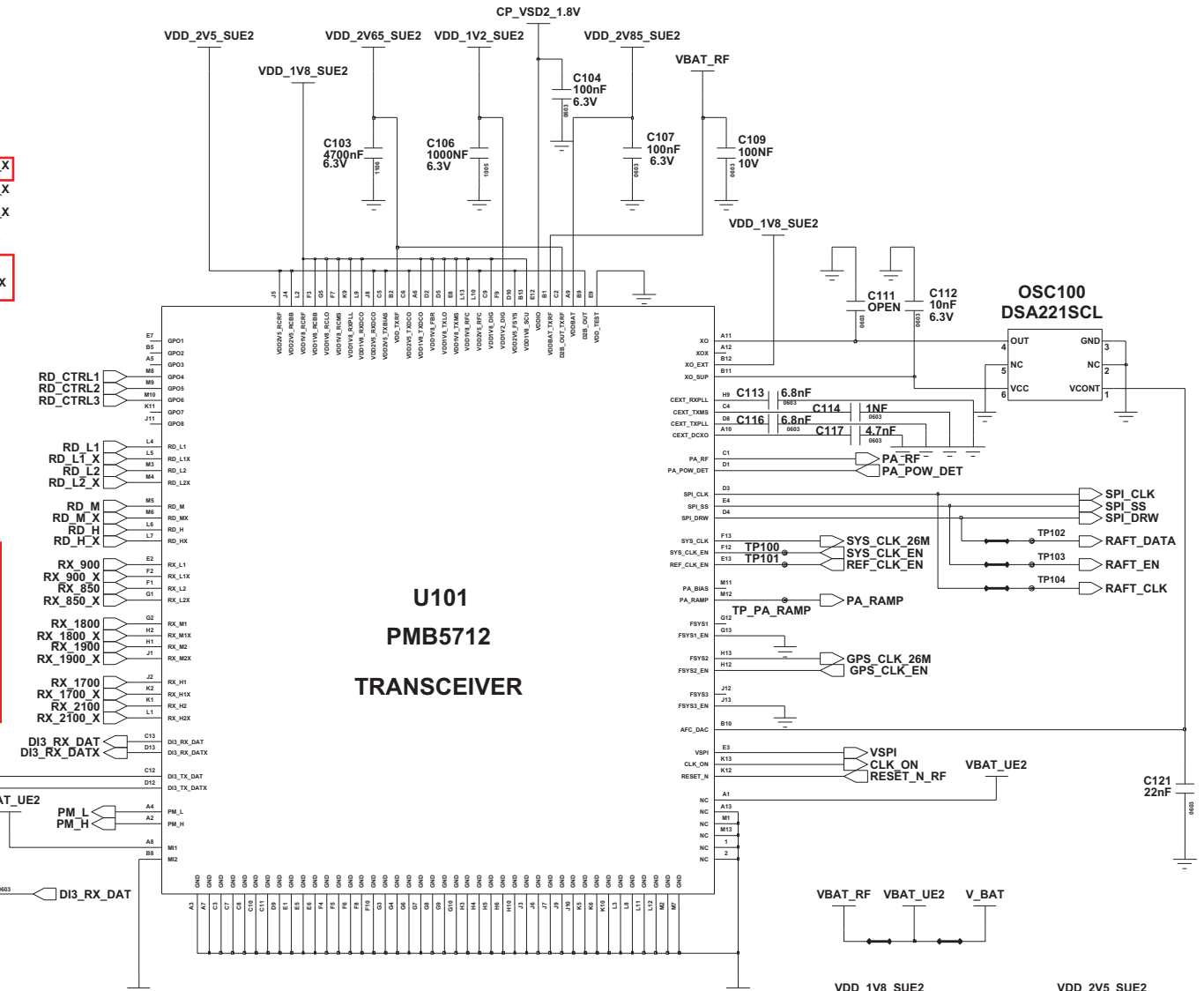


SAMSUNG CONFIDENTIAL
 THIS DOCUMENT CONTAINS CONFIDENTIAL
 PROPRIETARY INFORMATION THAT IS
 SAMSUNG ELECTRONICS CO.'S PROPERTY.
 DO NOT DISCLOSE TO OR DUPLICATE FOR OTHERS
 EXCEPT AS AUTHORIZED BY SAMSUNG.

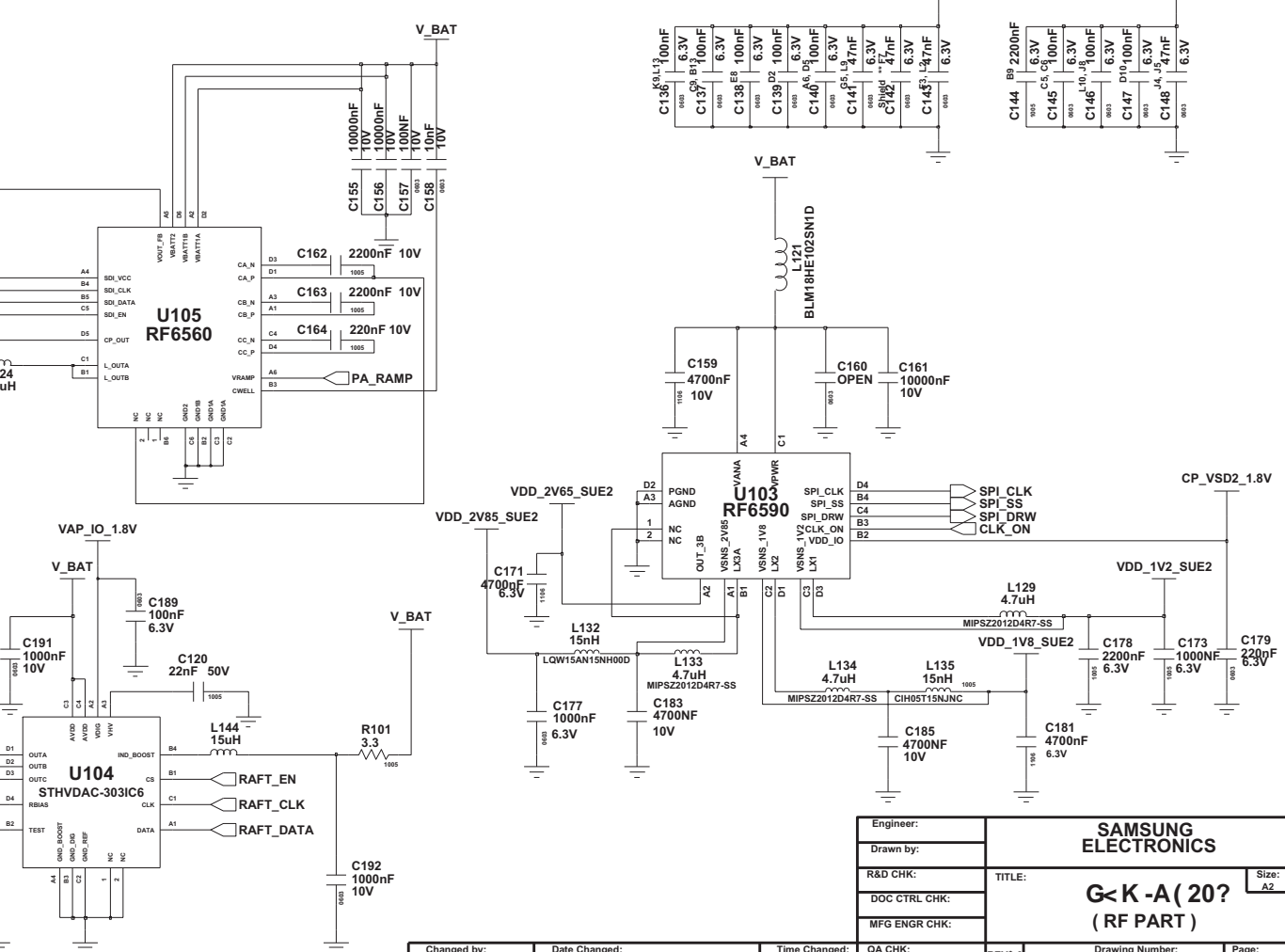
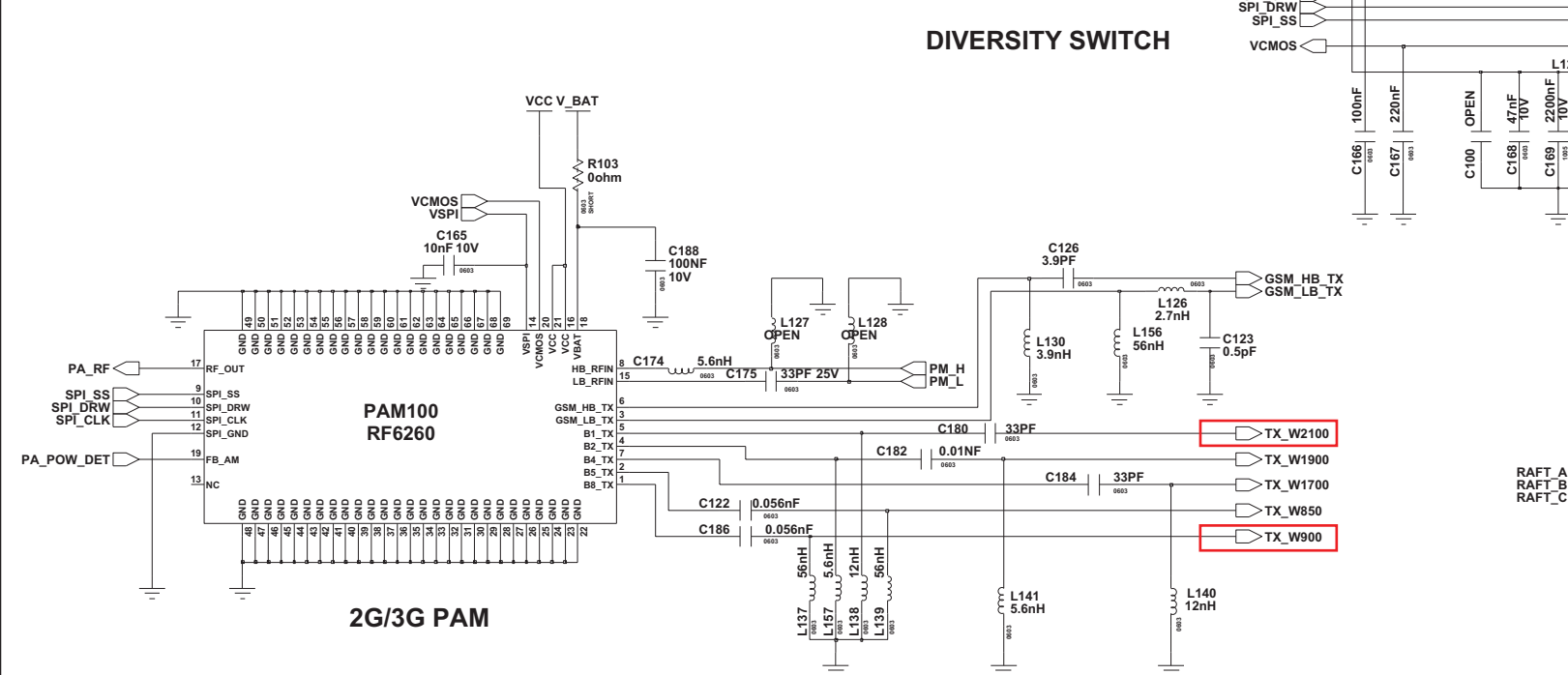
RF(GSM-Quad/WCDMA B1/2/4/5/8)



**TX_2100, TX_900,
 ANT_900, ANT_1800,
 ANT_2100, RX_2100,
 RX_900, RX_1800
 is not available in the US**

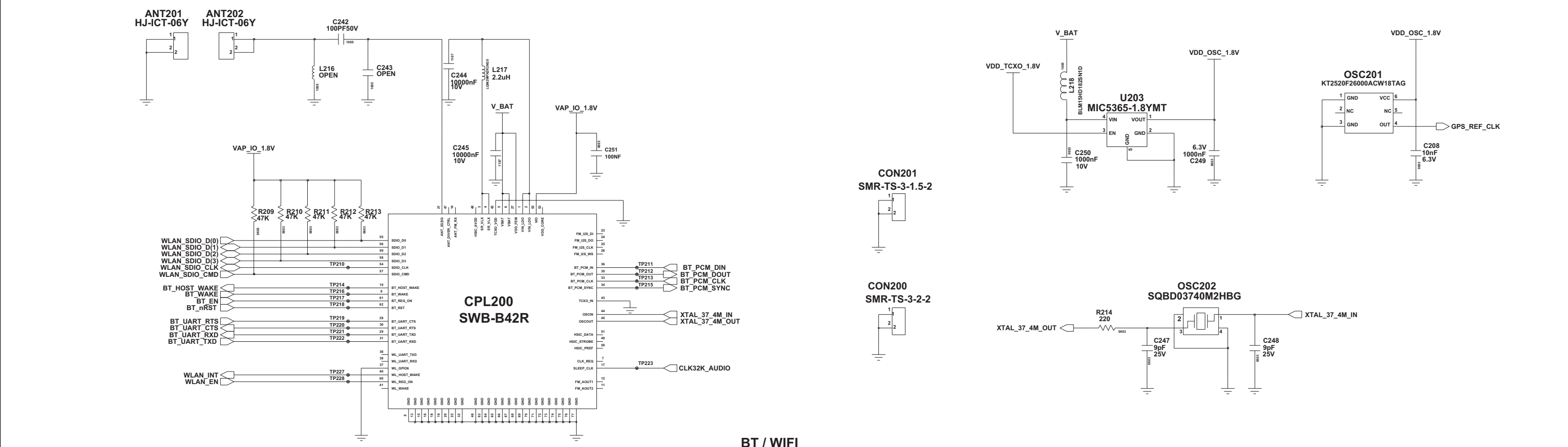
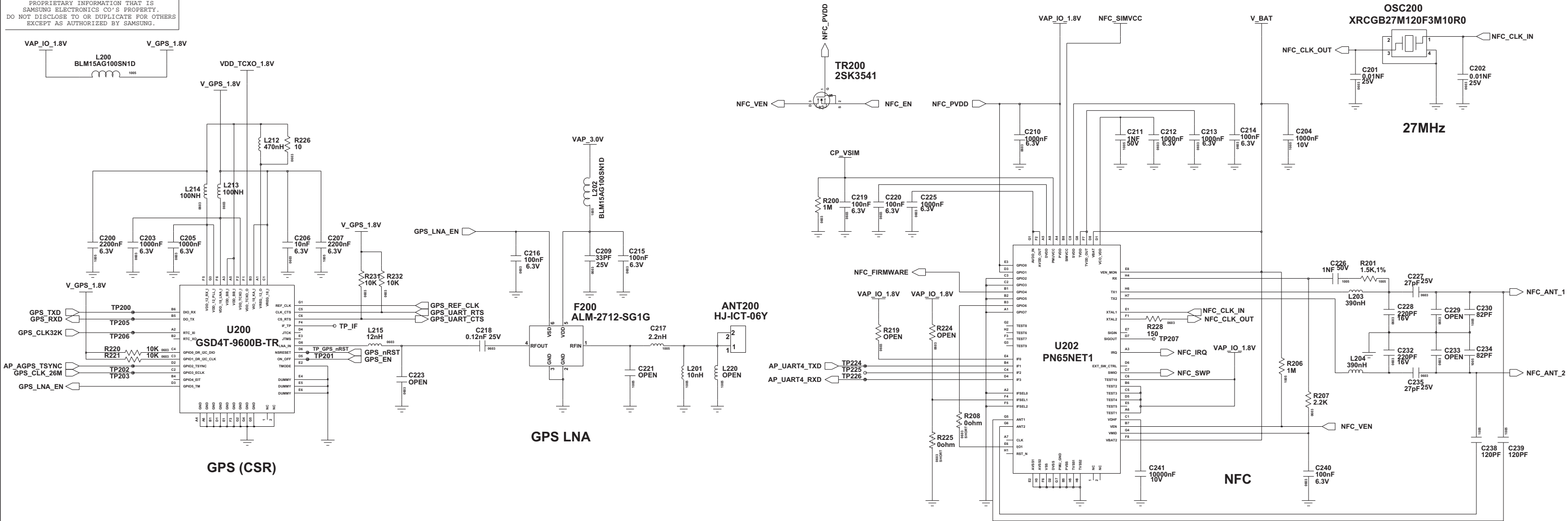


DIVERSITY SWITCH



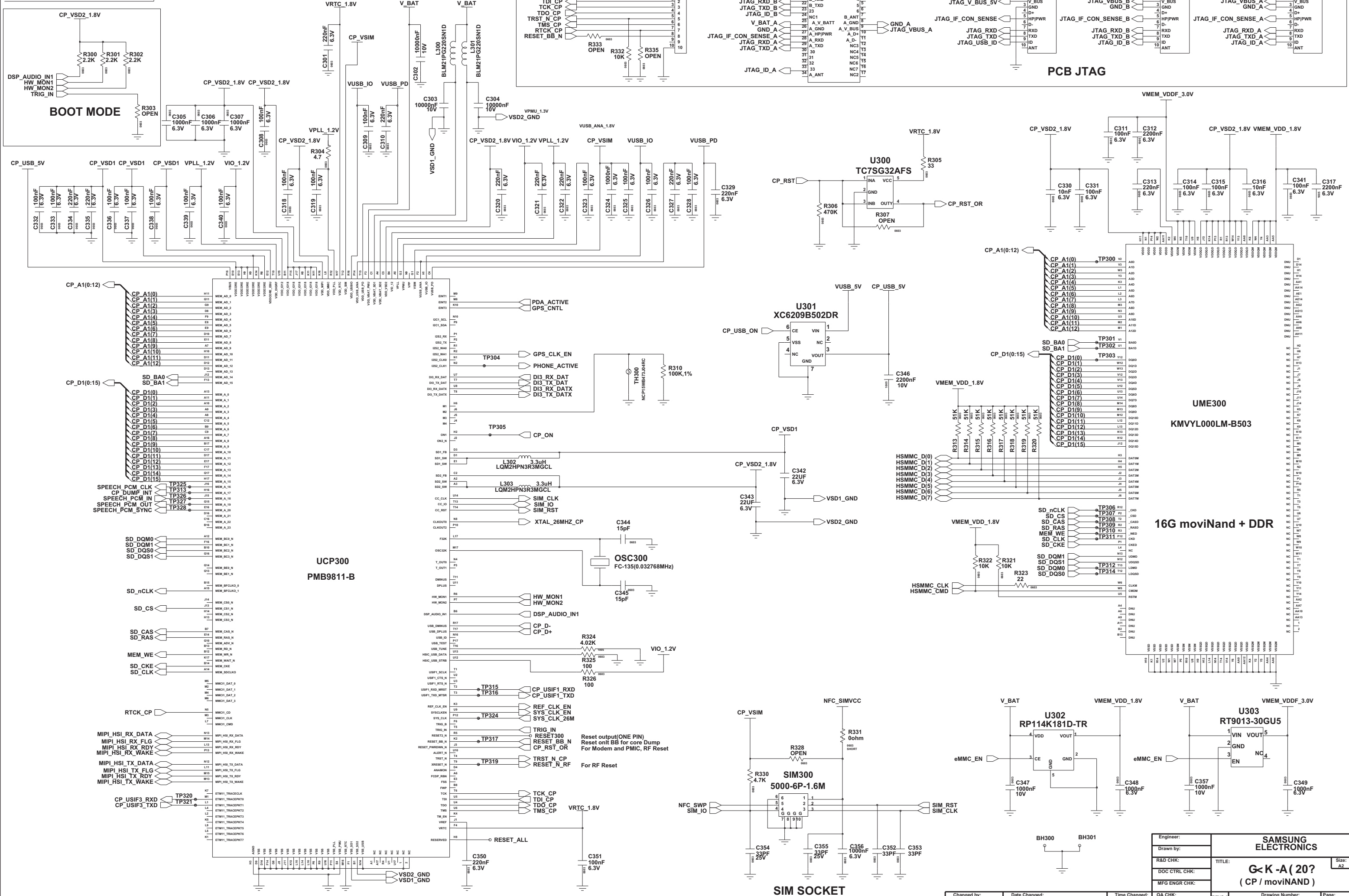
| | | | |
|---------------|----------------------------|---------------|-------------|
| Engineer: | SAMSUNG ELECTRONICS | | |
| Drawn by: | G< K - A (20?) | | |
| R&D CHK: | (RF PART) | | |
| DOC CTRL CHK: | Size: A2 | | |
| MFG ENGR CHK: | Title: | | |
| QA CHK: | Changed by: | Date Changed: | 2011. 8. 13 |
| REVS.: | Time Changed: | Page: 1 of 8 | |

SAMSUNG CONFIDENTIAL
 THIS DOCUMENT CONTAINS CONFIDENTIAL
 PROPRIETARY INFORMATION THAT IS
 SAMSUNG ELECTRONICS CO.'S PROPERTY.
 DO NOT DISCLOSE TO OR DUPLICATE FOR OTHERS
 EXCEPT AS AUTHORIZED BY SAMSUNG.

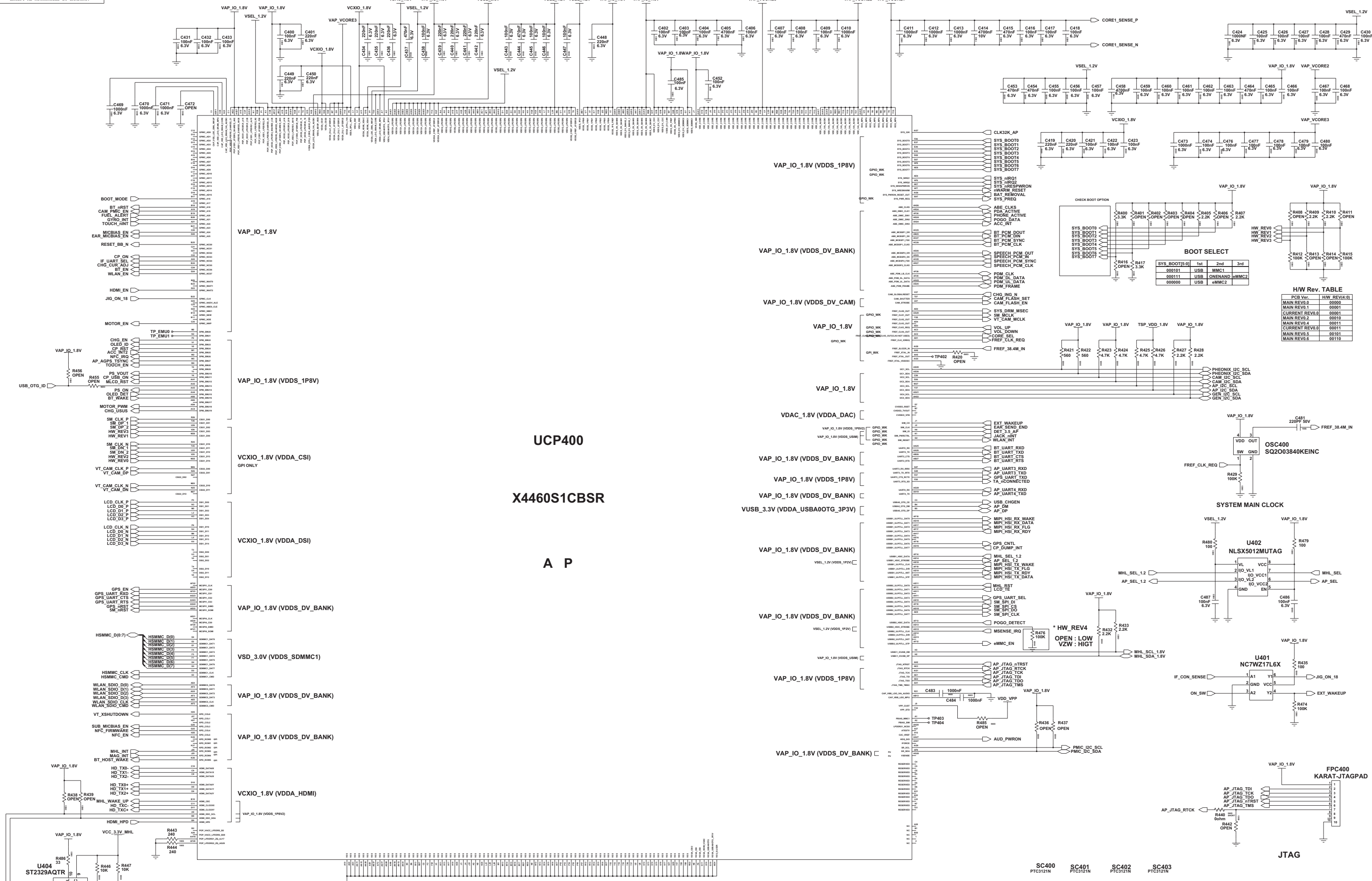


| | | | |
|---------------|---------------------|----------|-----------------|
| Engineer: | SAMSUNG ELECTRONICS | | |
| Drawn by: | G < K - A (20?) | | |
| R&D CHK: | TITLE: | Size: A2 | |
| DOC CTRL CHK: | (GPS, BT/WIFI, NFC) | | |
| MFG ENGR CHK: | QA CHK: | REVS. & | Drawing Number: |

SAMSUNG CONFIDENTIAL
 THIS DOCUMENT CONTAINS CONFIDENTIAL
 PROPRIETARY INFORMATION THAT IS
 SAMSUNG ELECTRONICS CO.'S PROPERTY.
 DO NOT DISCLOSE TO OR DUPLICATE FOR OTHERS
 EXCEPT AS AUTHORIZED BY SAMSUNG.



| | | |
|---------------|---------------------|---------------|
| Engineer: | SAMSUNG ELECTRONICS | |
| Drawn by: | G < K - A (20?) | |
| R&D CHK: | TITLE: | Size: A2 |
| DOC CTRL CHK: | (CP / moviNAND) | |
| MFG ENGR CHK: | QA CHK: | Page: 3 of 86 |



UCP400

X4460S1CBSR

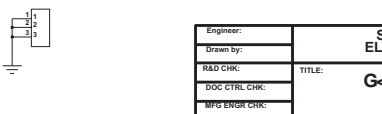
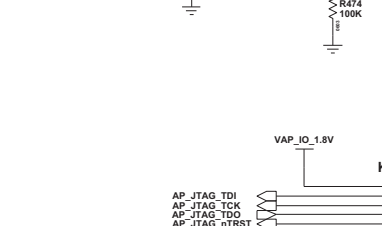
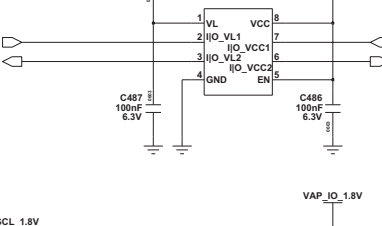
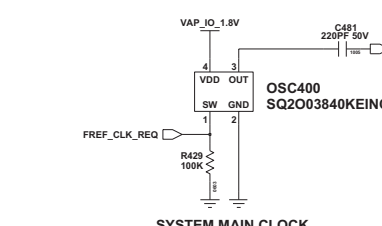
A P

BOOT SELECT

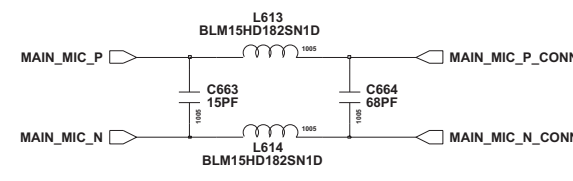
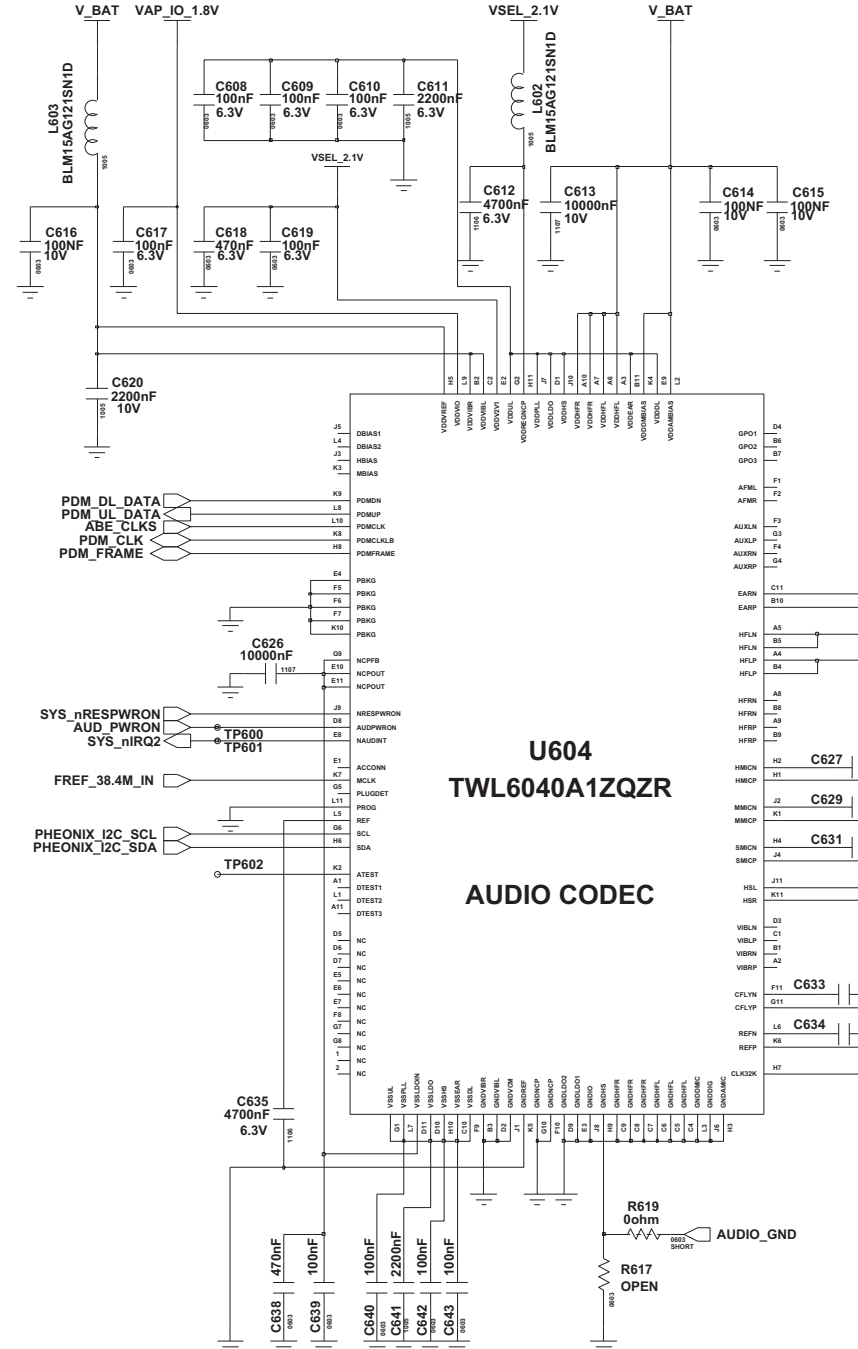
| SYS_BOOT(S-G) | 1st | 2nd | 3rd |
|---------------|-----|---------|------|
| 000101 | USB | MMC1 | |
| 000111 | USB | ONEMAND | MMC2 |
| 000000 | USB | MMC2 | |

H/W Rev. TABLE

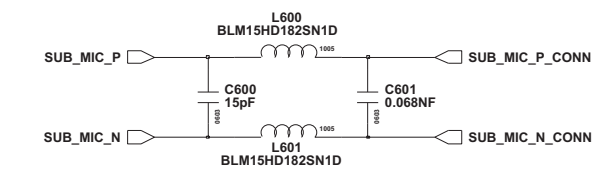
| PCB Ver. | H/W REV(4-9) |
|-----------------|--------------|
| MAIN REV.0 | 00000 |
| MAIN REV.1 | 00001 |
| CURRENT REV.0.0 | 00001 |
| MAIN REV.2 | 00010 |
| MAIN REV.4 | 00011 |
| CURRENT REV.0.0 | 00011 |
| MAIN REV.5 | 00101 |
| MAIN REV.6 | 00110 |



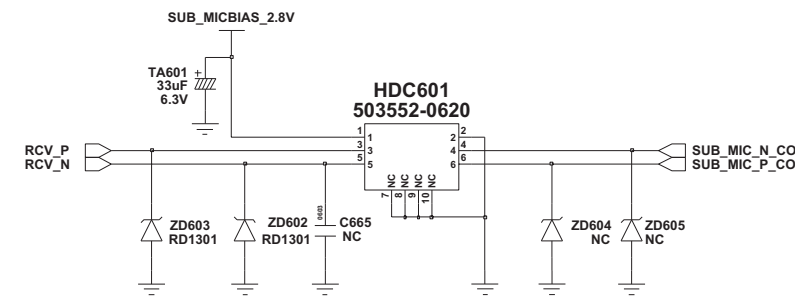
SAMSUNG CONFIDENTIAL
 THIS DOCUMENT CONTAINS CONFIDENTIAL
 PROPRIETARY INFORMATION THAT IS
 SAMSUNG ELECTRONICS CO.'S PROPERTY.
 DO NOT DISCLOSE TO OR DUPLICATE FOR OTHERS
 EXCEPT AS AUTHORIZED BY SAMSUNG.



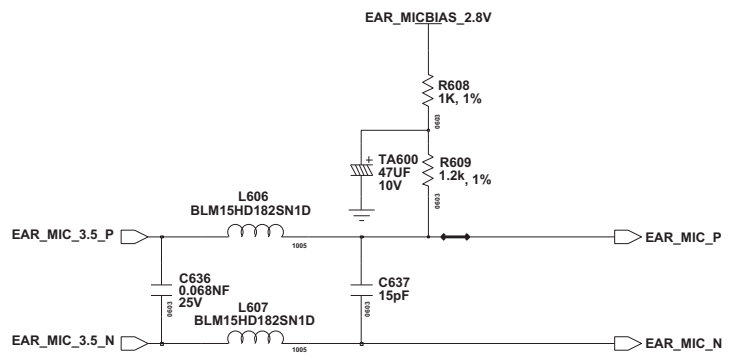
MAIN MIC PATH(MEMS)



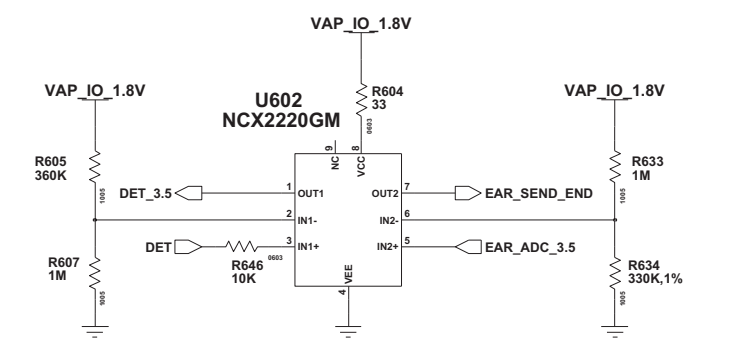
SUB MIC (MEMS)



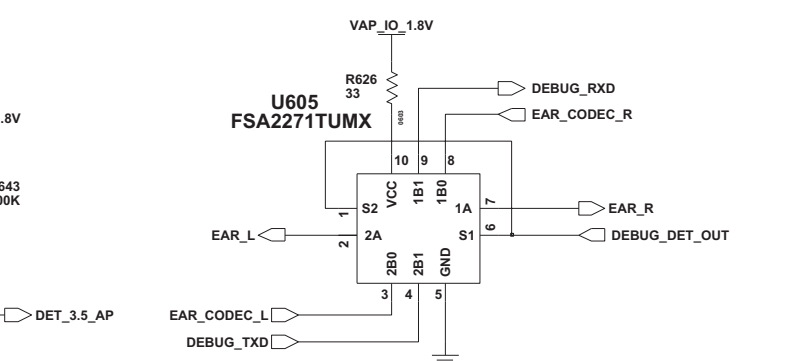
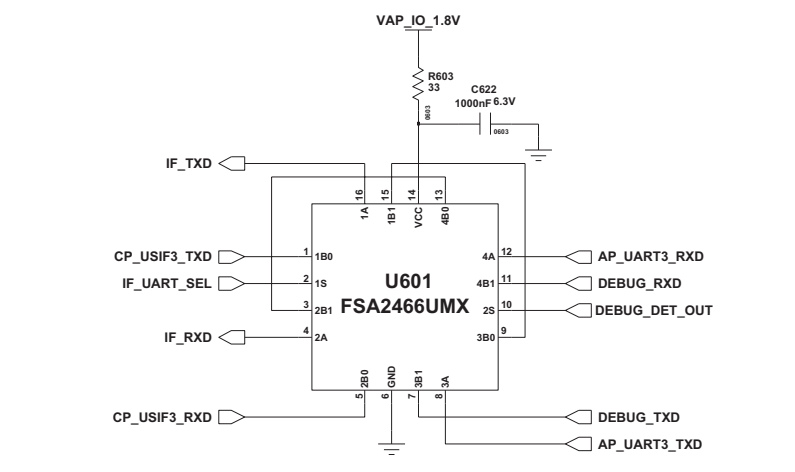
RCV_SUB MIC CON



Ear MIC PATH

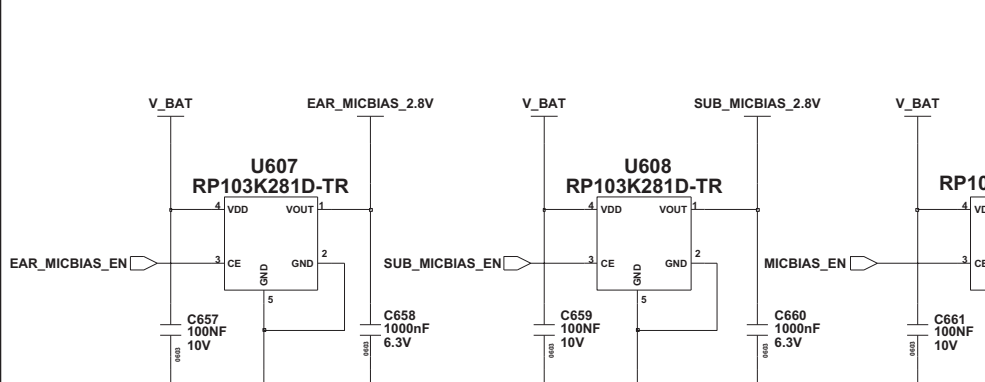
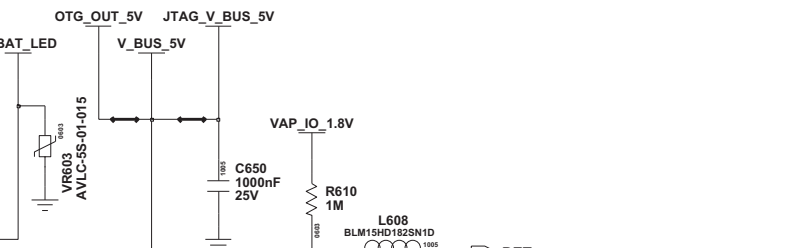
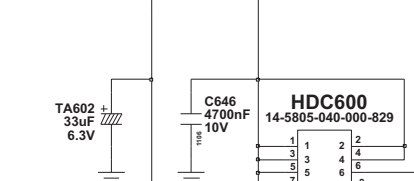
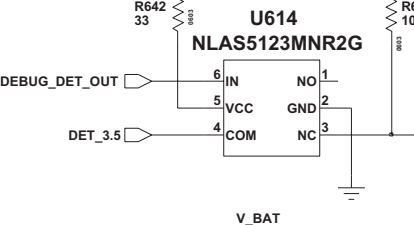
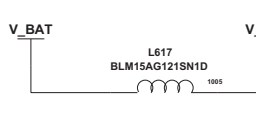
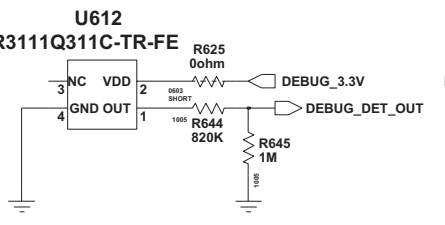


Comparator

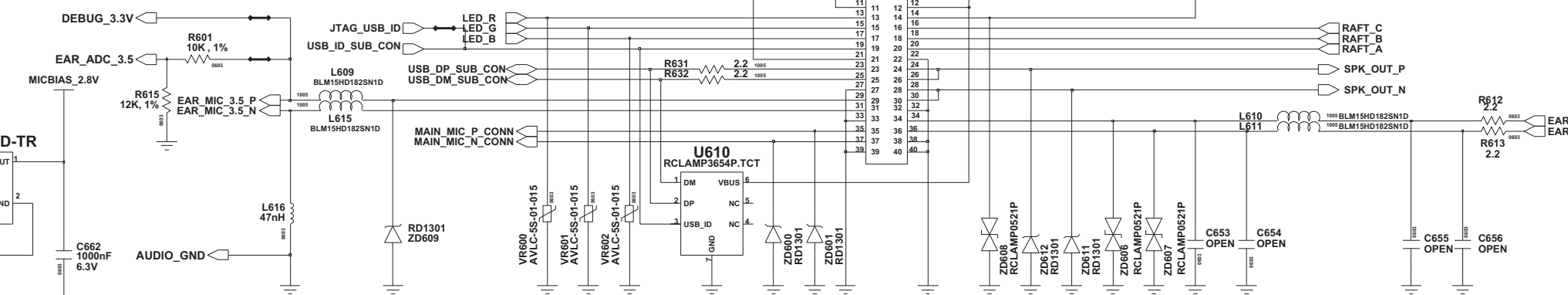


**U604
TWL6040A1ZQZR**

AUDIO CODEC



MIC BIAS CIRCUIT

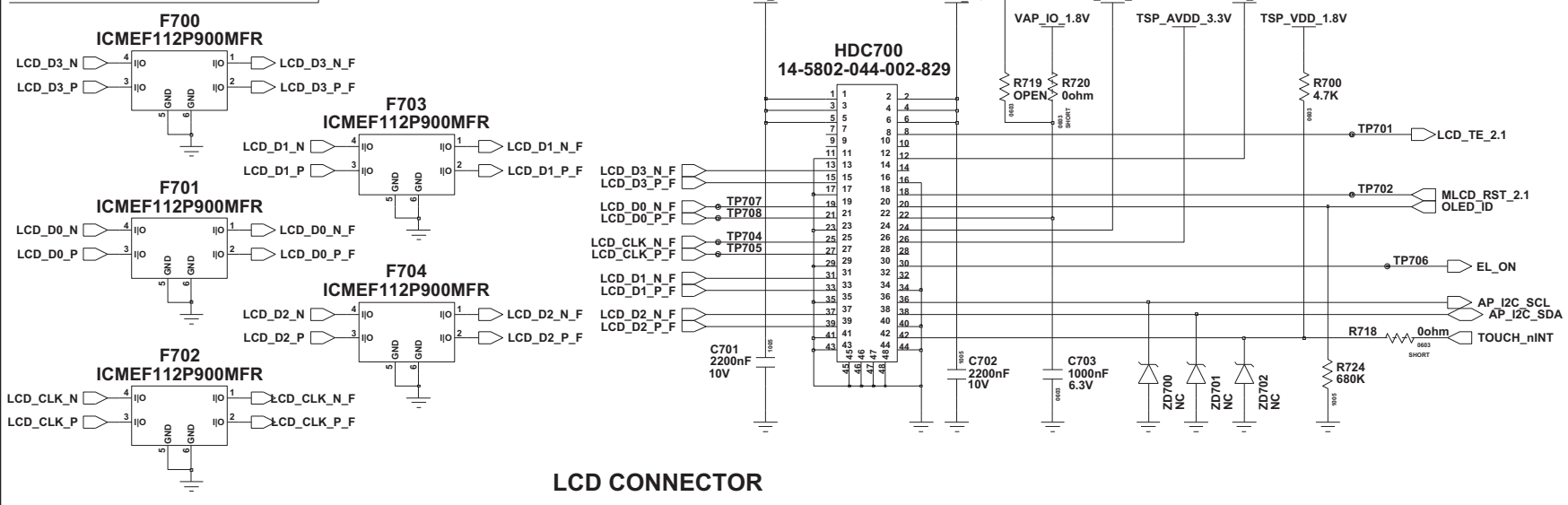


SUB PCB Con.

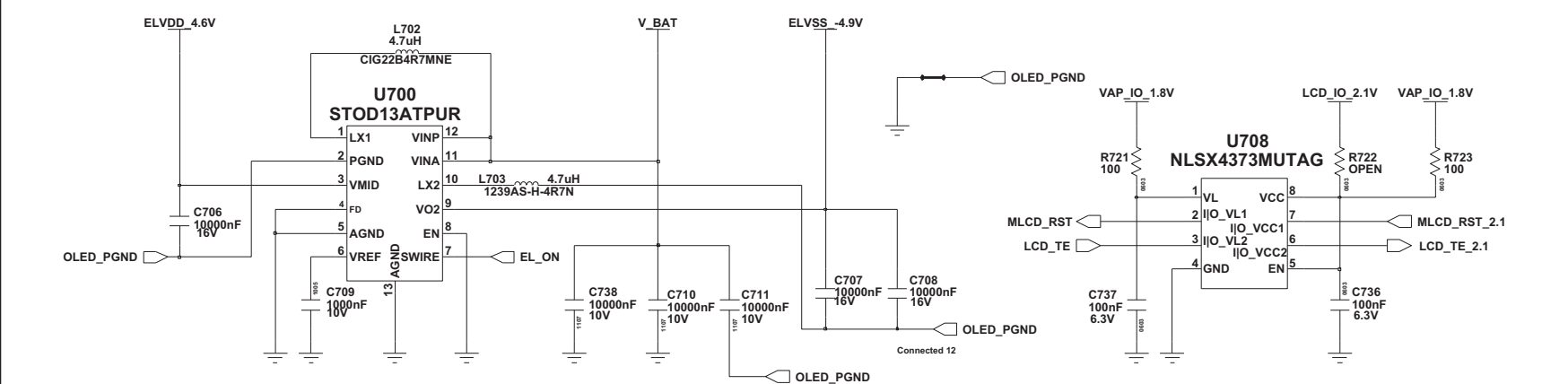
(SPK, micro-USB, EAR JACK, Main MIC, Notification LED, RAFT)

| | | | |
|-------------|---------------------------|---------------|-------------------------|
| Engineer: | SAMSUNG ELECTRONICS | | |
| Drawn by: | TITLE: G-K-A (20? (AUDIO) | | |
| R&D CHK: | DOC CTRL CHK: | MFG ENGR CHK: | QA CHK: |
| Changed by: | Date Changed: | Time Changed: | REVS. & Drawing Number: |
| | | 2011. 8. 13 | Page: 6 of 8 |

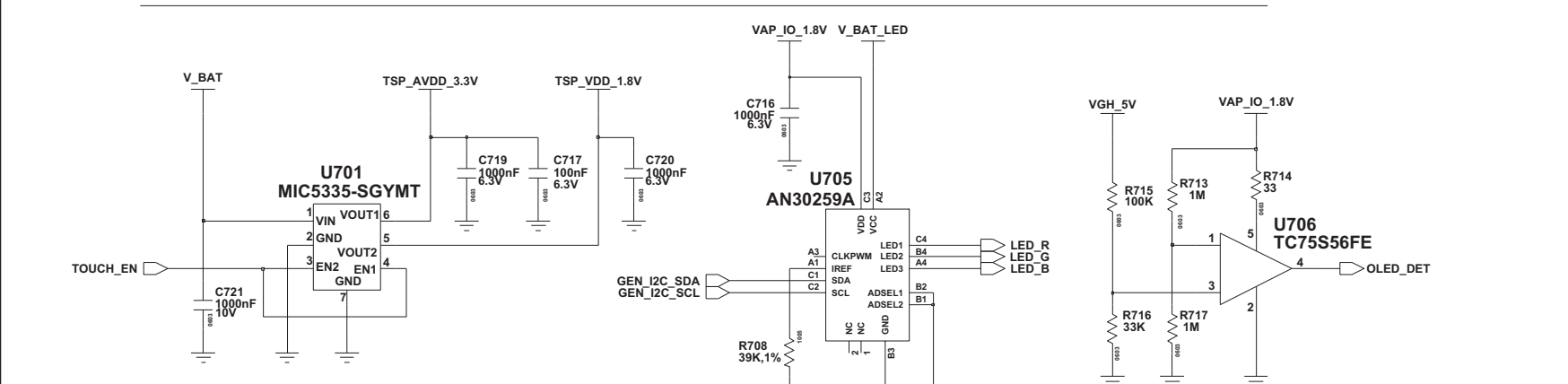
SAMSUNG CONFIDENTIAL
 THIS DOCUMENT CONTAINS CONFIDENTIAL
 PROPRIETARY INFORMATION THAT IS
 SAMSUNG ELECTRONICS CO.'S PROPERTY.
 DO NOT DISCLOSE TO OR DUPLICATE FOR OTHERS
 EXCEPT AS AUTHORIZED BY SAMSUNG.



LCD CONNECTOR

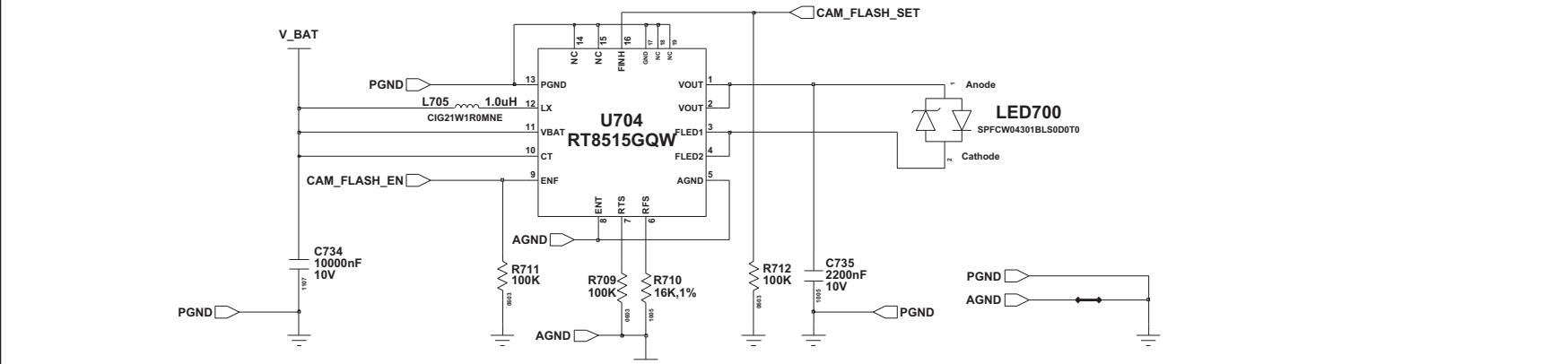


LCD DCDC

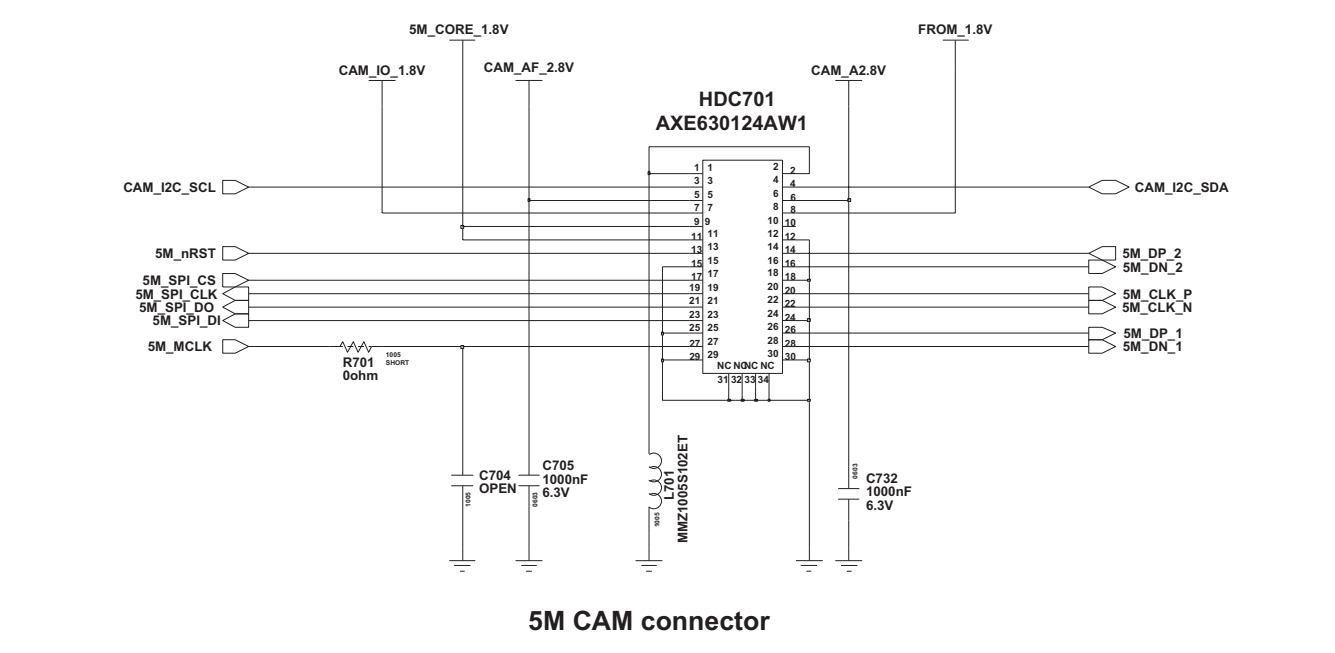


MAIN TSP LDO

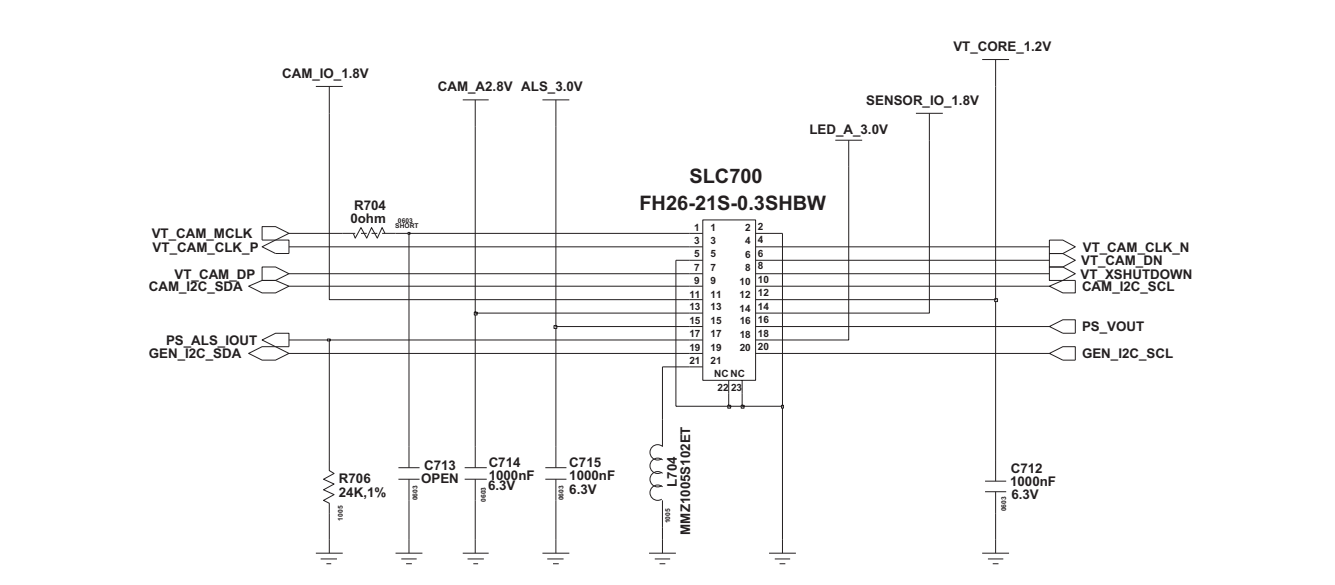
Light-Guide LED Driver



CAMERA FLASH



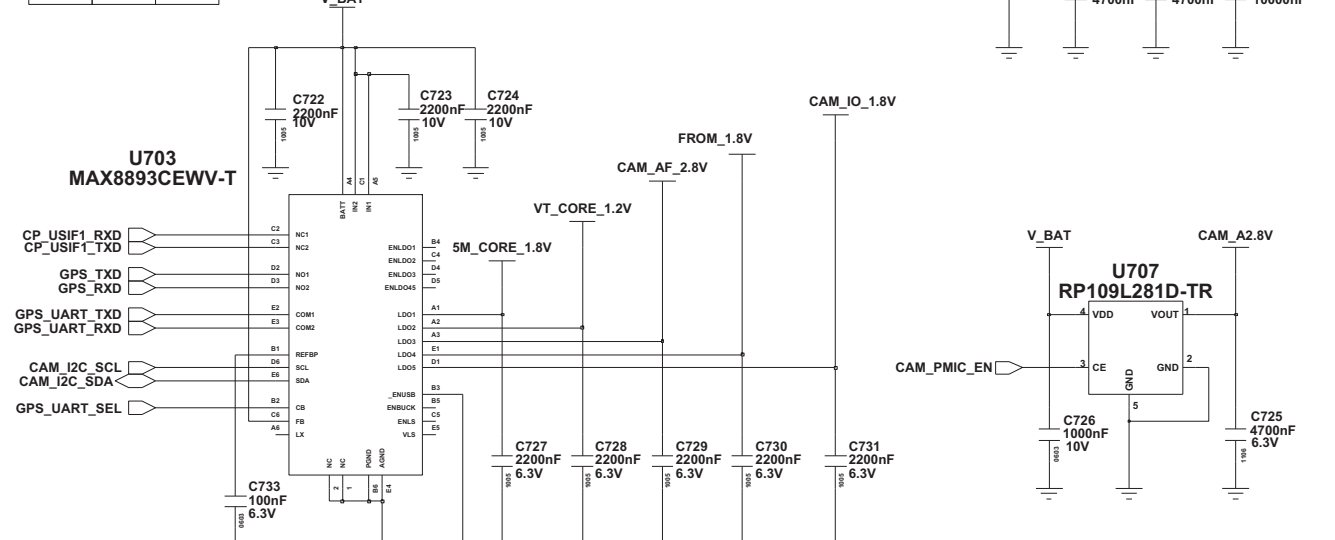
5M CAM connector



VT CAM connector (1.3M) + Prox.Sensor

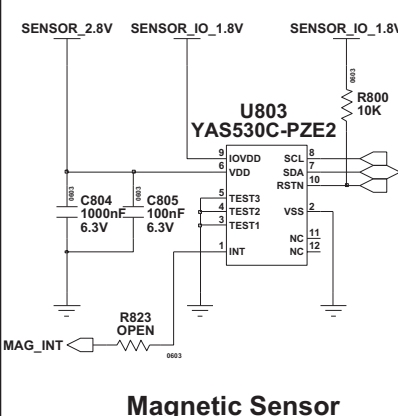
CAMERA POWER

| | | |
|-----|----|----|
| CB | L | H |
| COM | NC | NO |

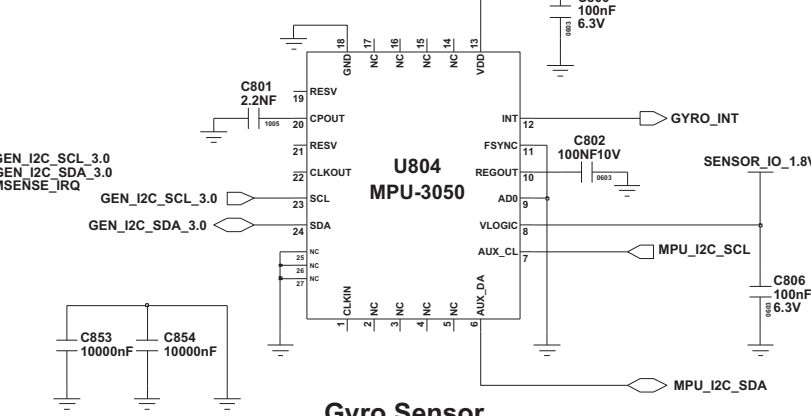


| | | |
|---------------|------------------------------------------|------------------------|
| Engineer: | SAMSUNG ELECTRONICS | |
| Drawn by: | TITLE: G-K-A(20?) Size: A2 | |
| R&D CHK: | MFG ENGR CHK: | |
| DOC CTRL CHK: | QA CHK: | |
| Changed by: | Date Changed: | 2011. 8. 13 |
| Time Changed: | REV5.6 | Drawing Number: 7 of 8 |

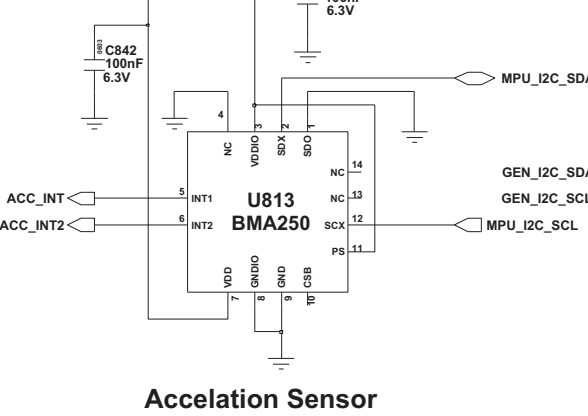
SAMSUNG CONFIDENTIAL
 THIS DOCUMENT CONTAINS CONFIDENTIAL
 PROPRIETARY INFORMATION THAT IS
 SAMSUNG ELECTRONICS CO.'S PROPERTY.
 DO NOT DISCLOSE TO OR DUPLICATE FOR OTHERS
 EXCEPT AS AUTHORIZED BY SAMSUNG.



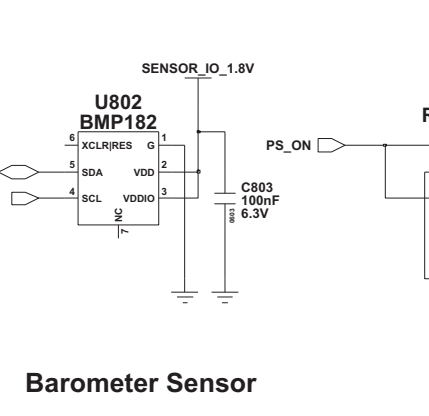
Magnetic Sensor



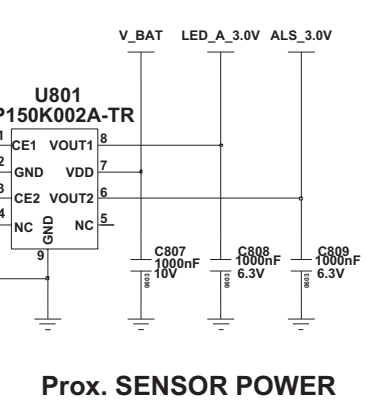
Gyro Sensor



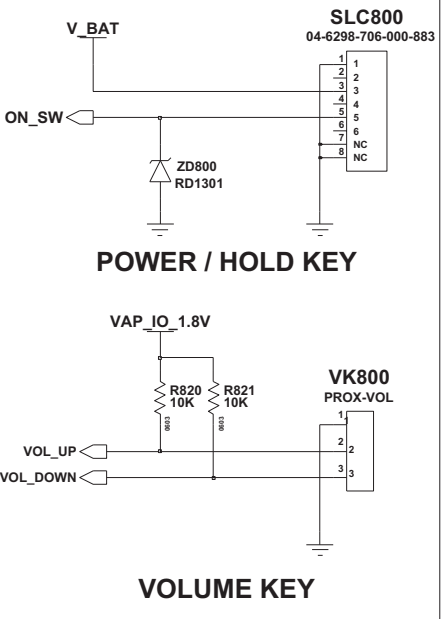
Acceleration Sensor



Barometer Sensor

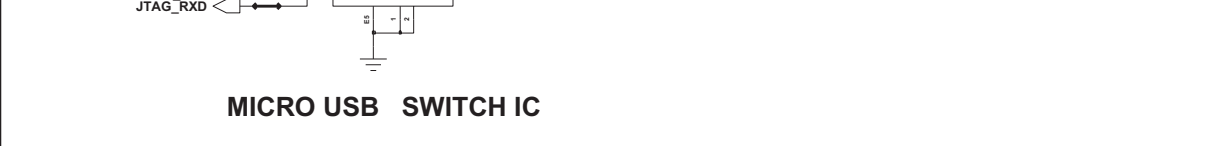
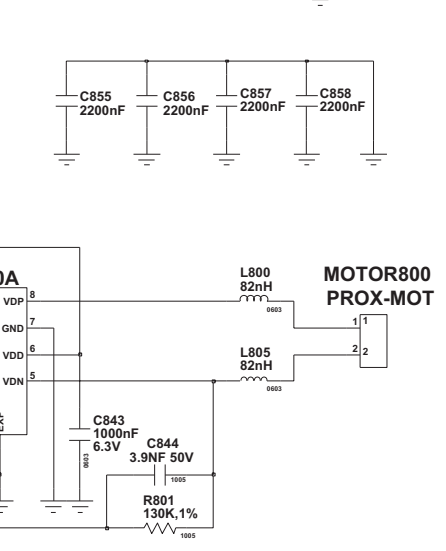
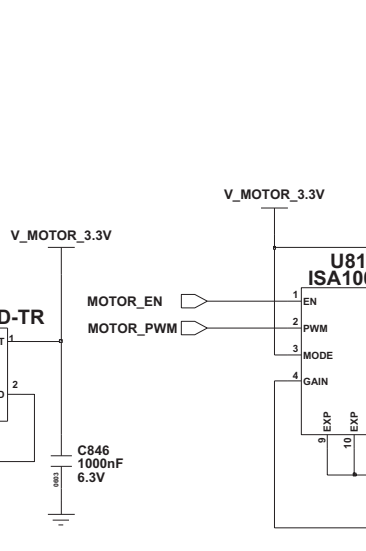
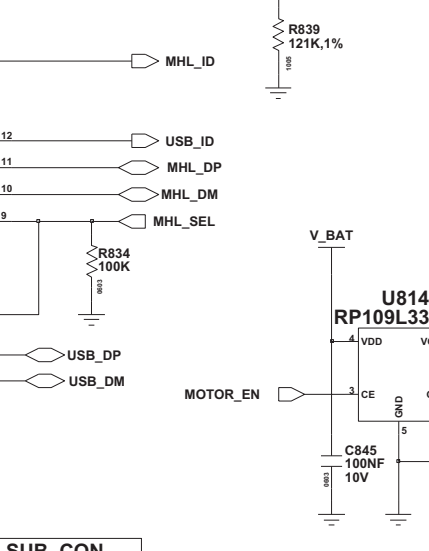
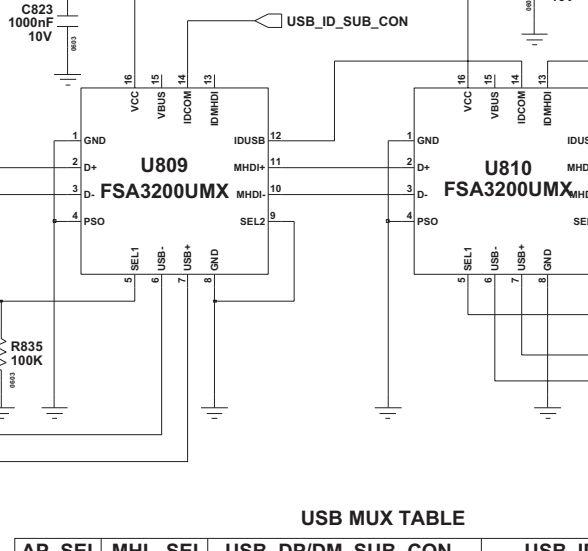
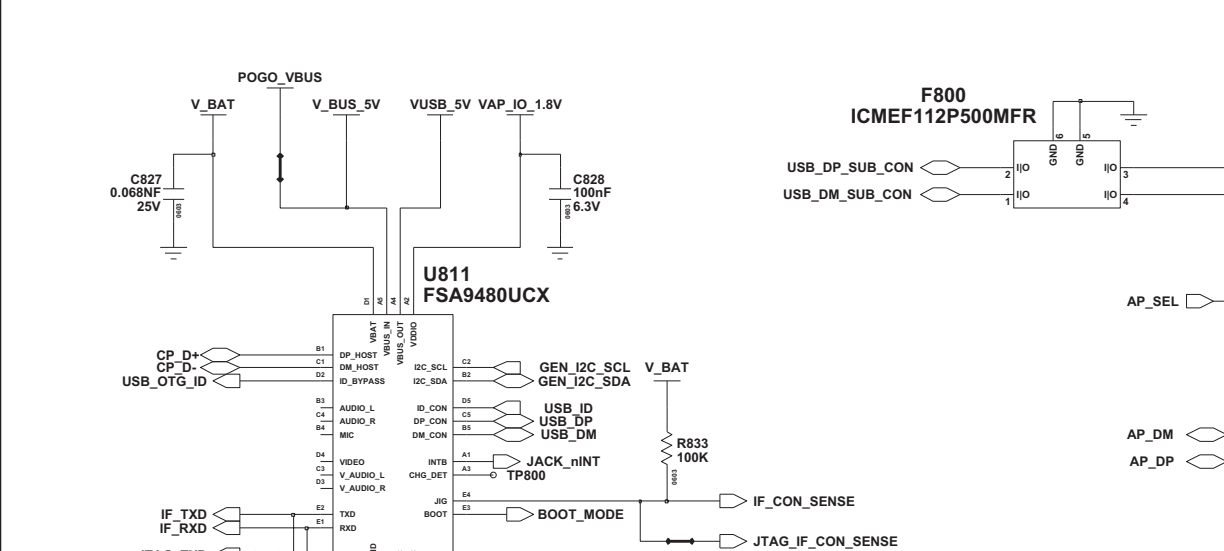
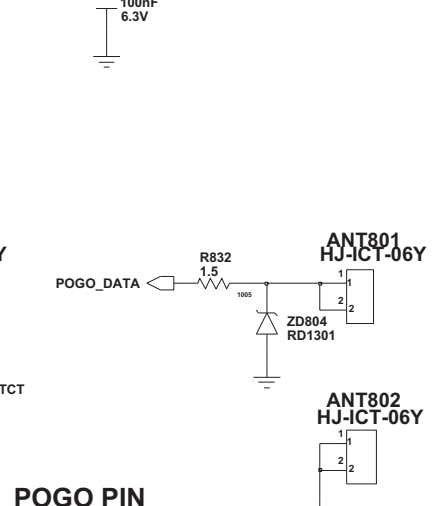
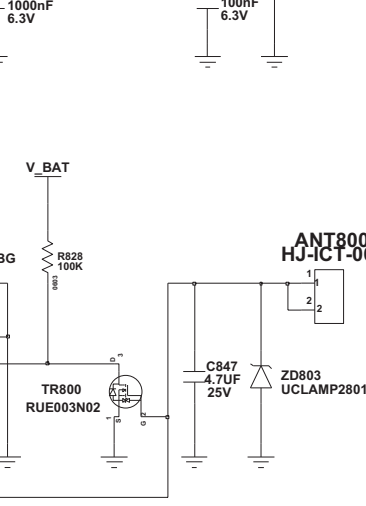
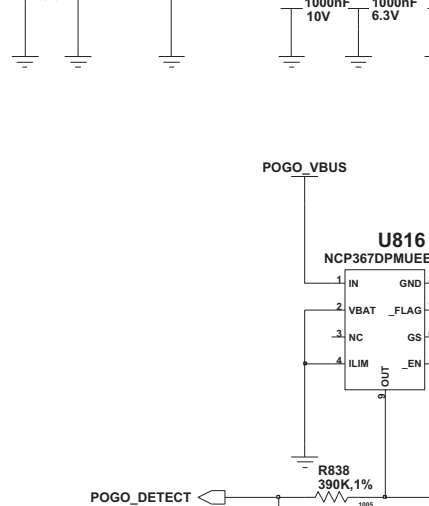
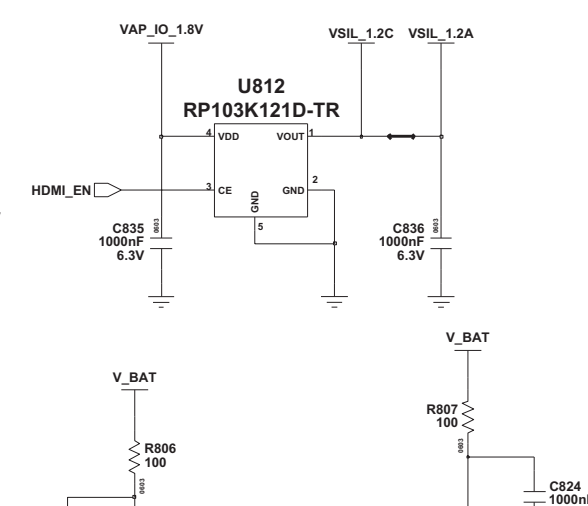
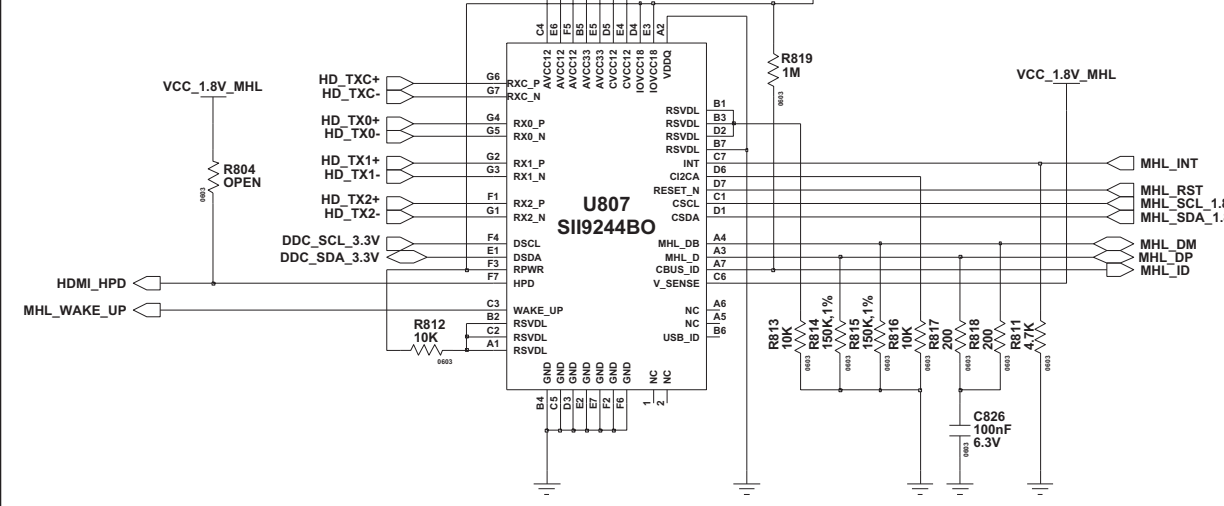
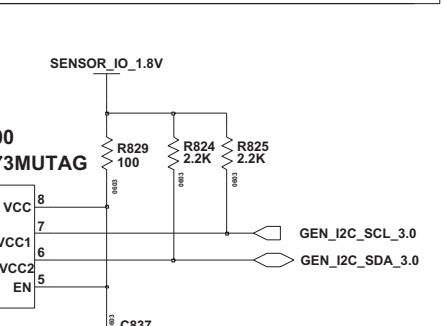
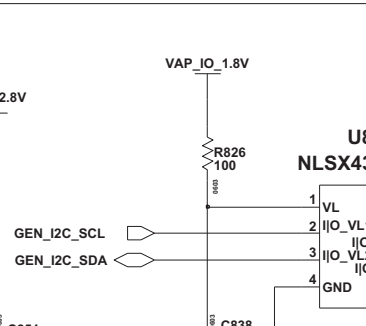
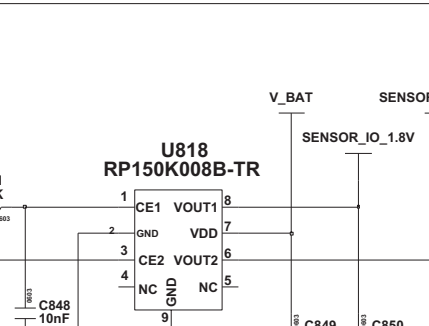
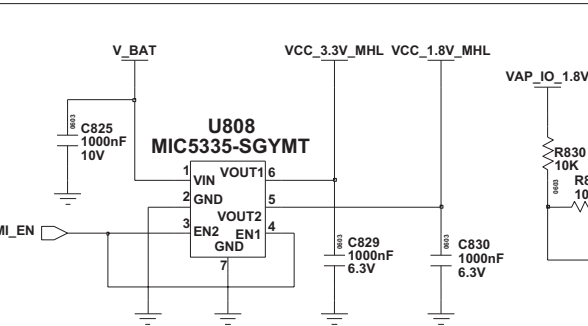
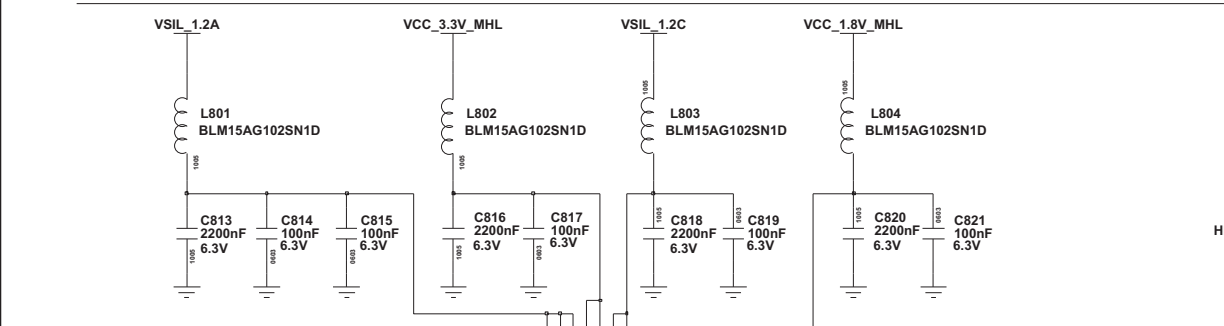


Prox. SENSOR POWER



POWER / HOLD KEY

VOLUME KEY



MICRO USB SWITCH IC

USB MUX TABLE

| AP_SEL | MHL_SEL | USB_DP/DM_SUB_CON | USB_ID_SUB_CON |
|--------|---------|-------------------------|----------------------|
| 0 | 0 | AP_DP/DM (to. OMAP4460) | USB_ID (to. FAS9480) |
| 1 | 0 | USB_DP/DM (to. FAS9480) | USB_ID (to. FAS9 |

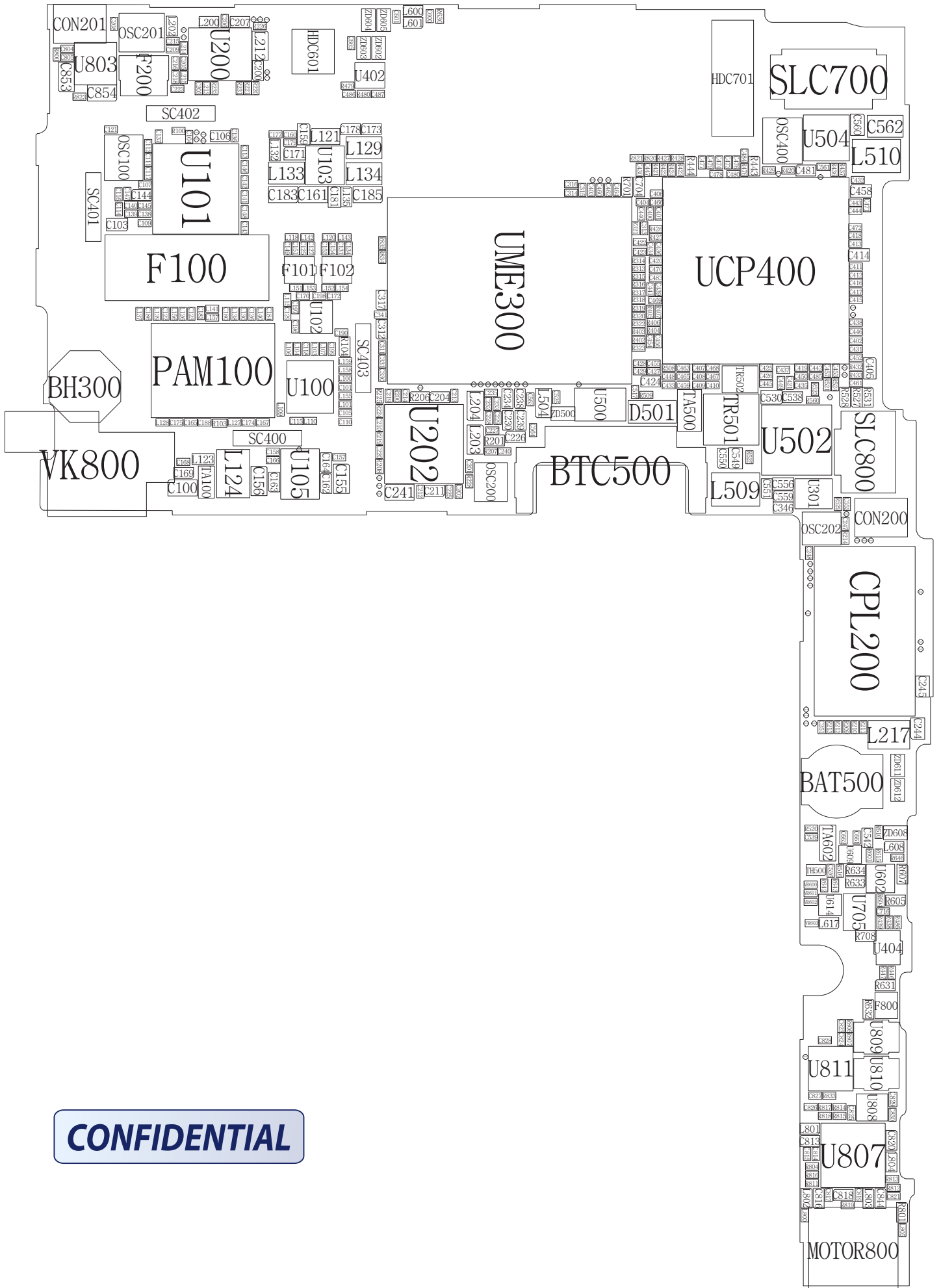
JTAG303

JTAG302

JTAG301

JTAG300

SHW-M420K REV0.2



CONFIDENTIAL

