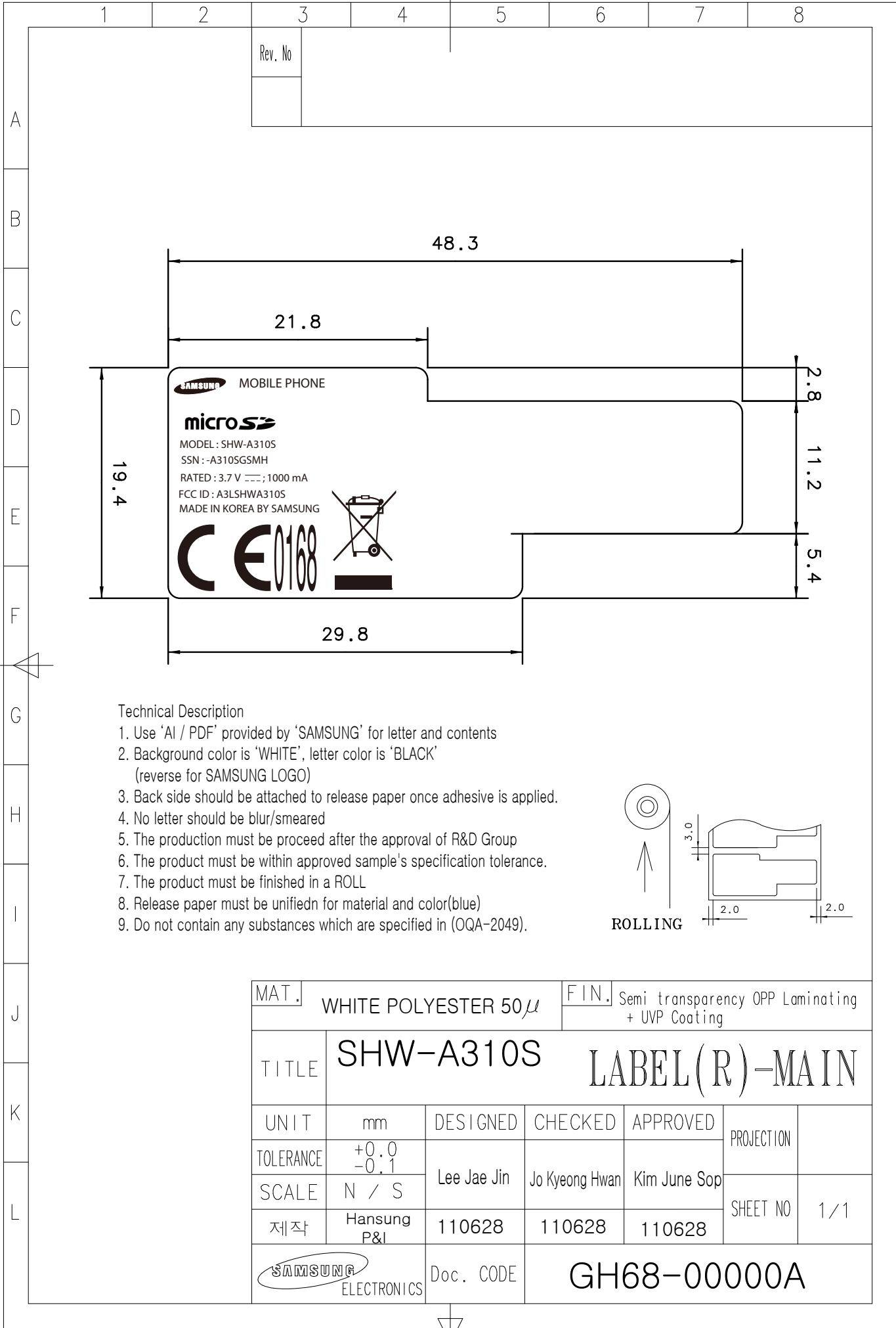
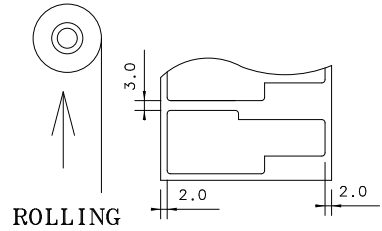


This drawing is property of SEC. Use or copy of this drawing without proper permission from the appropriate technical-document managing department is prohibited.

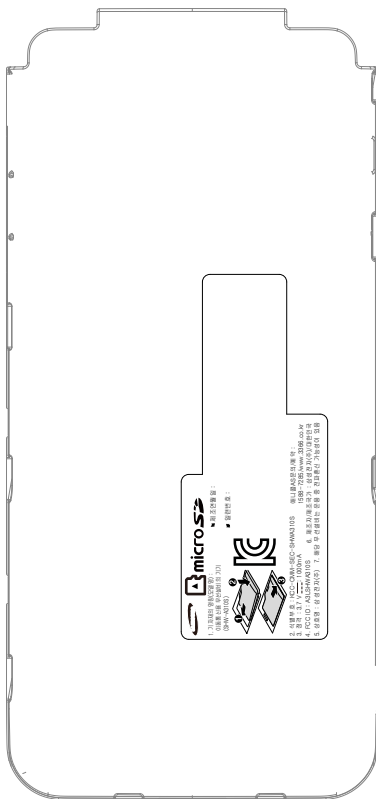


Technical Description

1. Use 'AI / PDF' provided by 'SAMSUNG' for letter and contents
2. Background color is 'WHITE', letter color is 'BLACK' (reverse for SAMSUNG LOGO)
3. Back side should be attached to release paper once adhesive is applied.
4. No letter should be blur/smeared
5. The production must be proceed after the approval of R&D Group
6. The product must be within approved sample's specification tolerance.
7. The product must be finished in a ROLL
8. Release paper must be unifiedn for material and color(blue)
9. Do not contain any substances which are specified in (OQA-2049).



MAT. WHITE POLYESTER 50 μ		FIN. Semi transparency OPP Laminating + UVP Coating			
TITLE SHW-A310S		LABEL (R)-MAIN			
UNIT	mm	DESIGNED	CHECKED	APPROVED	PROJECTION
TOLERANCE	+0.0 -0.1	Lee Jae Jin	Jo Kyeong Hwan	Kim June Sop	
SCALE	N / S				SHEET NO
제작	Hansung P&I	110628	110628	110628	1 / 1
SAMSUNG ELECTRONICS		Doc. CODE	GH68-00000A		



The label is placed inside the battery compartment