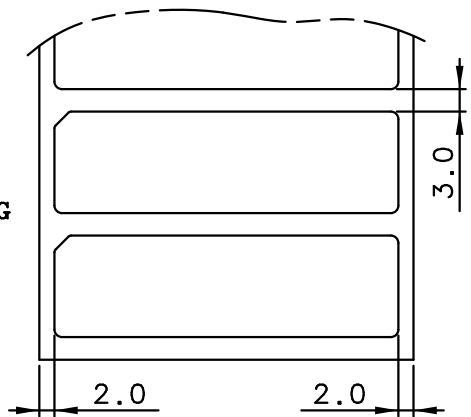


Technical Description

1. Use 'FILM' provided by 'SAMSUNG' for letter and contents
2. Background color is 'WHITE', letter color is 'BLACK'
(reverse for SAMSUNG LOGO)
3. Put 'release paper' on the back side after the adhesive.
4. No blur and spread for letter
5. Proceed with manufacturing process after the approval of R&D Group
6. The spec. of product must be based on approved limit samples.
7. Stock on as a ROLL
8. Follow drawing instruction above for CE or WEEE mark
9. Unify material and color as one color (blue) for glassine paper

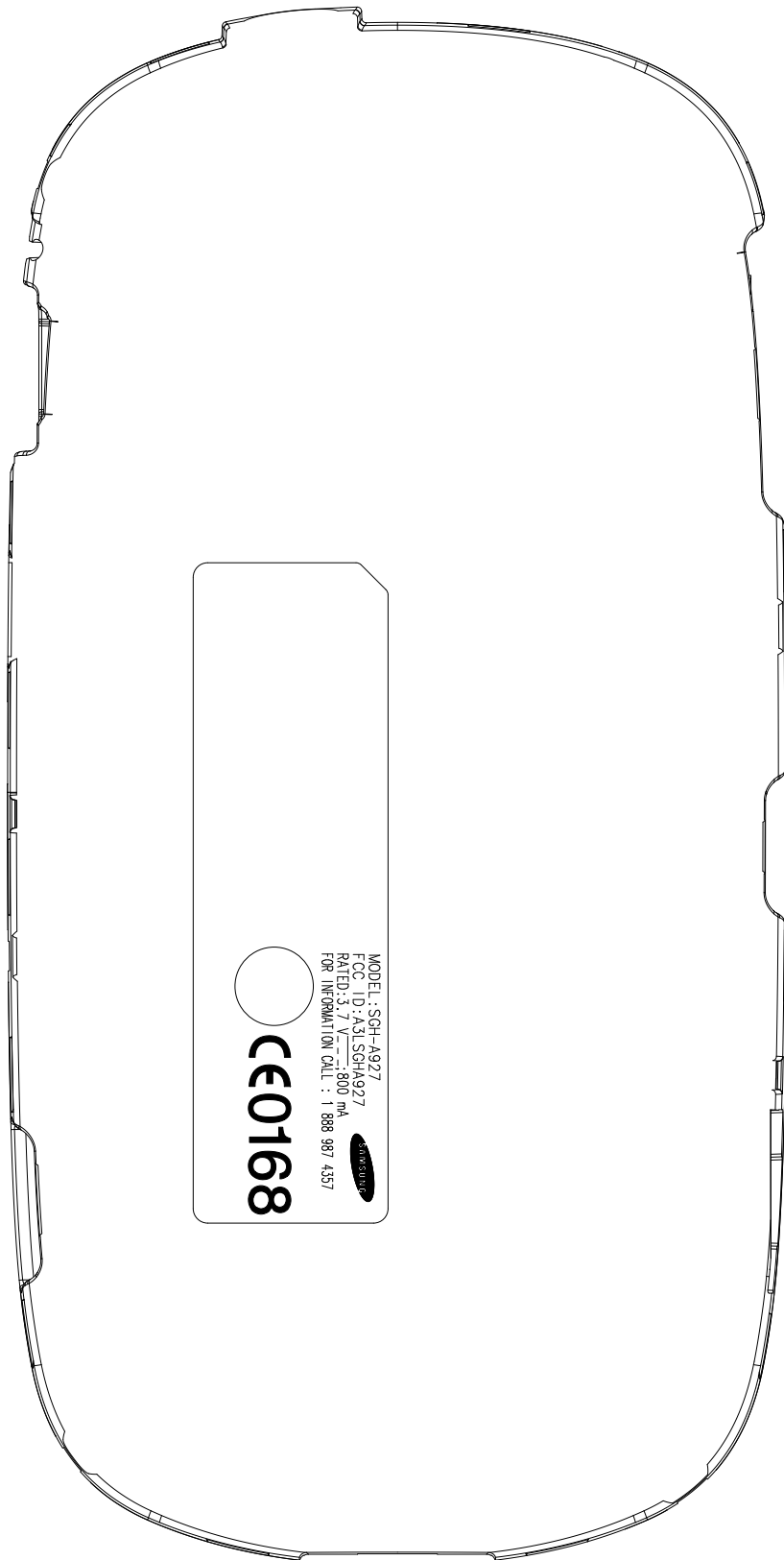


ROLLING



MAT.	White polypropylene 80 μ		FIN.	Semitransparency OPP Lamination + UVP Coating		
TITLE	SGH-A927 LABEL (R)-MAIN-AT&T					
UNIT	mm	DESIGNED	CHECKED	APPROVED	PROJECTION	
TOLERANCE	+0.0 -0.1	jukyun Kim	kyeonghwan jo	junesop kim		
SCALE	N/S				SHEET NO	1/1
Manufacture	HANSUNG P&I	10-03-22	10-03-22	10-03-22		
	Doc. CODE	GH68-00000A				

The label is placed inside the battery compartment



Note: The FCC ID label shown will be readily visible at the time of service.