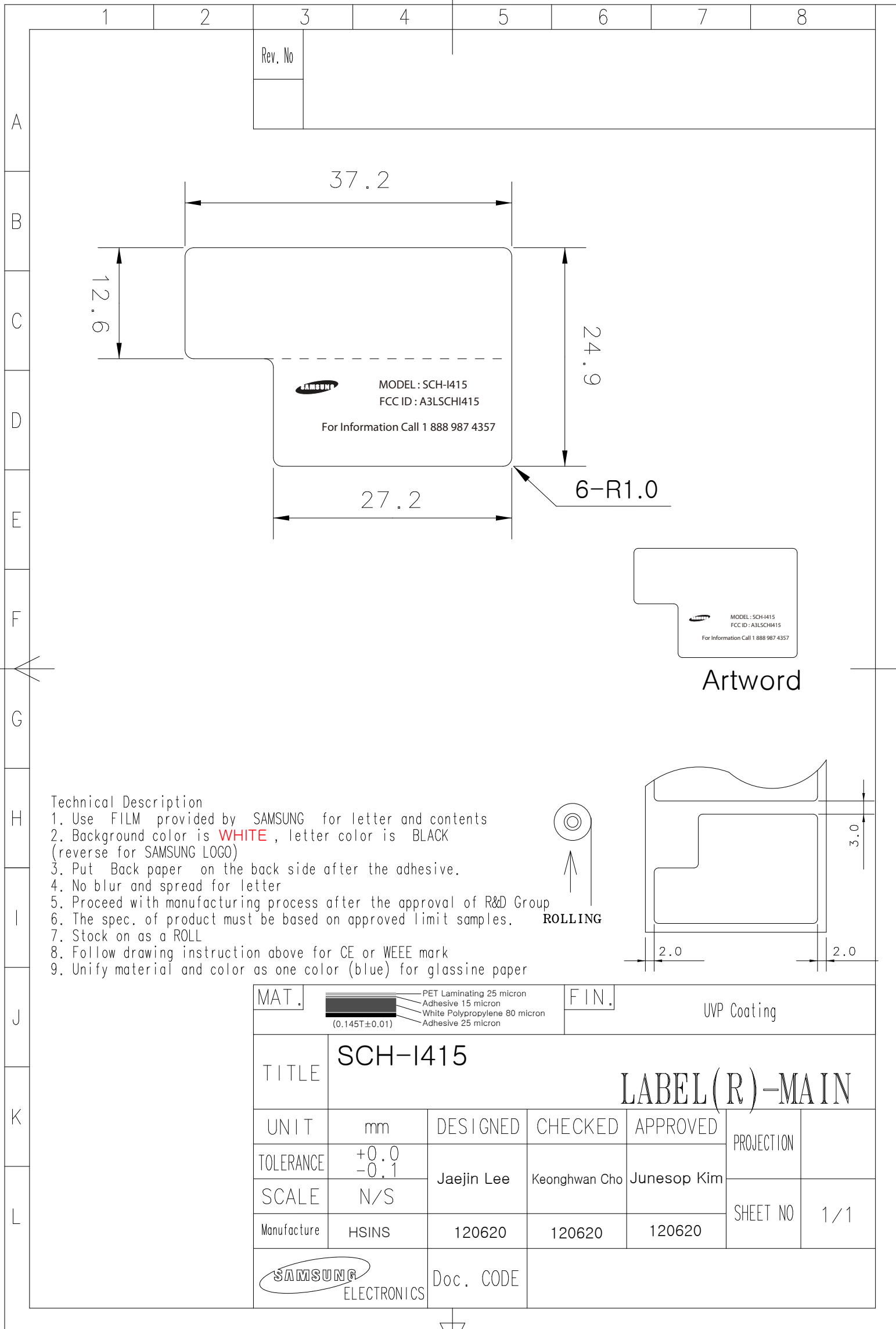
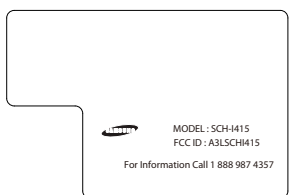
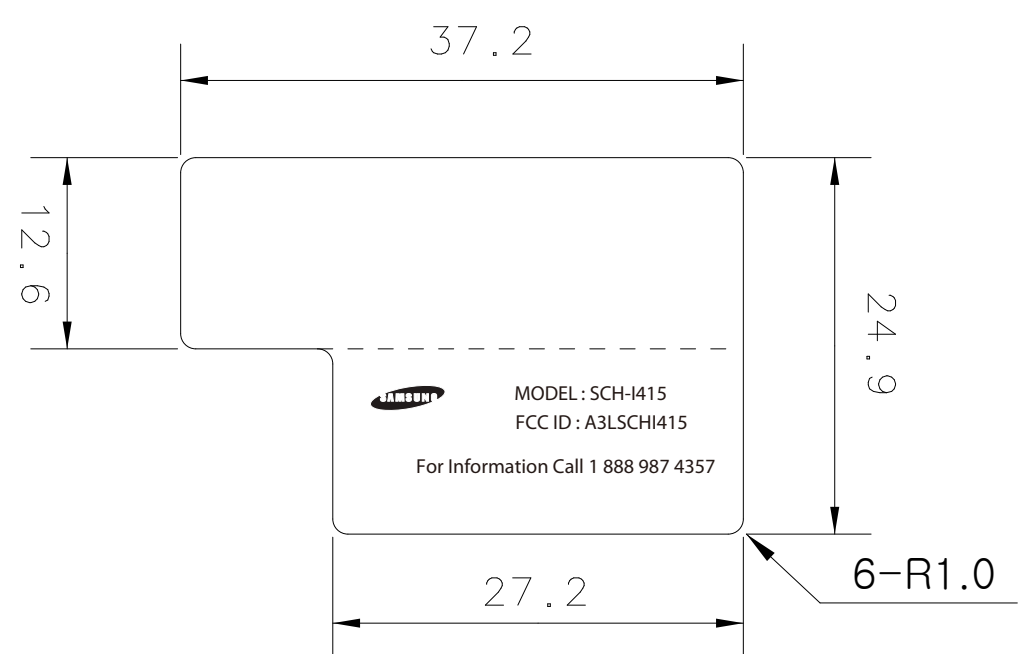


This drawing is property of SEC. Use or copy of this drawing without proper permission from the appropriate technical-document managing department is prohibited.



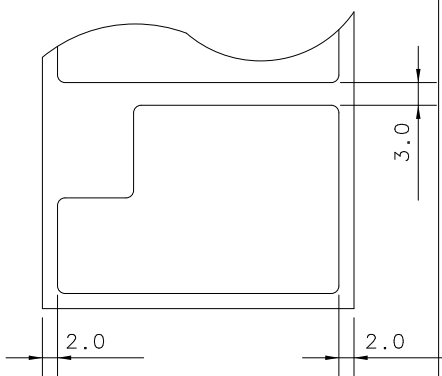
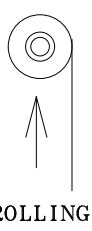
1	2	3	4	5	6	7	8
		Rev. No					

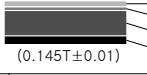



Artword

Technical Description

1. Use FILM provided by SAMSUNG for letter and contents
2. Background color is **WHITE**, letter color is **BLACK** (reverse for SAMSUNG LOGO)
3. Put Back paper on the back side after the adhesive.
4. No blur and spread for letter
5. Proceed with manufacturing process after the approval of R&D Group
6. The spec. of product must be based on approved limit samples.
7. Stock on as a ROLL
8. Follow drawing instruction above for CE or WEEE mark
9. Unify material and color as one color (blue) for glassine paper

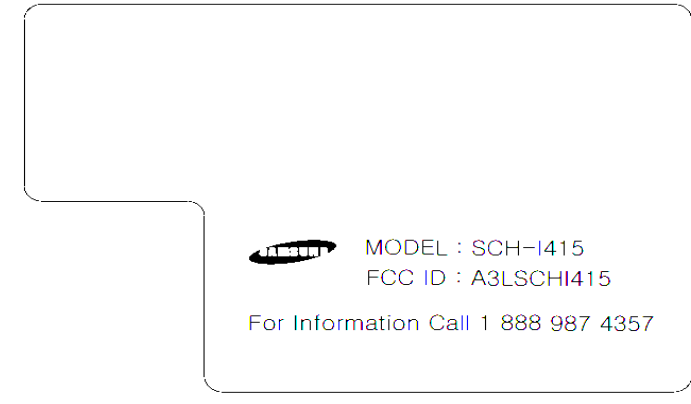


MAT.	 (0.145T±0.01)	PET Laminating 25 micron Adhesive 15 micron White Polypropylene 80 micron Adhesive 25 micron		FIN.	UVP Coating	
TITLE	SCH-I415			LABEL (R)-MAIN		
UNIT	mm	DESIGNED	CHECKED	APPROVED	PROJECTION	
TOLERANCE	+0.0 -0.1	Jaejin Lee	Keonghwan Cho	Junesop Kim		
SCALE	N/S				SHEET NO	1/1
Manufacture	HSINS	120620	120620	120620		
		Doc. CODE				

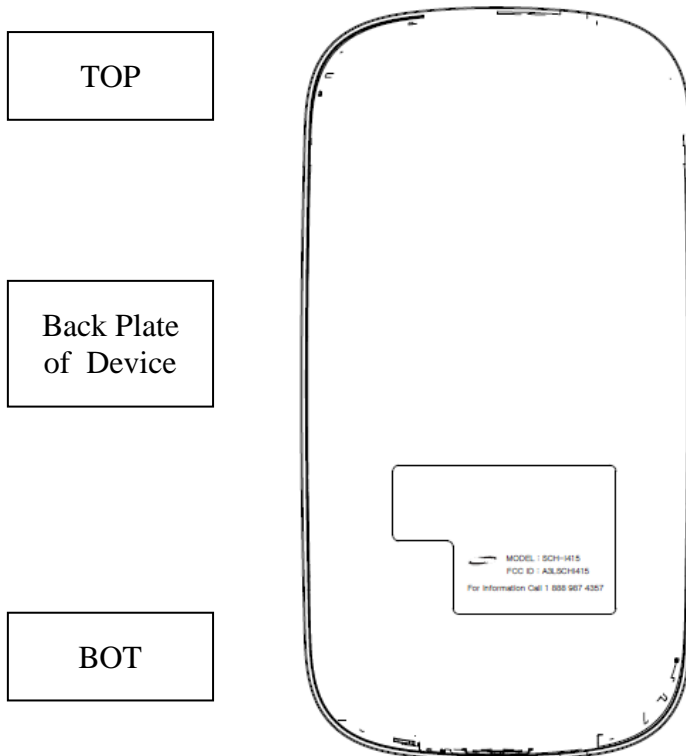
Label and Location

Samsung Phone Model: SCH-I415
FCC ID: A3LSCHI415

Label:



Location:



Phone: Label is placed inside of the battery compartment.