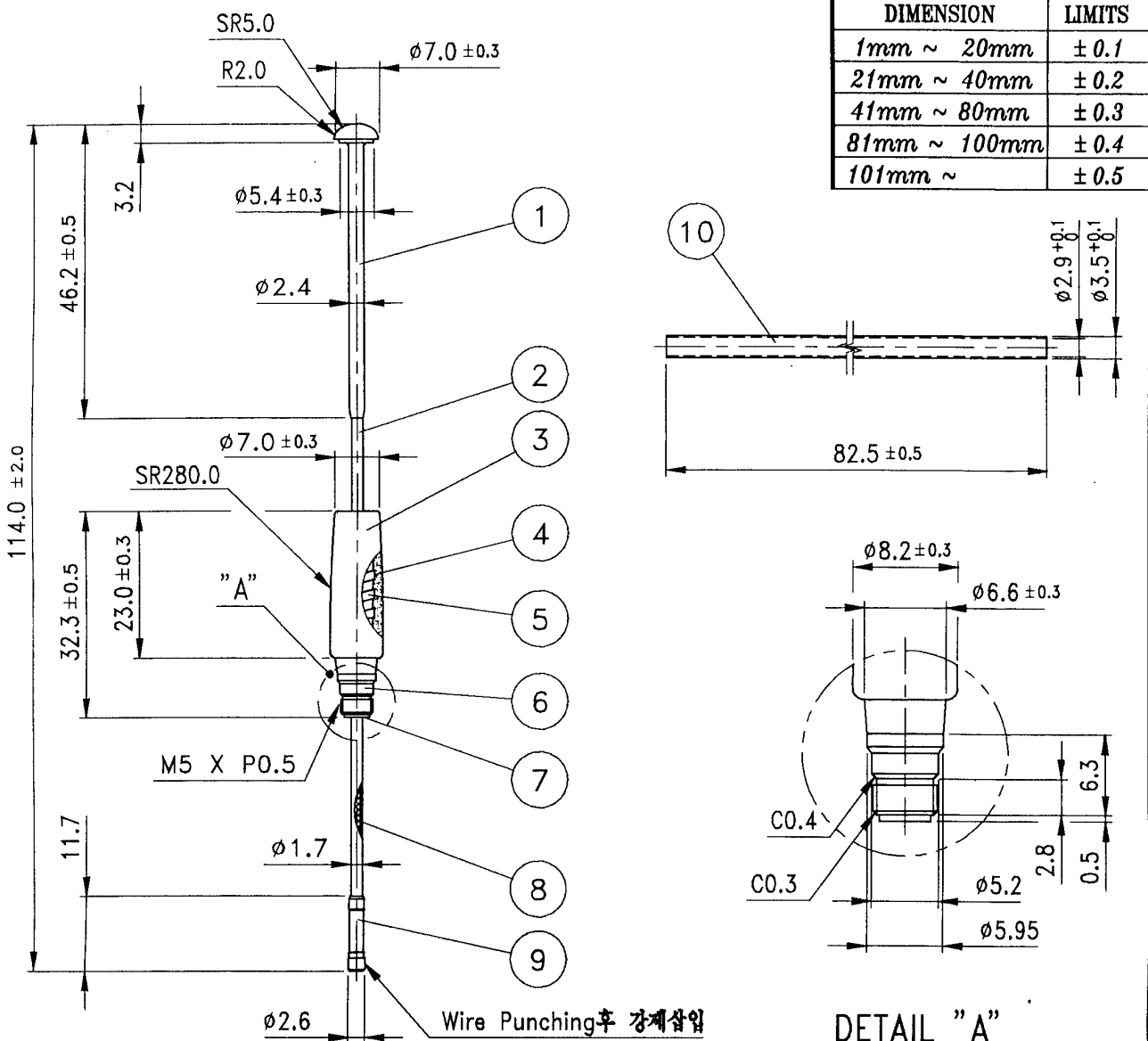


AMEND	MRK.	DATE	REVISION	SIGN



NO.	PARTS NO.	NAME	MATERIAL	Q'TY.	REMARKS
10	TSS-1021	TUBE	P.P	1	COLOR : B/K
9	RSS-1048	METAL ROD	BRASS BSBM2	1	Ni PLATED
8	WSS-1021	WIRE	Ni-Ti	1	φ1.0 X 75.8L
7	RSS-1047	METAL ROD	BRASS BSBM2	1	Ni PLATED
6	RSS-1054	METAL ROD	BRASS BSBM2	1	Ni PLATED
5	ASS-1008	BOBBIN	POLY URETHANE(K-295PCAT)	1	COLOR : BLACK
4	SS-9015	SPRING	STEEL WIRE (φ0.7압연)	1	동도금
3	NSB88A	PIPE	POLY URETHANE(K-295PCAT)	1	COLOR : BLACK
2	TSS-1020	TUBE	URETHANE	1	COLOR : BLACK
1	U-KNOB	KNOB	NYLON 66	1	COLOR : BLACK

DRAW BY 한 미환 99.6.28		CHECK BY 技術 99.6.28 金義孝		APPROVE BY 技術 99.6.28 張應淳		SCALE 1/1	UNIT mm
DRAWING CODE NUMBER		MODEL NAME NSB88A-0800-SS43		PARTS NAME			