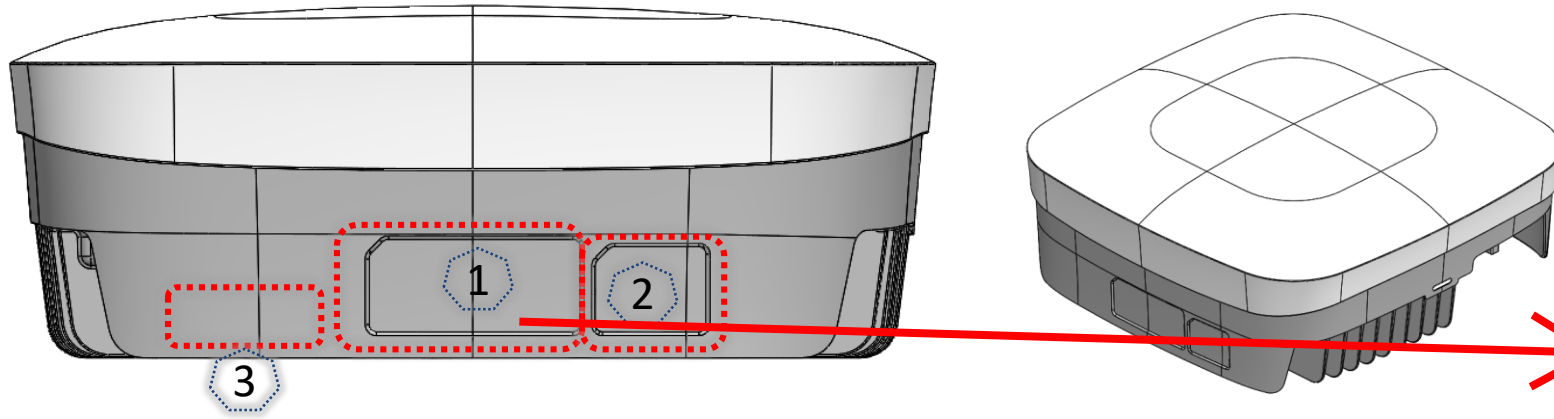


Label & Location



SAMSUNG

Product : RRU (RF2217d)
 Model : RF2217d-D1A
 5, Omokcheon-ro 132beon-gil, Gwonseon-gu, Suwon-si, Gyeonggi-do, Korea
 MADE IN KOREA
 Rating : --- - 48 V ; 1.7 A or --- 57 V ; 1.4 A (PoE) FCC ID : A3LRF2217D-D1A

This device complies with Part 15 of the FCC Rules. Operation is subject to the following two conditions:
 (1) This device may not cause harmful interference, and
 (2) this device must accept any interference received, including interference that may cause undesired operation.

WARNING
Hot Surface

UL LISTED
TCLGS E149091 I.T.E.

Location	Name	Size (mm)	Material	Image
1	Product label	23 x 55	WPET50	
2	Barcode label	29 x 22	White PP[80PP]	
3	Manufacturer Barcode	35*8	Silber Teton	