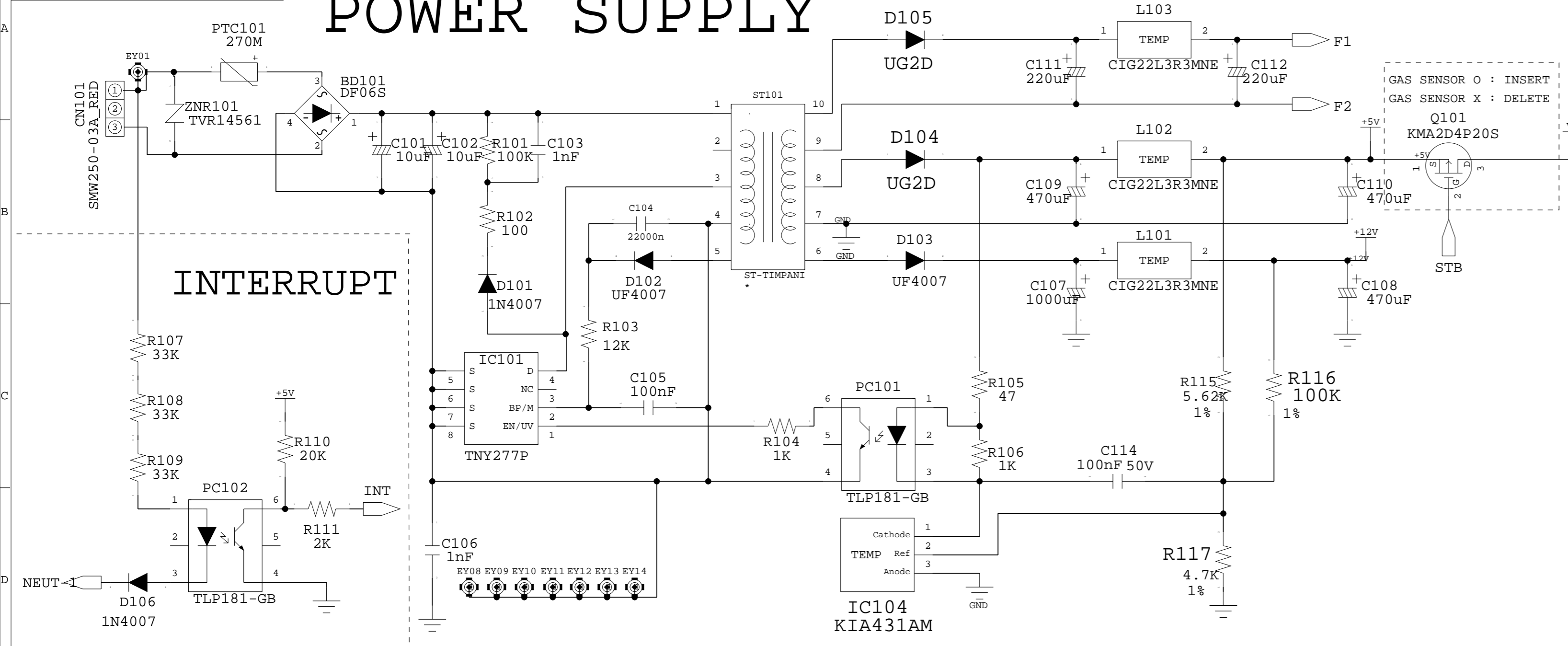
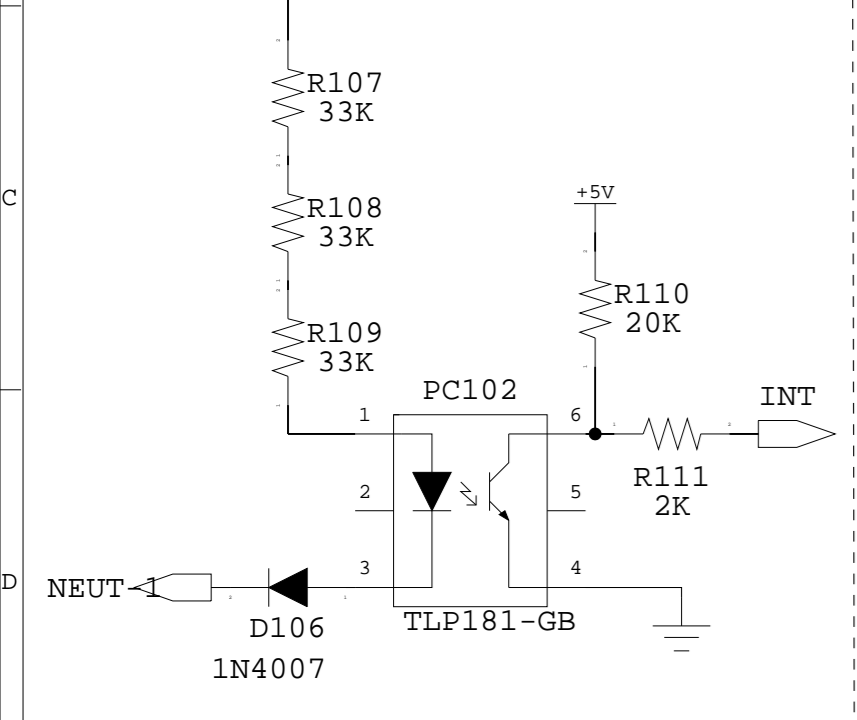


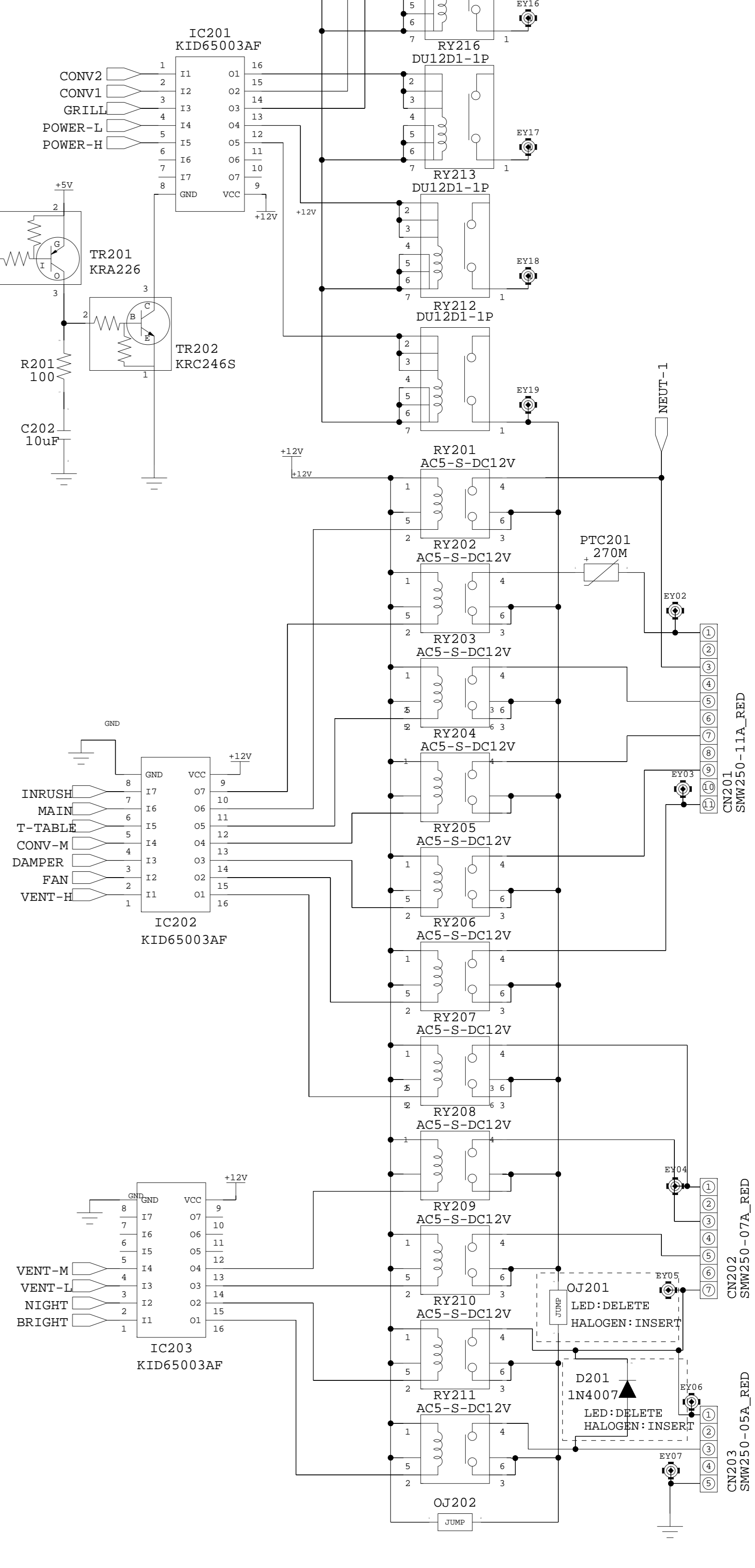
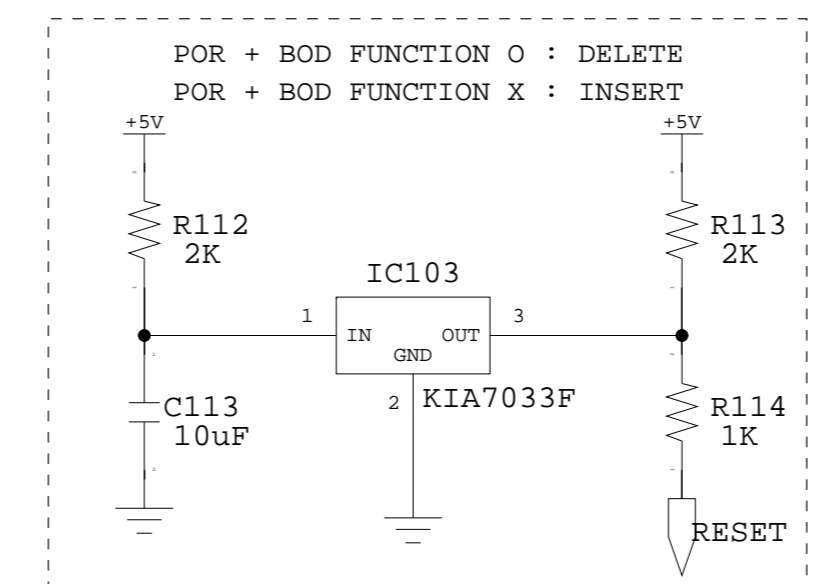
# POWER SUPPLY



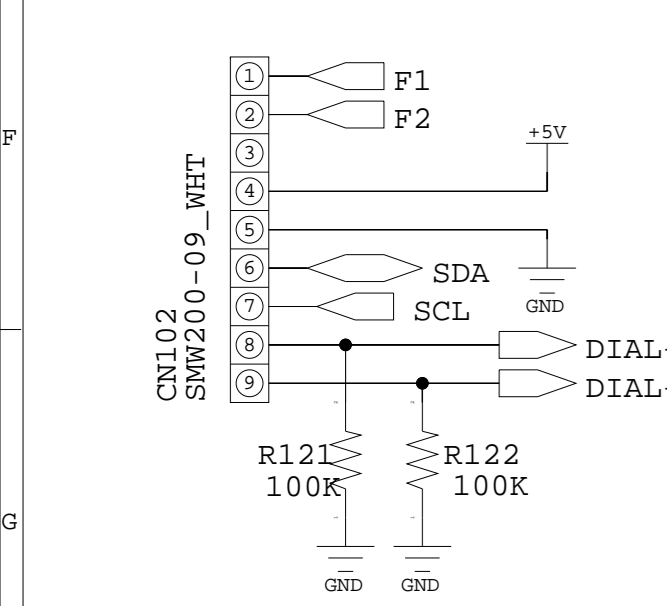
# INTERRUPT



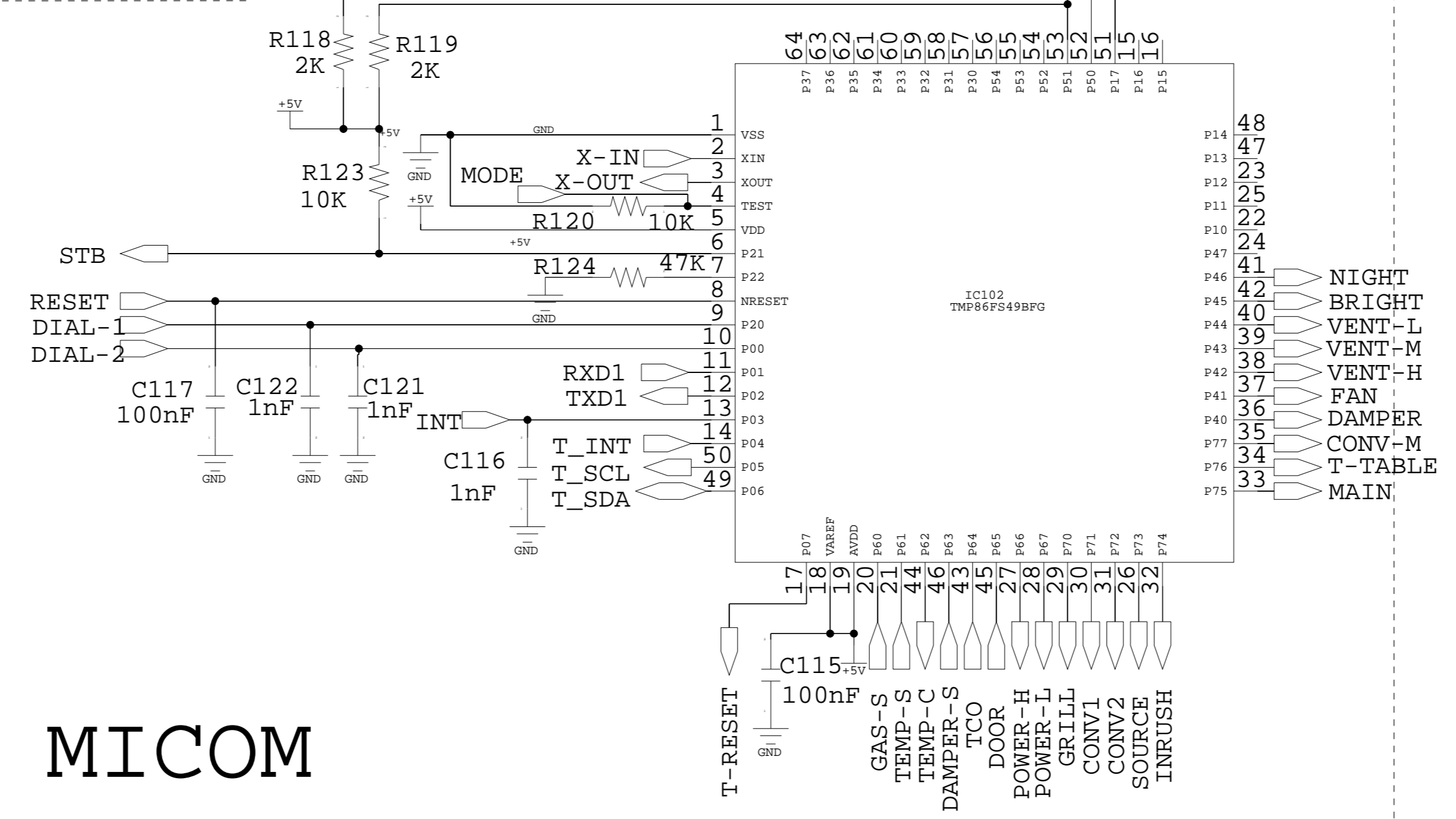
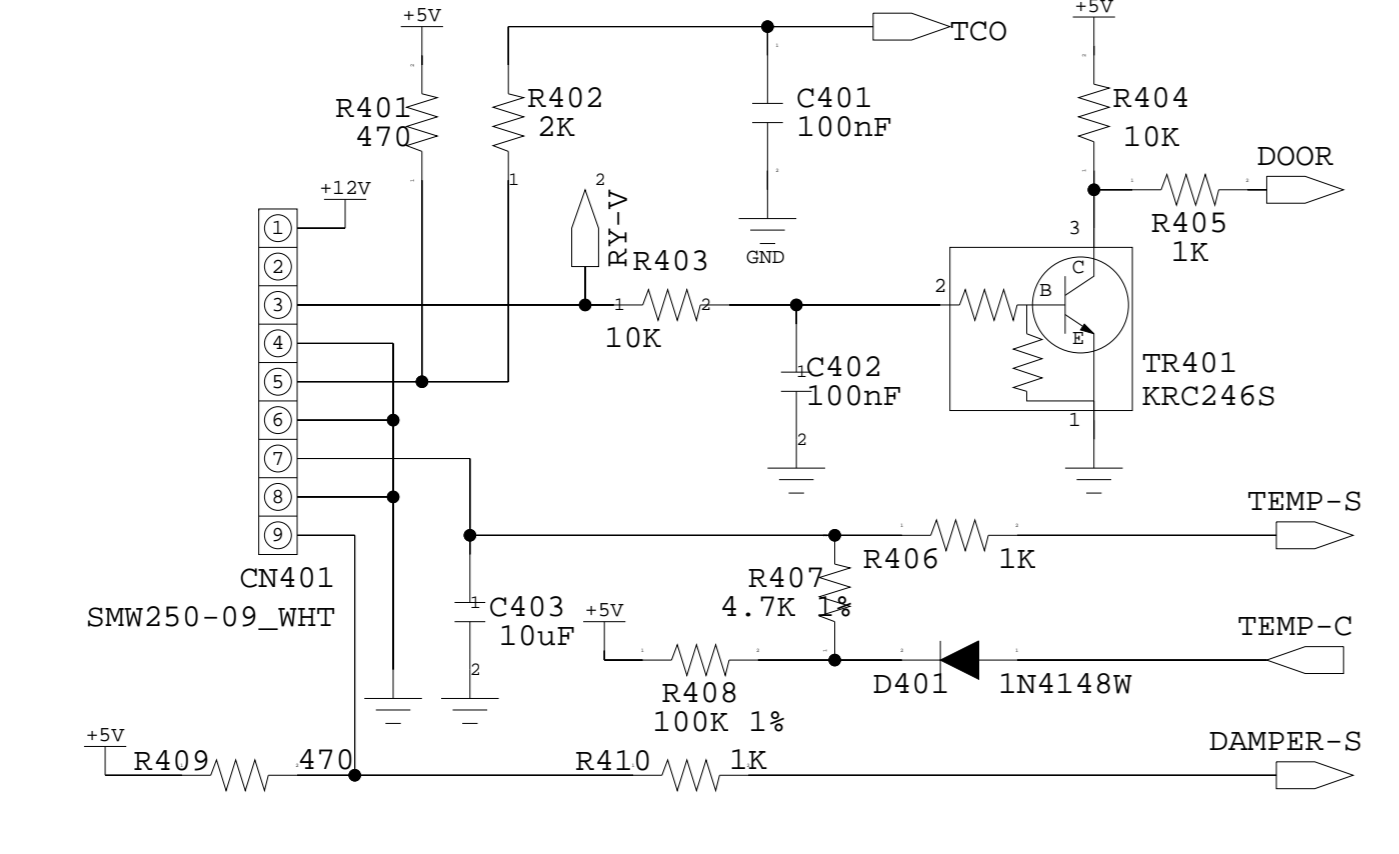
# RELAY CONTROL



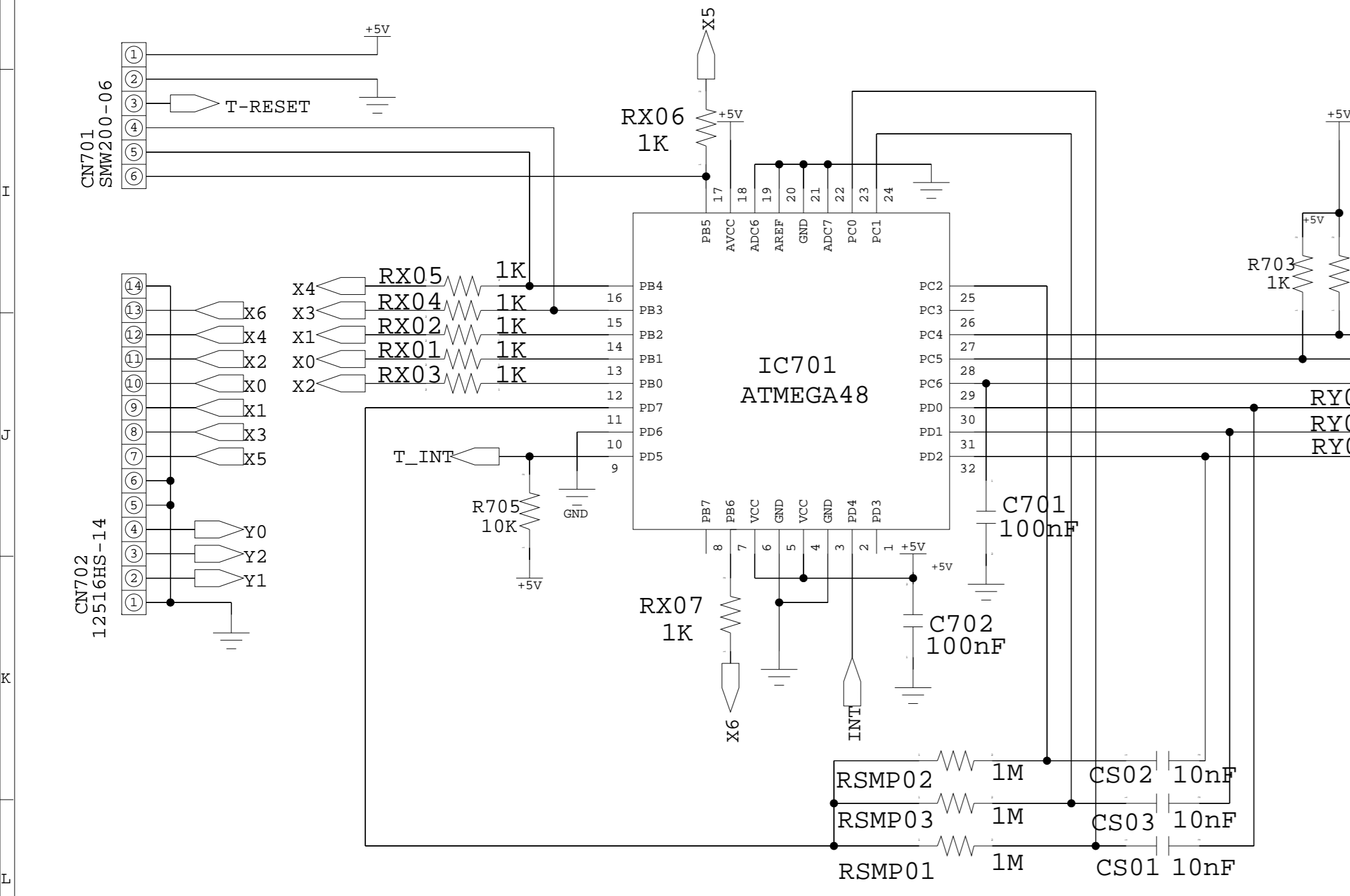
# VFD PBA



# SENSE

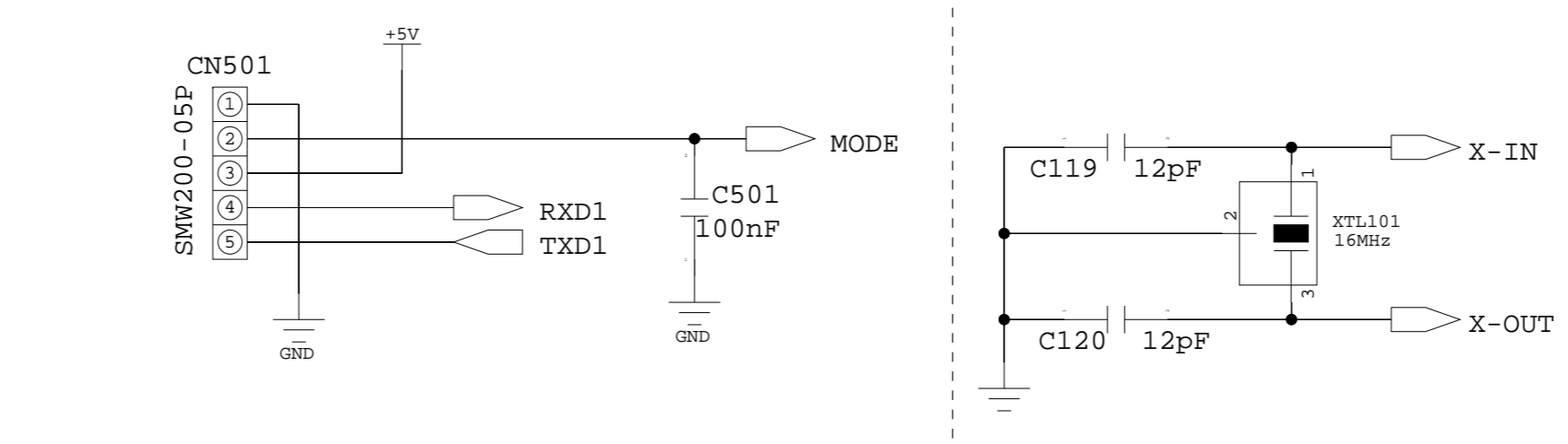


# CAPACITIVE TOUCH

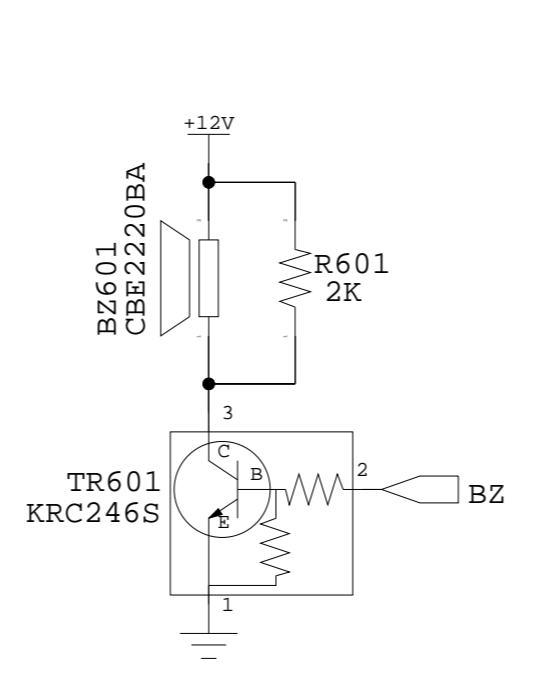


# MICOM

# ON CHIP DEBUGGER OSC



# BUZZER



# GAS SENSOR

