

MODEL OPTION

| MODEL | OPTION 1 | OPTION 2 | OPTION 3 | OPTION 4 | OPTION 5 |
|---------|----------|----------|----------|----------|----------|
| RVM1435 | X | X | X | X | X |
| RVM1625 | O | X | X | X | X |

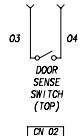
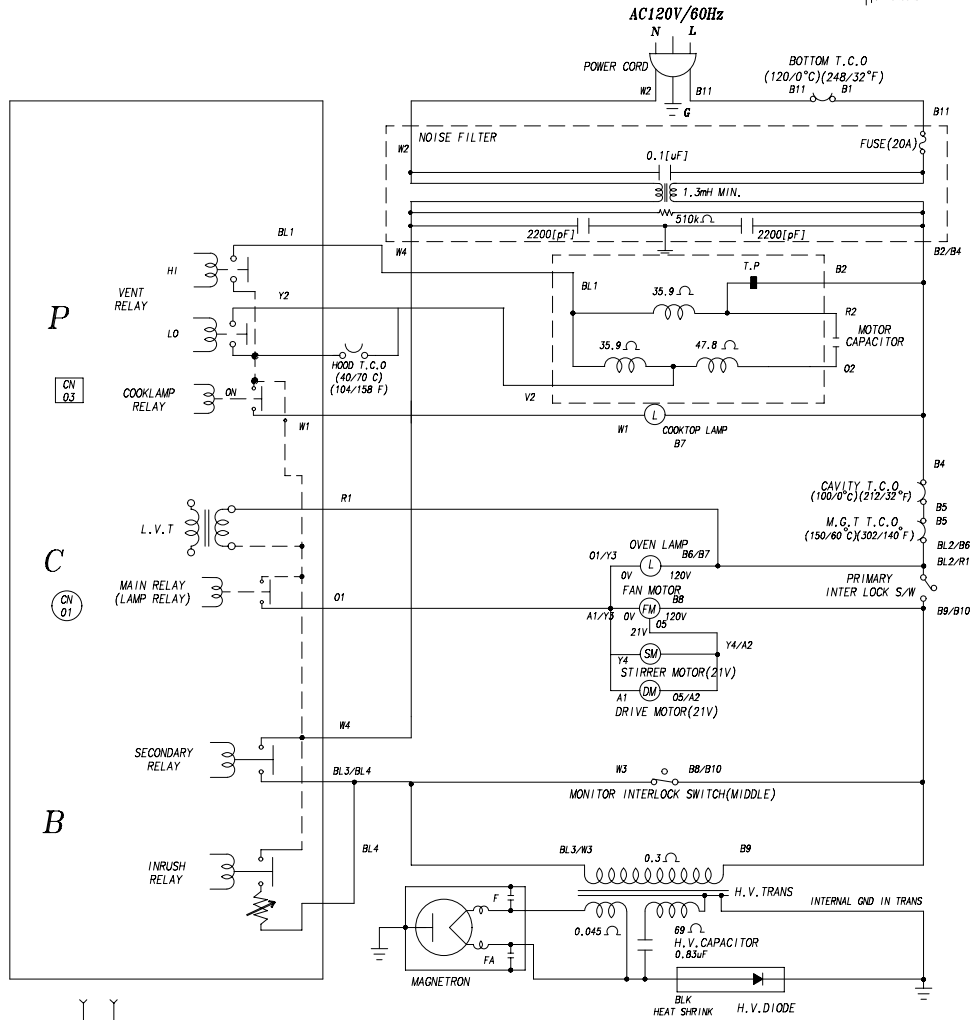
| | |
|---------------------------|---------------------------------|
| ENGINEER RBE KIM | COMPANY NAME Address City |
| DRAWN BY RBE KIM | TITLE D2LED5 |
| QC CHECK MFG ENGR. CHK | REV Drawing Number Sheet 1 of 1 |

SCHEMATIC DIAGRAM

WARNING
POWER MUST BE DISCONNECTED
BEFORE SERVICING THIS APPLIANCE

MODEL NO. : JVM1840DRBB

| COLOR | SYMBOL |
|--------|--------|
| GRAY | GR |
| WHITE | W |
| BLACK | B |
| RED | R |
| BLUE | BL |
| ORANGE | O |
| YELLOW | Y |
| GREEN | G |
| PINK | P |
| AZURE | A |
| VIOLET | V |
| BROWN | BR |



NOTE: DOOR IS OPEN.
PROBE SWITCH IS CLOSED.

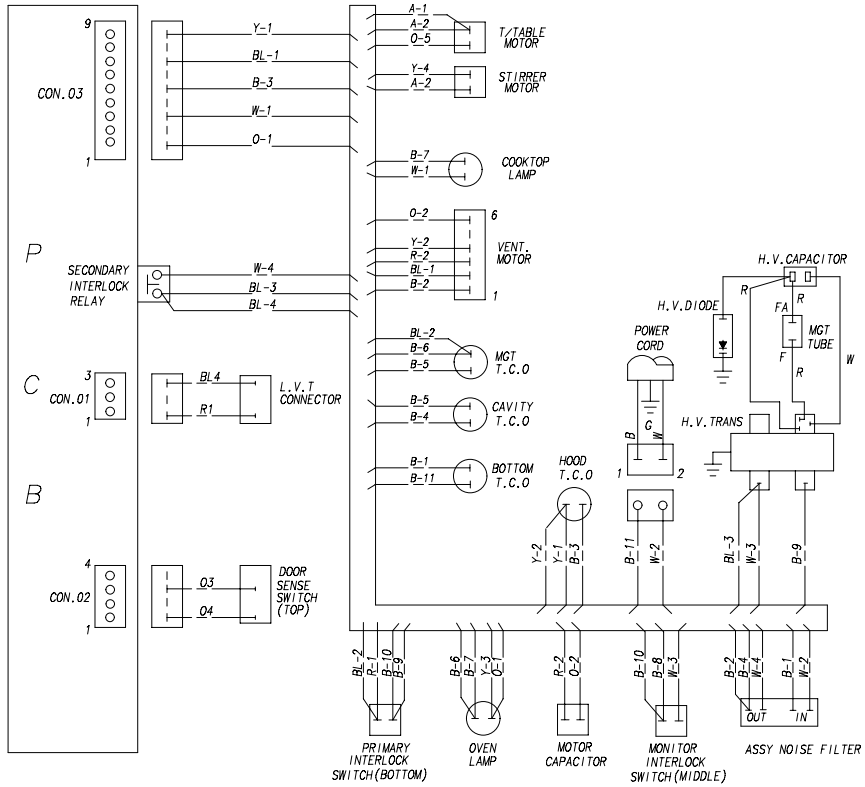
WIRING DIAGRAM

WARNING
POWER MUST BE DISCONNECTED
BEFORE SERVICING THIS APPLIANCE

MODEL NO. : JVM1840DRBB

| COLOR | SYMBOL |
|--------|--------|
| GRAY | GR |
| WHITE | W |
| BLACK | B |
| RED | R |
| BLUE | BL |
| ORANGE | O |
| YELLOW | Y |
| GREEN | G |
| PINK | P |
| AZURE | A |
| VIOLET | V |

—||— GROUND
— — — HARNESS LEADS
——— PARTS LEADS



NOTE: FOR SERVICING REPLACEMENT USE 16GA, 105°C
THERMOPLASTIC COVERED WIRE EXCEPT FOR
HIGH VOLTAGE LEADS OR AS NOTED ON SPECIAL LEADS.

Printed in Malaysia