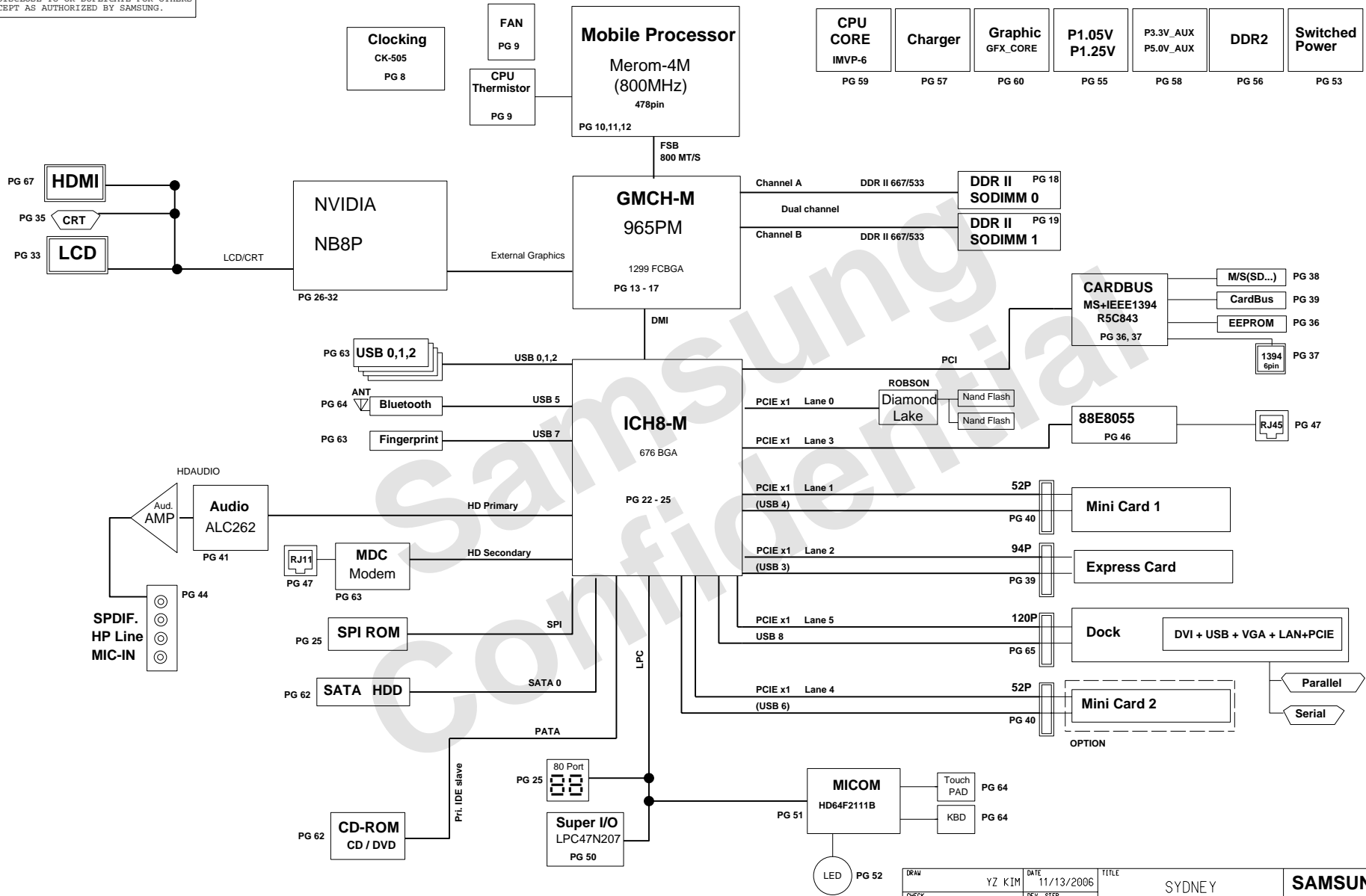


SAMSUNG PROPRIETARY

THIS DOCUMENT CONTAINS CONFIDENTIAL PROPRIETARY INFORMATION THAT IS SAMSUNG ELECTRONICS CO.'S PROPERTY. DO NOT DISCLOSE TO OR DUPLICATE FOR OTHERS EXCEPT AS AUTHORIZED BY SAMSUNG.



DRAW	YZ KIM	DATE	11/13/2006	TITLE	SYDNEY	SAMSUNG ELECTRONICS
CHECK	SW PARK	REV. STEP	PROTO 2			
APPROVAL	BJ LEE	REV	1.0		BLOCK DIAGRAM	PART NO. BA41-0071#A
MODULE CODE		LAST EDIT	November 13, 2006 11:54:58 AM	PAGE	2	OF 69