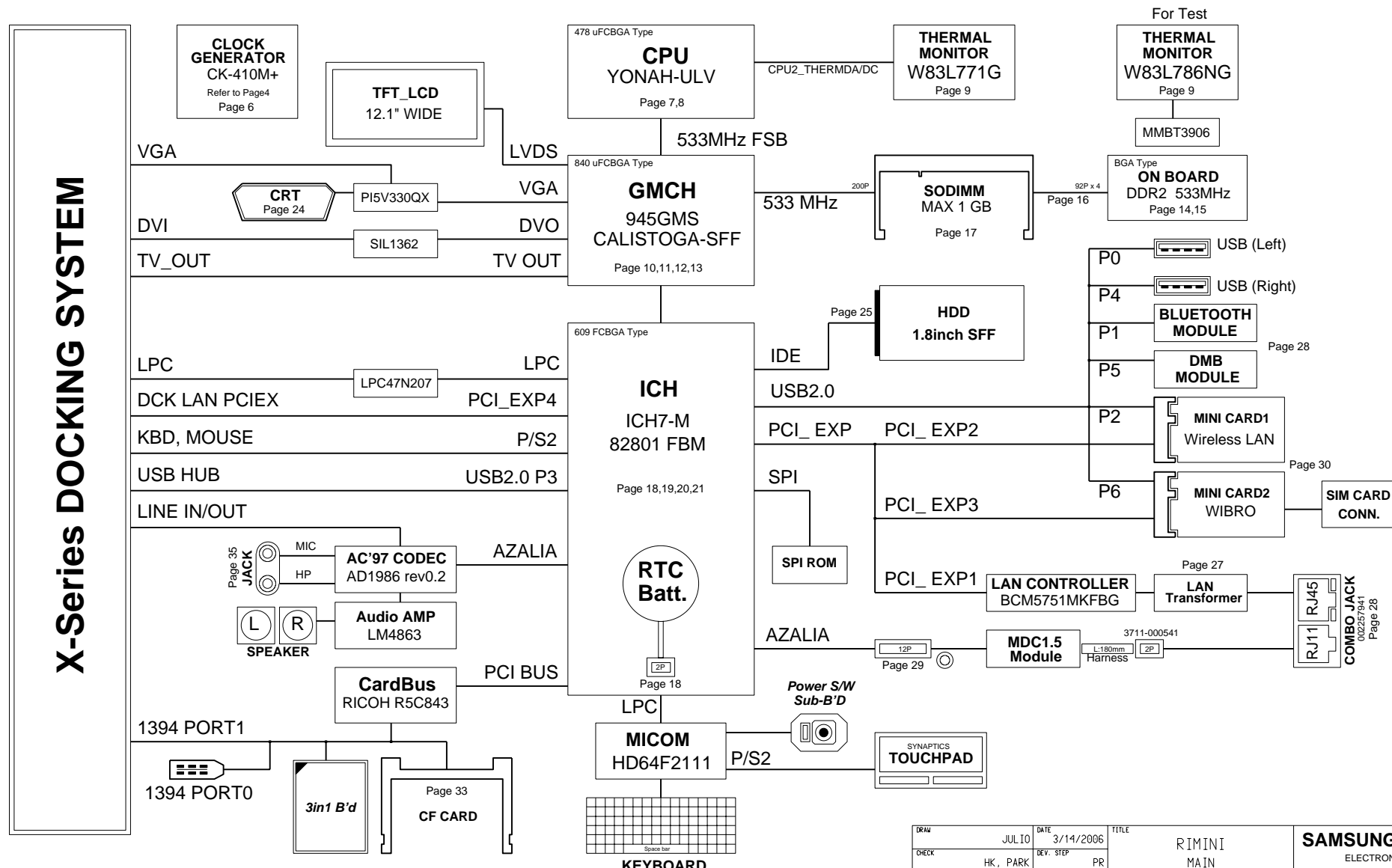


**SAMSUNG PROPRIETARY**  
 THIS DOCUMENT CONTAINS CONFIDENTIAL  
 PROPRIETARY INFORMATION THAT IS  
 SAMSUNG ELECTRONICS CO.'S PROPERTY.  
 DO NOT DISCLOSE TO OR DUPLICATE FOR OTHERS  
 EXCEPT AS AUTHORIZED BY SAMSUNG.

# OPERATION BLOCK DIAGRAM



**X-Series DOCKING SYSTEM**

DRAW	JULIO	DATE	3/14/2006	TITLE	RIMINI MAIN BLOCK DIAGRAM	<b>SAMSUNG</b> ELECTRONICS
CHECK	HK, PARK	DEV. STEP	PR			PART NO. BA41-00XXXX
APPROVAL	JS, EUR	REV	1.0			
MODULE CODE		LAST EDIT	March 14, 2006 12:47:44 AM	PAGE	2 OF 50	