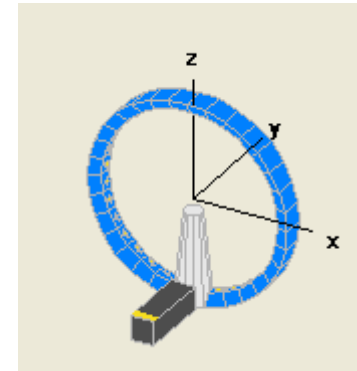
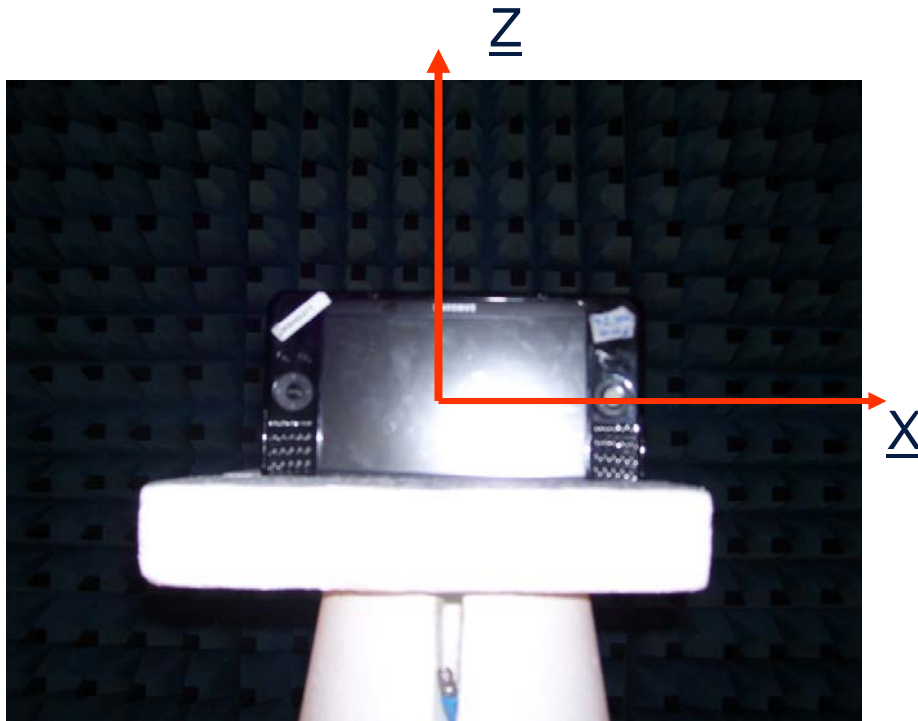


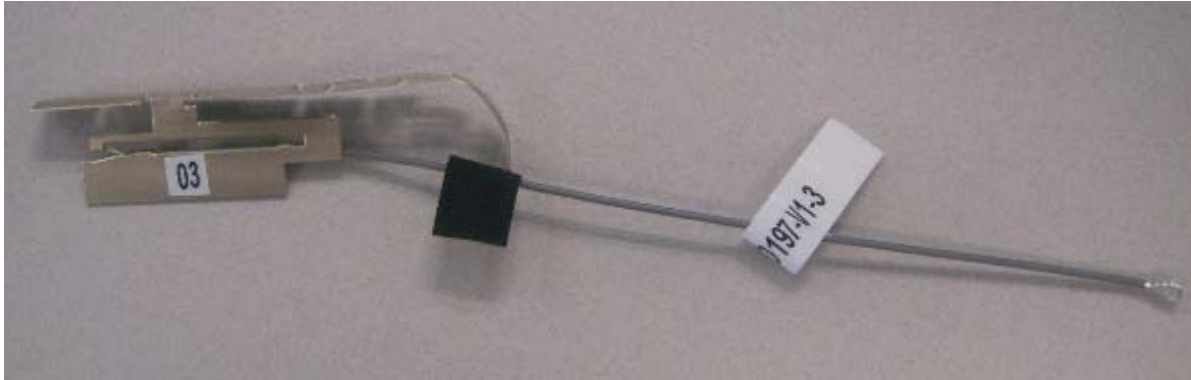
Antenna Spec for Samsung NP-Q1U US Bands
R10197i8 R1
16 August 2007

- Maximum Gain are presented in 3-cuts, measurement has been done in Antenova Anechoic chamber during week 33.
- Coordinator System



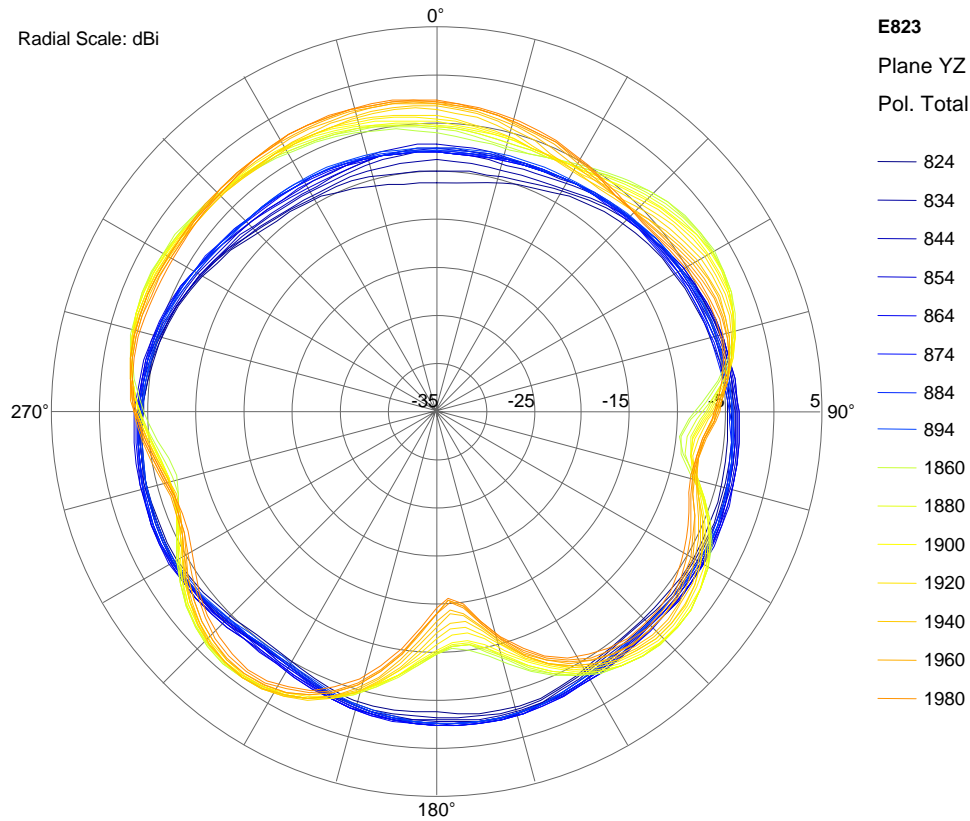
Antenna Photo and Drawing

- Main Antenna Photo



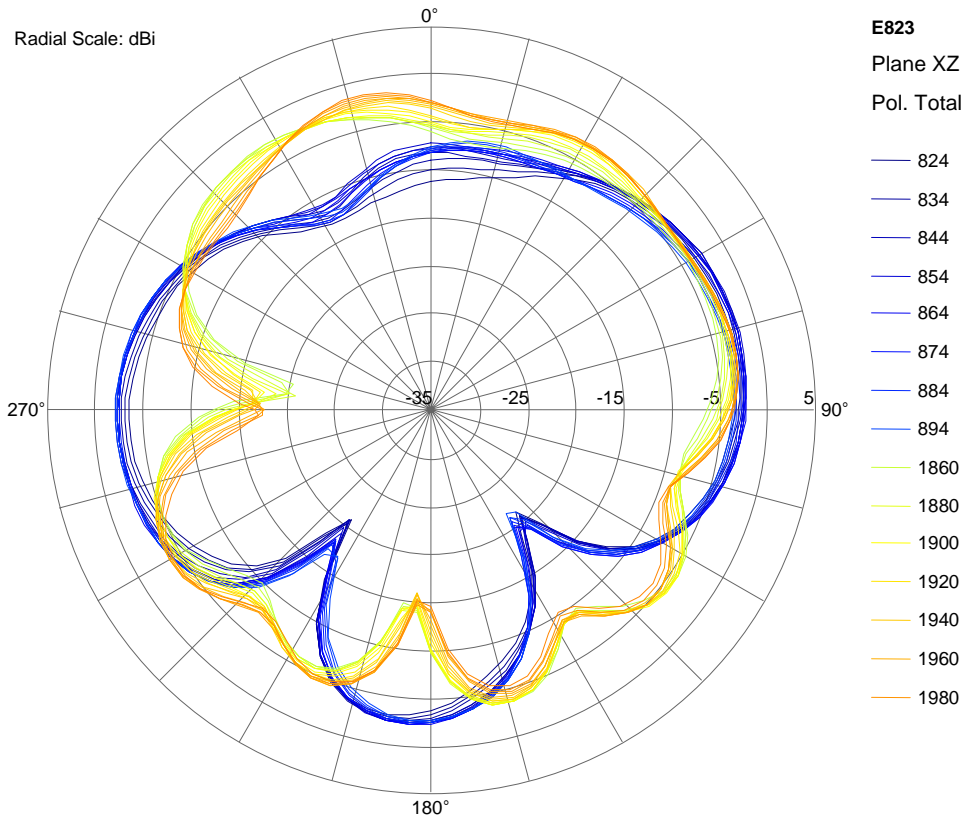
- Main Antenna Dimensioned Drawing:

E1 Plan, Phi = 90°



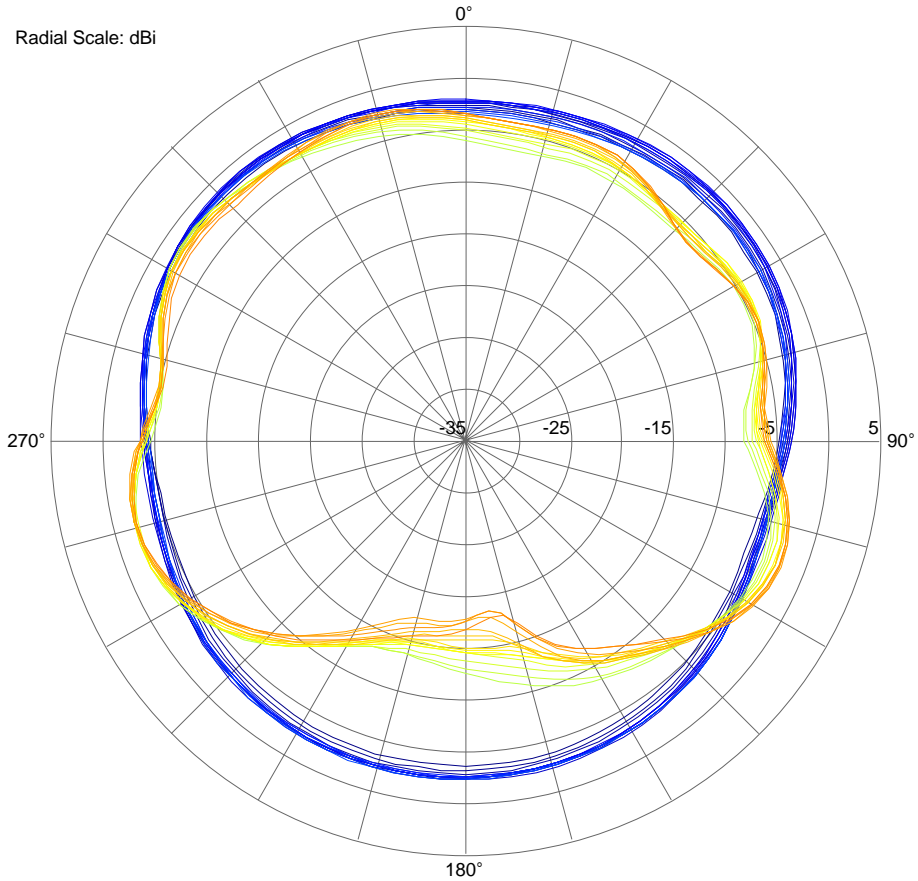
Freq. [MHz]	Peak Gain	Linear Average	Spheric Average
> E823: 10216 - yxu - 16-Aug-2007			
> Plane: YZ - Polarization: Total			
824	-3.1	-5.5	-5.3
829	-2.8	-5.2	-5
834	-2.6	-4.9	-4.8
839	-2.4	-4.7	-4.7
844	-2.3	-4.6	-4.6
850	-2.3	-4.5	-4.4
854	-2.2	-4.4	-4.3
859	-2.3	-4.3	-4.2
864	-2.1	-4.4	-4.3
869	-2.2	-4.5	-4.5
874	-2.2	-4.6	-4.6
879	-2.3	-4.7	-4.6
884	-2.3	-4.7	-4.6
889	-2.3	-4.7	-4.6
894	-2.3	-4.7	-4.7
1850	-0.7	-3.8	-3.5
1860	-0.8	-3.8	-3.4
1870	-0.7	-3.8	-3.4
1880	-0.8	-3.8	-3.4
1890	-0.9	-3.8	-3.5
1900	-0.9	-3.8	-3.5
1910	-1	-3.9	-3.6
1920	-0.9	-4	-3.7
1930	-0.7	-4	-3.8
1940	-0.8	-4.1	-3.9
1950	-0.8	-4	-3.9
1960	-1.2	-4.1	-4
1970	-1.2	-4.1	-4
1980	-1.5	-4.2	-4.2
1990	-1.8	-4.4	-4.4
Mean:	-1.6	-4.3	-4.2

E2 Plan, Phi= 0°



Freq. [MHz]	Peak Gain	Linear Average	Spheric Average
> E823: 10216 - yxu - 16-Aug-2007			
> Plane: XZ - Polarization: Total			
824	-2.6	-6.1	-5.6
829	-2.3	-5.7	-5.2
834	-2.1	-5.4	-4.9
839	-2	-5.1	-4.7
844	-2	-5	-4.6
850	-1.8	-4.9	-4.4
854	-2	-5	-4.6
859	-2	-5	-4.5
864	-1.9	-4.9	-4.5
869	-2.1	-5.1	-4.6
874	-2.1	-5.2	-4.7
879	-2.3	-5.3	-4.9
884	-2.3	-5.4	-5
889	-2.3	-5.4	-5
894	-2.2	-5.4	-5
1850	-2.5	-5.7	-5.7
1860	-2.5	-5.5	-5.5
1870	-2.6	-5.4	-5.4
1880	-2.7	-5.3	-5.3
1890	-2.9	-5.2	-5.3
1900	-2.8	-5.1	-5.2
1910	-2.7	-5.1	-5.2
1920	-2.6	-5.1	-5.2
1930	-2.6	-5	-5.2
1940	-2.4	-5	-5.2
1950	-2.1	-4.9	-5.1
1960	-2	-4.9	-5.1
1970	-1.8	-4.9	-5.1
1980	-1.6	-5	-5.2
1990	-1.4	-5.1	-5.4
Mean:	-2.2	-5.2	-5

H Plan, Theta= 90°



E823

Plane XY

Pol. Total

- 824
- 834
- 844
- 854
- 864
- 874
- 884
- 894
- 1860
- 1880
- 1900
- 1920
- 1940
- 1960
- 1980

Freq. [MHz]	Peak Gain	Linear Average	Spheric Average
> E823: 10216 - yxu - 16-Aug-2007			
> Plane: XY - Polarization: Total			
824	-2	-3.6	-3.7
829	-1.5	-3.2	-3.4
834	-1.4	-3	-3.2
839	-1.3	-2.7	-2.9
844	-1.4	-2.6	-2.8
850	-1.2	-2.5	-2.7
854	-1.2	-2.5	-2.7
859	-1	-2.5	-2.7
864	-1	-2.5	-2.7
869	-1.2	-2.7	-2.9
874	-1.5	-2.8	-3
879	-1.7	-2.9	-3.1
884	-1.6	-3	-3.1
889	-1.6	-3	-3.1
894	-1.8	-3	-3.1
1850	-1.8	-5.4	-4.8
1860	-1.8	-5.3	-4.7
1870	-1.9	-5.1	-4.6
1880	-2	-5.1	-4.6
1890	-2.2	-5.1	-4.6
1900	-2.1	-4.9	-4.5
1910	-2.1	-4.9	-4.5
1920	-2.1	-4.9	-4.5
1930	-2.1	-4.9	-4.4
1940	-2.2	-4.9	-4.4
1950	-2	-4.8	-4.3
1960	-2.1	-4.8	-4.4
1970	-2.1	-4.8	-4.4
1980	-2.2	-4.9	-4.5
1990	-2.4	-5	-4.6
Mean:	-1.7	-3.8	-3.7