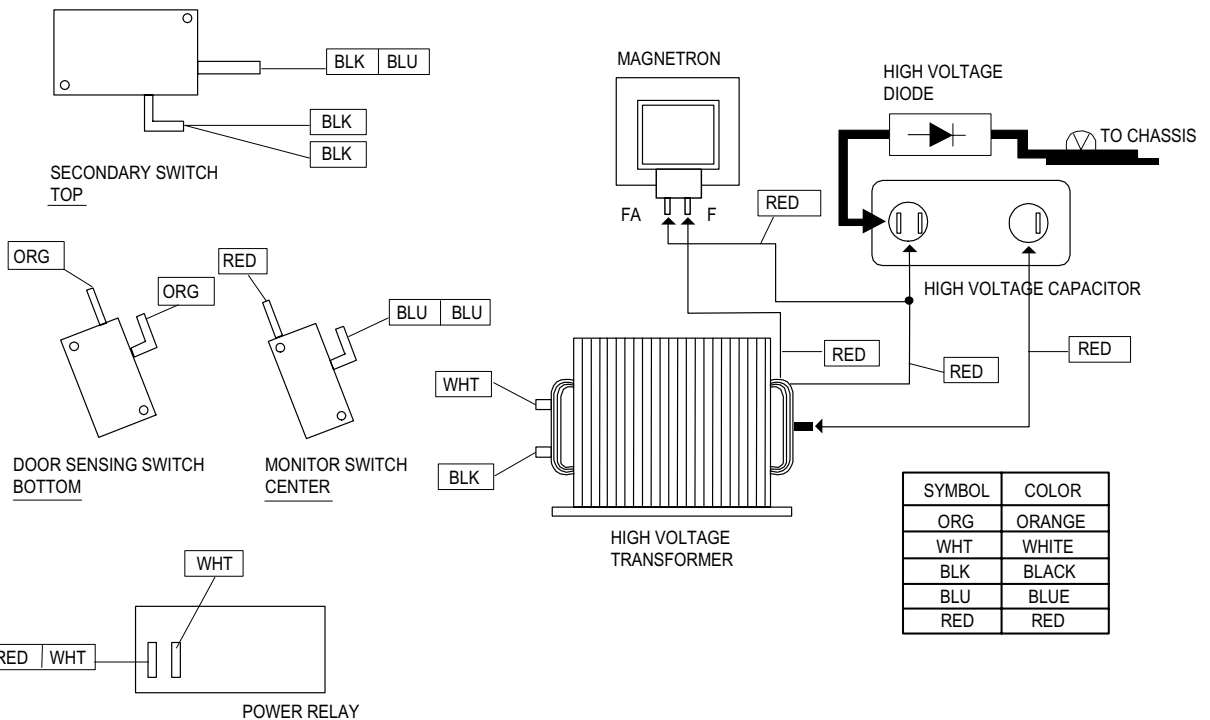
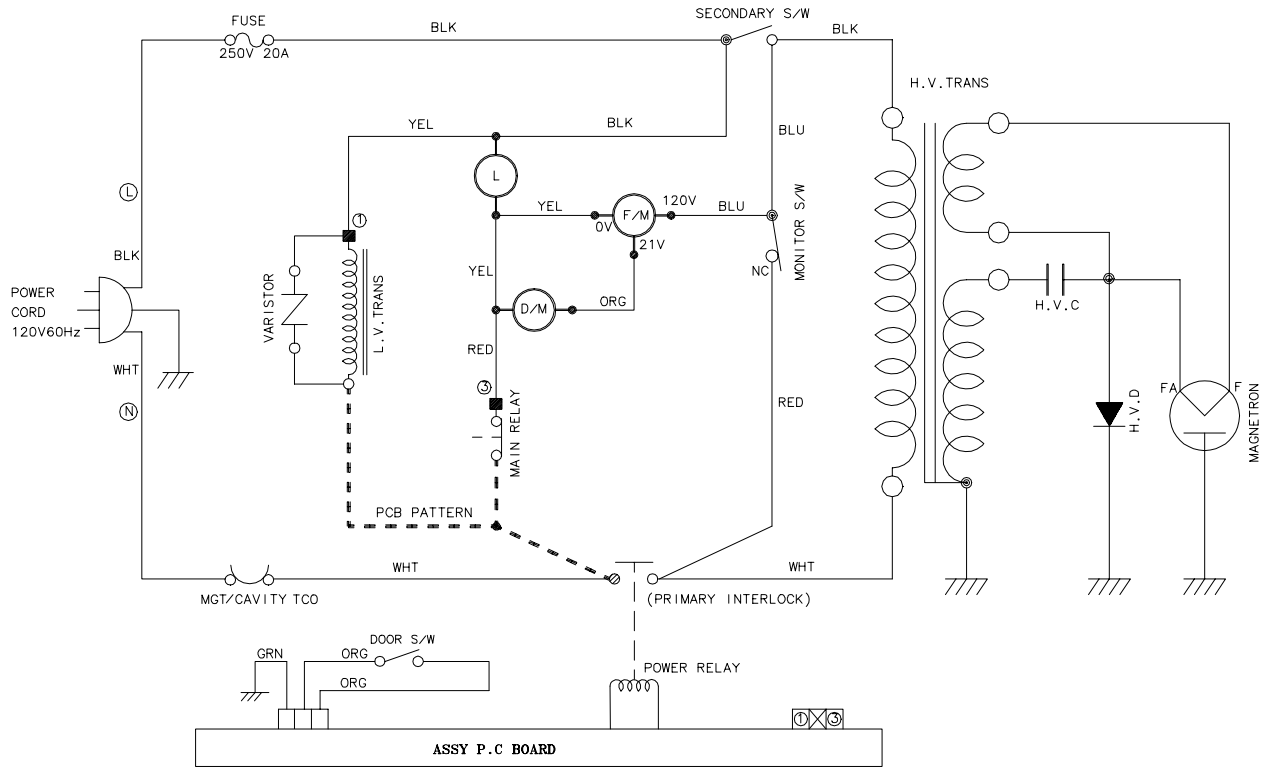


Block Diagrams

NOTE: CIRCUIT SHOWN WITH DOOR IS OPENED POSITION.
 NOTE: FOR SERVICE REPLACEMENT USE 16 GA 105° C
 THERMOPLASTIC COVERED WIRE EXCEPT
 FOR HIGH VOLTAGE LEADS OR AS NOTED ON SPECIAL LEADS.

WARNING
 POWER MUST BE DISCONNECTED
 BEFORE SERVICING THIS APPLIANCE



SYMBOL	COLOR
ORG	ORANGE
WHT	WHITE
BLK	BLACK
BLU	BLUE
RED	RED