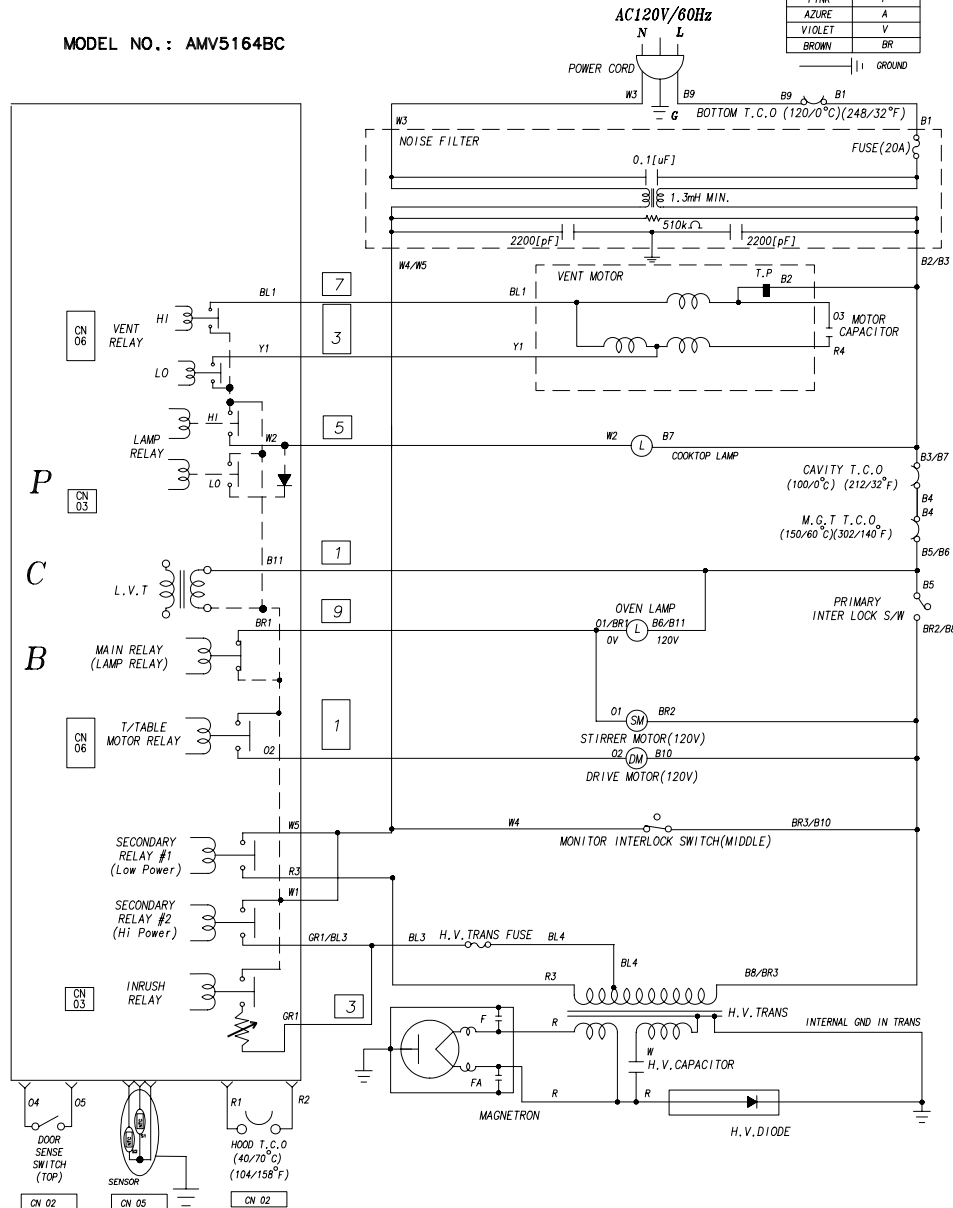


SCHEMATIC DIAGRAM

WARNING
POWER MUST BE DISCONNECTED
BEFORE SERVICING THIS APPLIANCE.

MODEL NO.: AMV5164BC

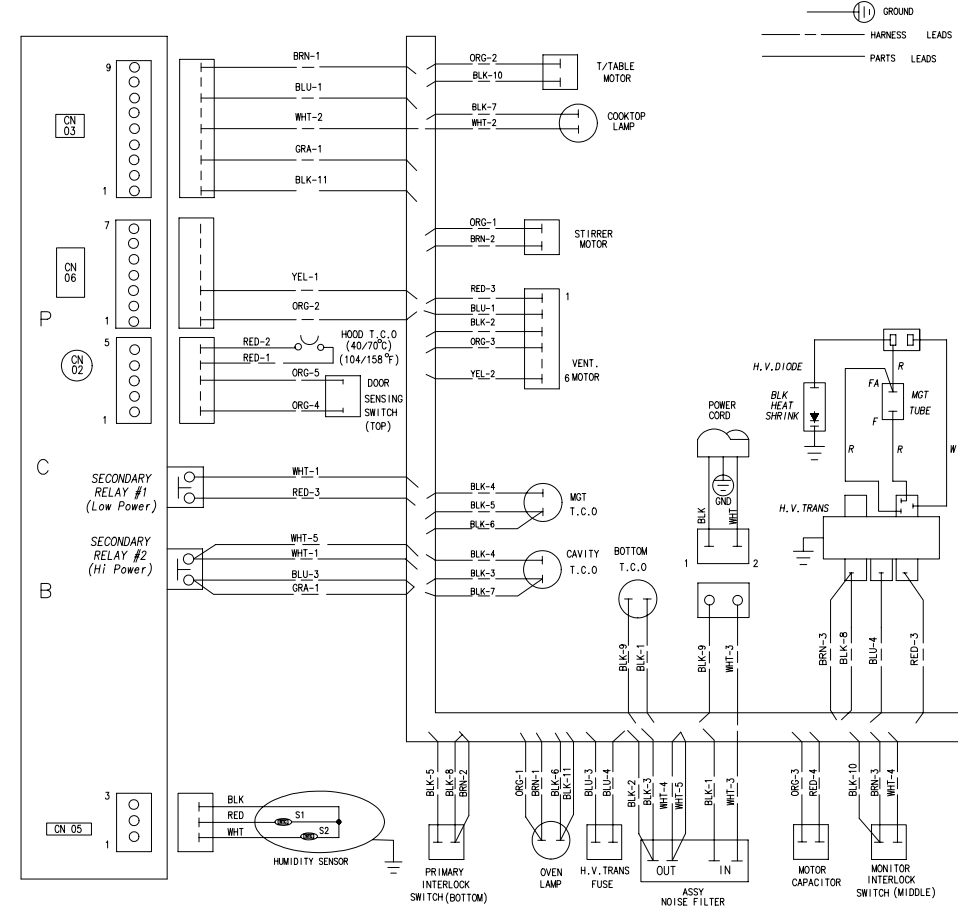


COLOR	SYMBOL
GRAY	GR
WHITE	W
BLACK	B
RED	R
BLUE	BL
ORANGE	O
YELLOW	Y
GREEN	G
PINK	P
AZURE	A
VIOLET	V
BROWN	BR

WIRING DIAGRAM

WARNING
POWER MUST BE DISCONNECTED
BEFORE SERVICING THIS APPLIANCE.

MODEL NO.: AMV5164BC



COLOR	SYMBOL
GRAY	GRA
WHITE	WHT
BLACK	BLK
RED	RED
BLUE	BLU
ORANGE	ORG
YELLOW	YEL
GREEN	GRN
PINK	PIN
AZURE	AZU
VIOLET	VIL

— (11) GROUND
--- HARNESS LEADS
--- PARTS LEADS

NOTE: FOR SERVICING REPLACEMENT USE 16GA, 105°C
THERMOPLASTIC COVERED WIRE EXCEPT FOR
HIGH VOLTAGE LEADS OR AS NOTED ON SPECIAL LEADS.

Printed in Malaysia

